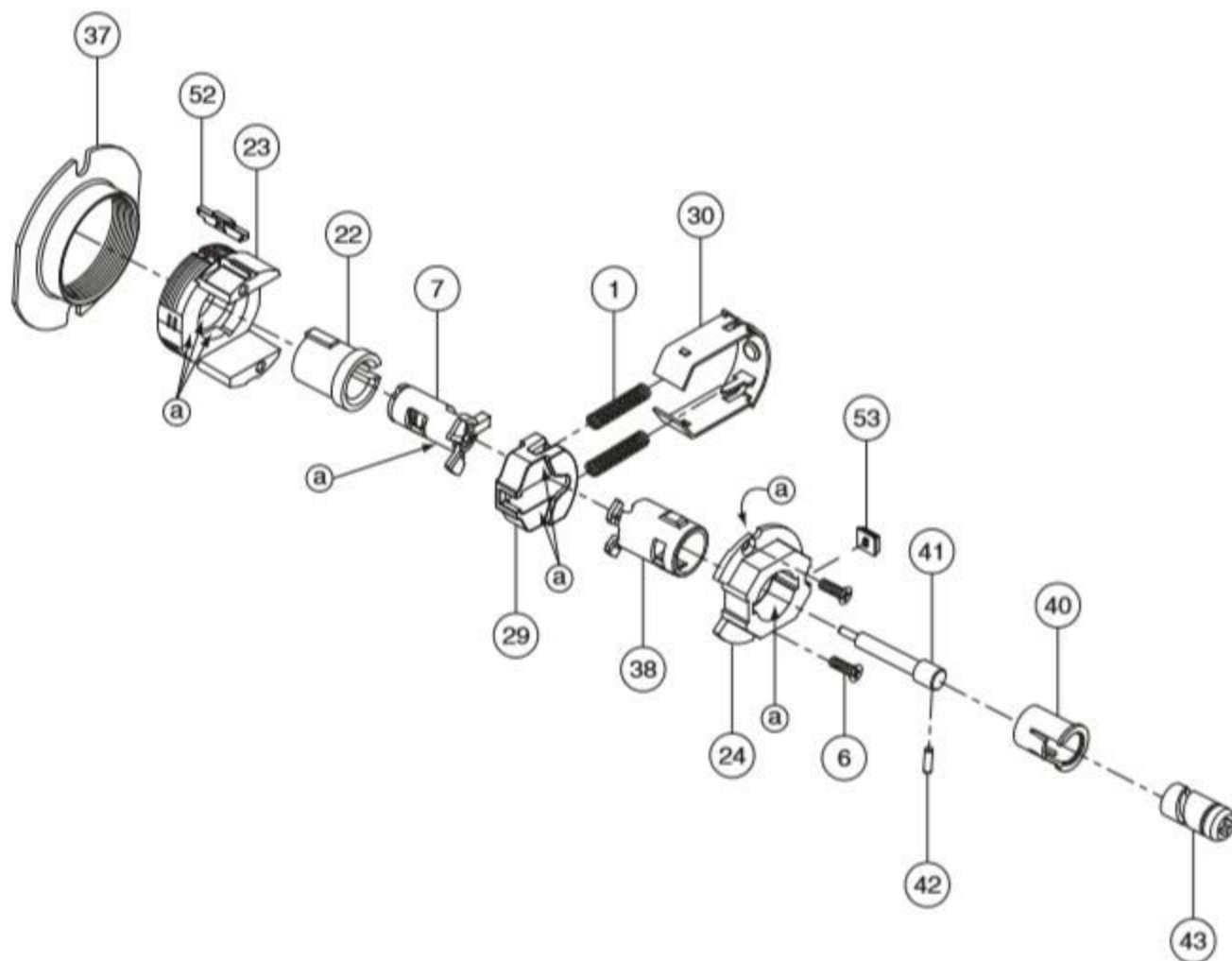


Vestibule lock

ND60



(a) Apply light film of 100% synthetic grease on surfaces with brush.

No.	Description	Part number
1	Slide spring	C503-019
6	Chassis screw	L583-454
7	Keycam assembly	N123-007
22	Spindle	N523-013
23	Outside housing	24088544
24	Inside hub	24085037
29	Slide	N523-149
30	Slide clip	N523-025

No.	Description	Part number
37	Adjustment plate	N523-054
38	Spindle	N523-056
40	Plunger sleeve	N523-063
41	Plunger	N523-064
42	Cam pin	N523-065
43	Cam	N523-066
52	Gauge insert	23988066
53	Insert, inside hub	N523-160*

* Not sold separately as a part.