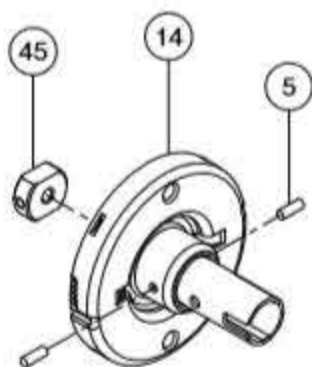


# Single dummy trim

## ND170



No.	Description	Part number
5	Spindle pin	C604-340
14	Spring cage assembly	N123-019

No.	Description	Part number
45	Dummy insert	N523-069

For mounting two ND170 as double trim, see page 57.