



Door and Jamb Preparation for Schlage Hardware

LOCK SERIES INDEX OF TEMPLATE SHEETS

H-Series Locks		Door			Template Number	
Function	Description	Door Edge		Door Thickness	Wood or Composite	Metal
		Flat	Bev.			
H110	1" (25mm) Faceplate, 7/8" (22mm) housing	x	x	1 3/8" - 1 3/4" (35mm-44mm)	H496	H871
H153	1" (25mm) Faceplate, circular drive-in	x		1 3/8" - 1 3/4" (35mm-44mm)	H498	
H160	1 1/8" (29mm) Faceplate, 1" (25mm) housing	x	x	1 3/8" - 1 3/4" (35mm-44mm)	H686	H872
H180	1" (25mm) Faceplate, 1/4" (6mm) radius round corner	x		1 3/8" - 1 3/4" (35mm-44mm)	H688	
H185	1" (25mm) Faceplate, 1/4" (6mm) radius round corner	x		1 3/8" - 1 3/4" (35mm-44mm)	H688	
H110H	1" (25mm) Faceplate, 7/8" (22mm) housing	x	x	1 3/8" - 1 3/4" (35mm-44mm)	H769	H873
H153H	1" (25mm) Faceplate, circular, drive-in	x		1 3/8" - 1 3/4" (35mm-44mm)	H771	
H180H	1 1/8" (29mm) Faceplate, 1" (25mm) housing	x	x	1 3/8" - 1 3/4" (35mm-44mm)	H772	H874
H185H	1" (25mm) Faceplate, 1/4" (6mm) radius round corner	x		1 3/8" - 1 3/4" (35mm-44mm)	H774	
H170	Inside dummy trim, surface mounted			Various	H583	
H193	Pair dummy trim, grip handle			1 3/8" - 1 3/4" (35mm-44mm)	H798	H875

Note:

Whenever backset options are listed at the bottom of a template sheet, backset must be indicated by the suffix letter as follows:

A = 1 3/4" (44mm) backset B = 2" (51mm) backset C = 2 3/8" (60mm) backset D = 2 3/4" (70mm) backset

E = 3 3/4" (95mm) backset F = 5" (127mm) backset G = Other (specify)

Example: H496-C (H-Series lock template #496 with 2 3/8" (60mm) backset)

H-Series Standard Strike		Jamb	
Number	Description	Template Number	
		Wood	Metal
10-250	10-055 x 10-001 Combination	J907	J908

Note:

See strike template index for optional strikes.

H110 H180
H153 H185
H160

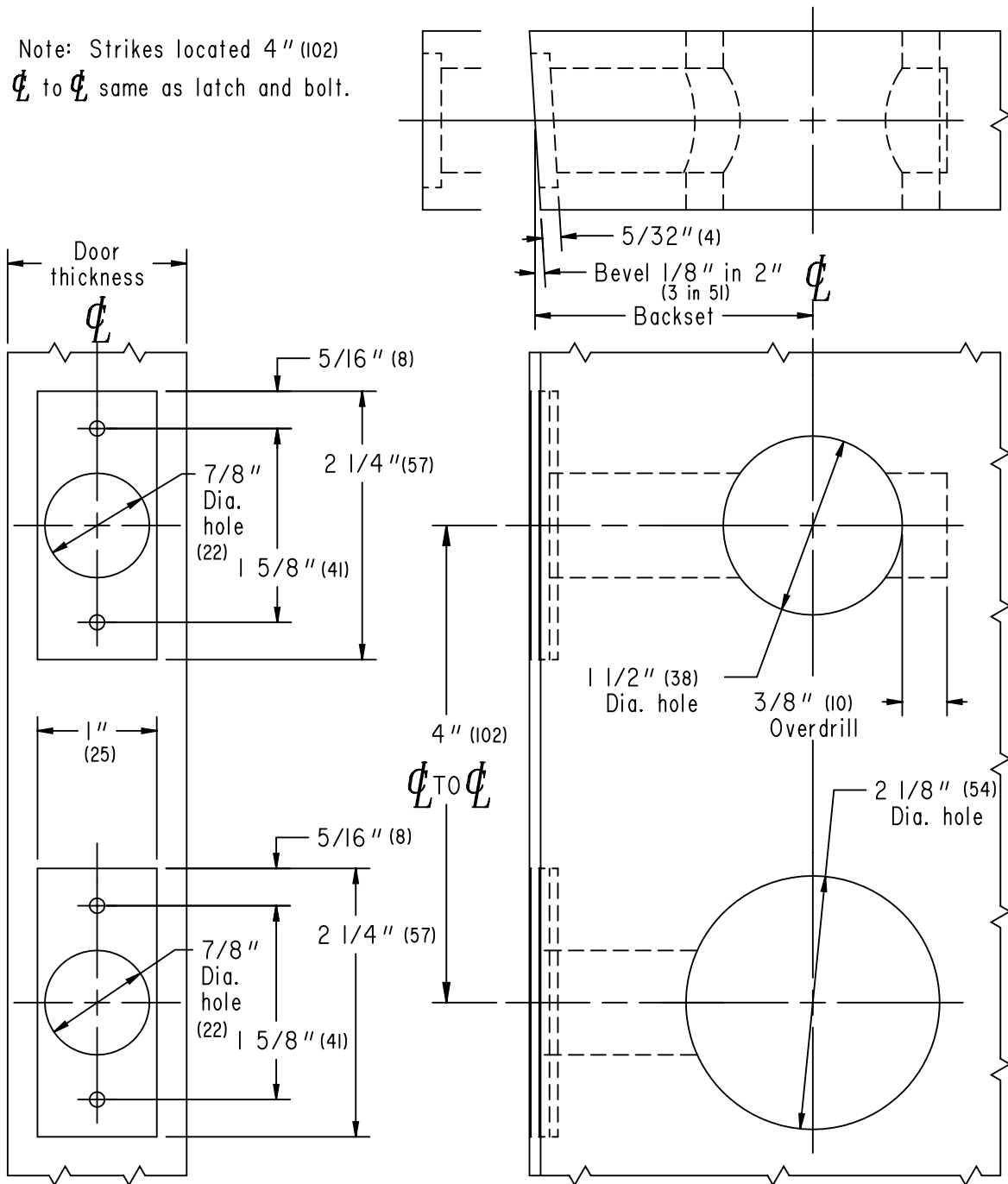
1 3/8" (35) to 1 3/4" (44) wood or composite doors
1" (25) faceplate, flat or beveled

SCHLAGE®

H-Series

Note: Dimensions shown in parenthesis () are in millimeters.

Note: Strikes located 4" (102)
 ϕ to ϕ same as latch and bolt.



<p>BACKSETS H496-C, 2 3/8" (60) H496-D, 2 3/4" (70) H496-F, 5" (127)</p>	<p>JOB _____ DATE _____ DOOR THICKNESS _____ REMARKS _____</p>	<p>TEMPLATE NO. H496</p>
--	--	--------------------------------------

H110 H180
H153 H185
H160

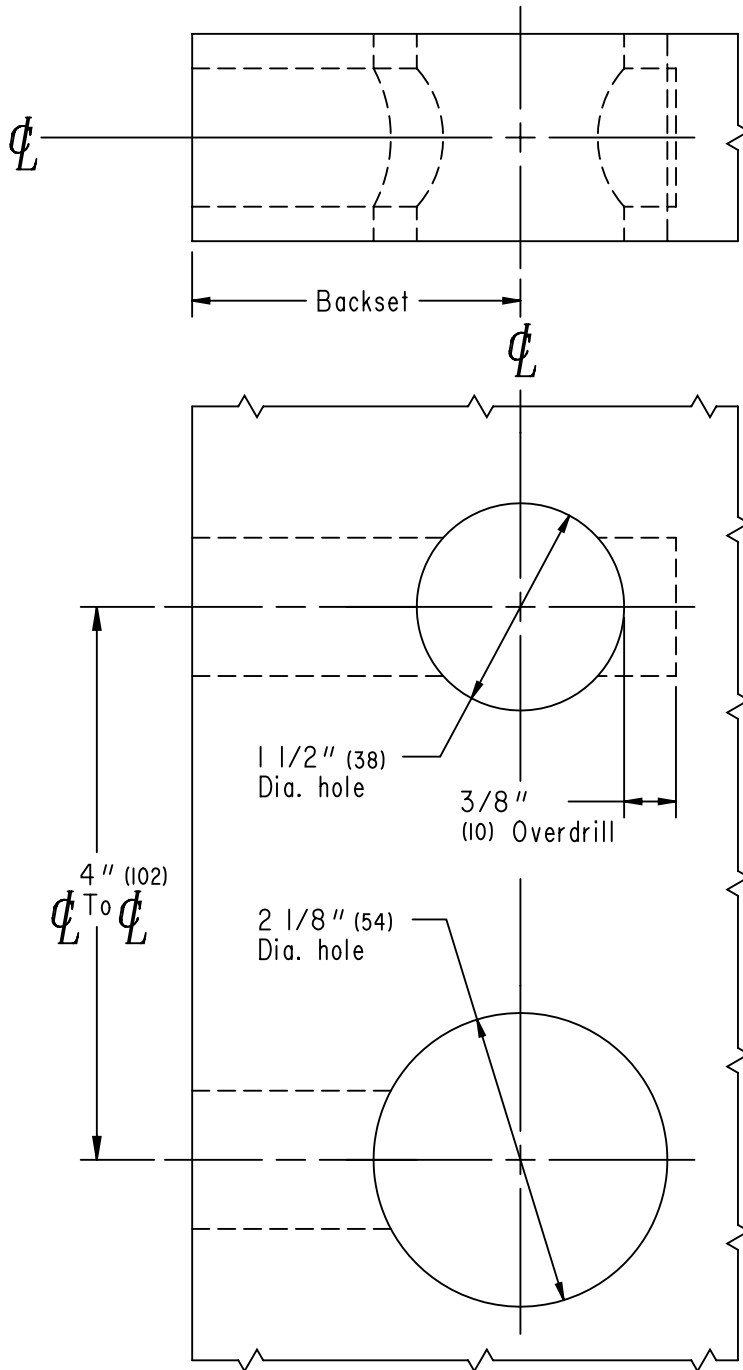
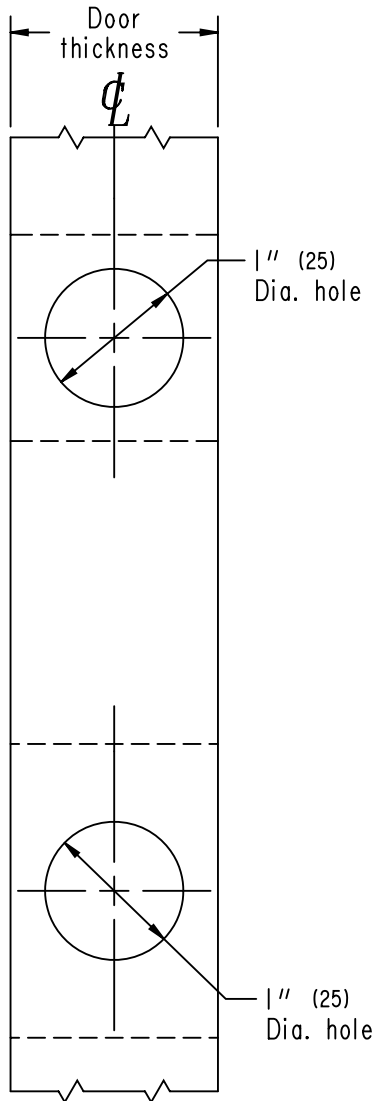
1 3/8" (35) to 1 3/4" (44) wood or composite doors
1" (25) circular faceplate, flat, drive-in latch and bolt

Note: Dimensions shown in parenthesis () are in millimeters.

SCHLAGE

H-Series

Note: Strikes located 4" (102)
 ϕ_L to ϕ_L same as latch and bolt.



<p>TEMPLATE NO. H498</p>	<p>JOB _____ DATE _____ DOOR THICKNESS _____ REMARKS _____</p>	<p>BACKSETS H498-C, 2 3/8" (60) H498-D, 2 3/4" (70) H498-F, 5" (127)</p>
-------------------------------------	--	---

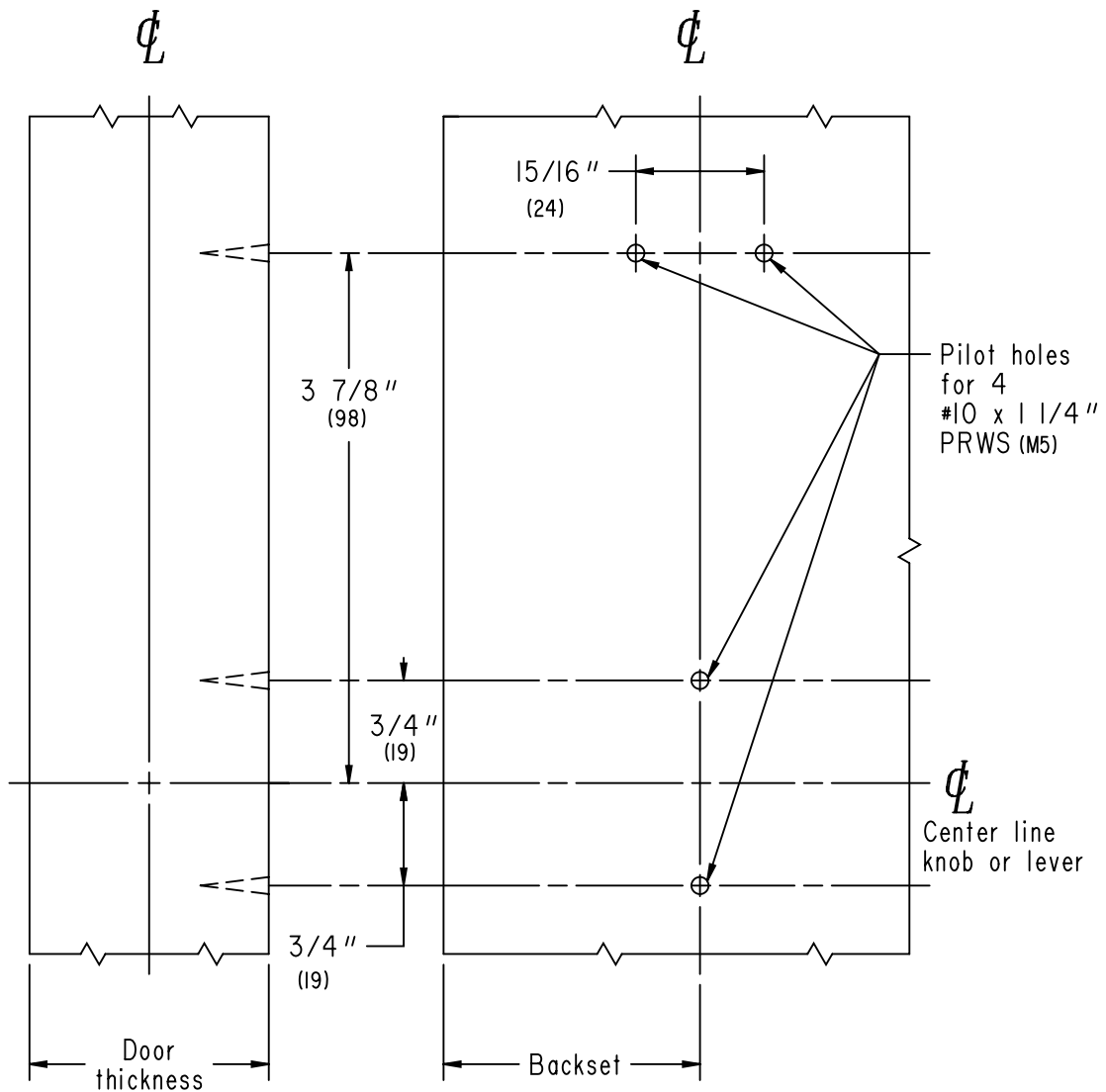
H170

Various thickness wood or composite doors
Surface mounted

Note: Dimensions shown in parenthesis () are in millimeters.

SCHLAGE®

H-Series
Dummy Trim



<p>BACKSETS Any Backset</p>	<p>JOB _____ DATE _____ DOOR THICKNESS _____ REMARKS _____</p>	<p>TEMPLATE NO. H583</p>
---------------------------------	--	-------------------------------------

H110 H180
H153 H185
H160

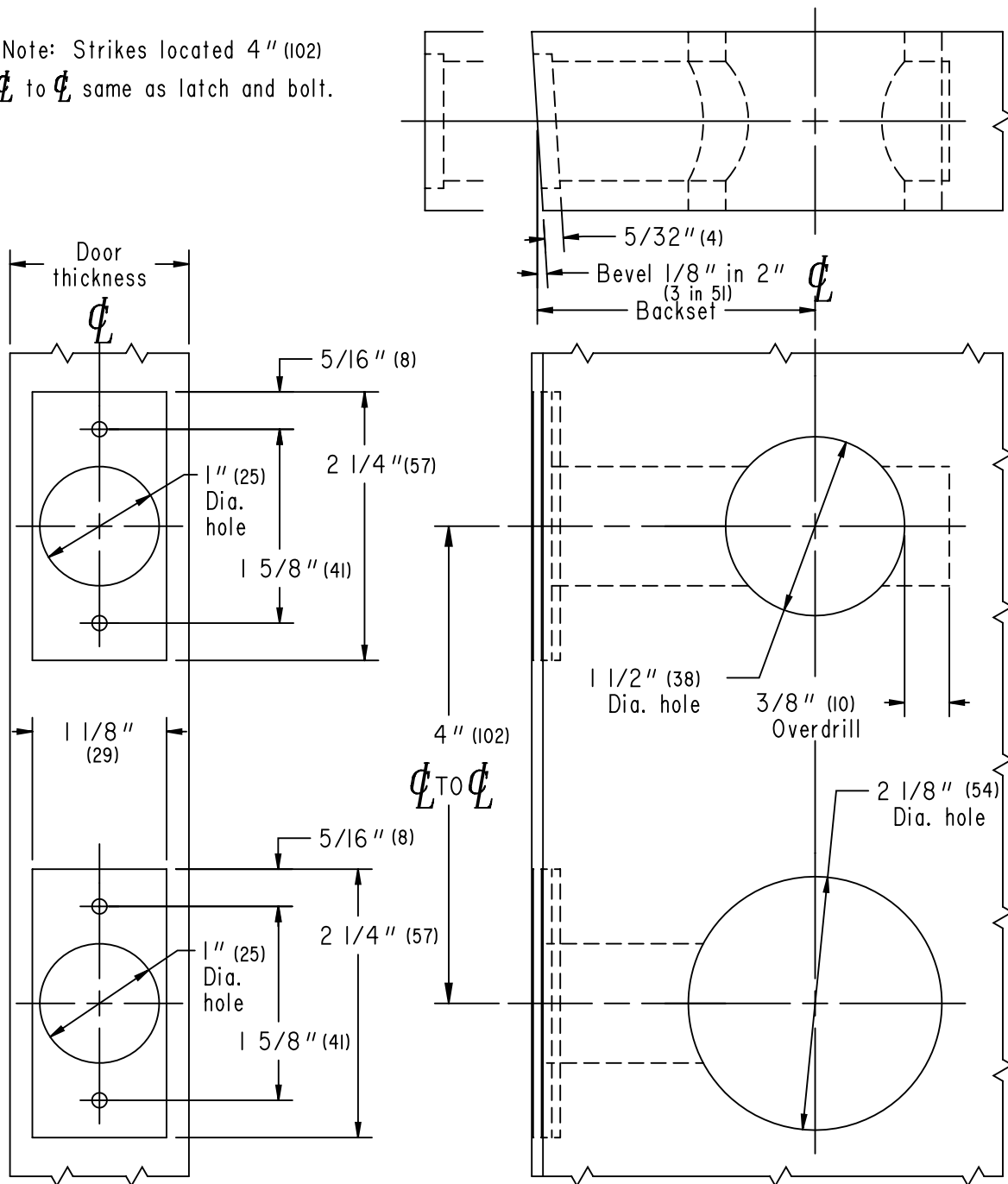
1 3/8" (35) to 1 3/4" (44) wood or composite doors
1 1/8" (29) faceplate, flat or beveled

Note: Dimensions shown in parenthesis () are in millimeters.

SCHLAGE®

H-Series

Note: Strikes located 4" (102)
 ϕ_L to ϕ same as latch and bolt.



TEMPLATE NO.

H686

JOB _____

DATE _____ DOOR THICKNESS _____

REMARKS _____

BACKSETS

H686-C, 2 3/8" (60)

H686-D, 2 3/4" (70)

H686-F, 5" (127)

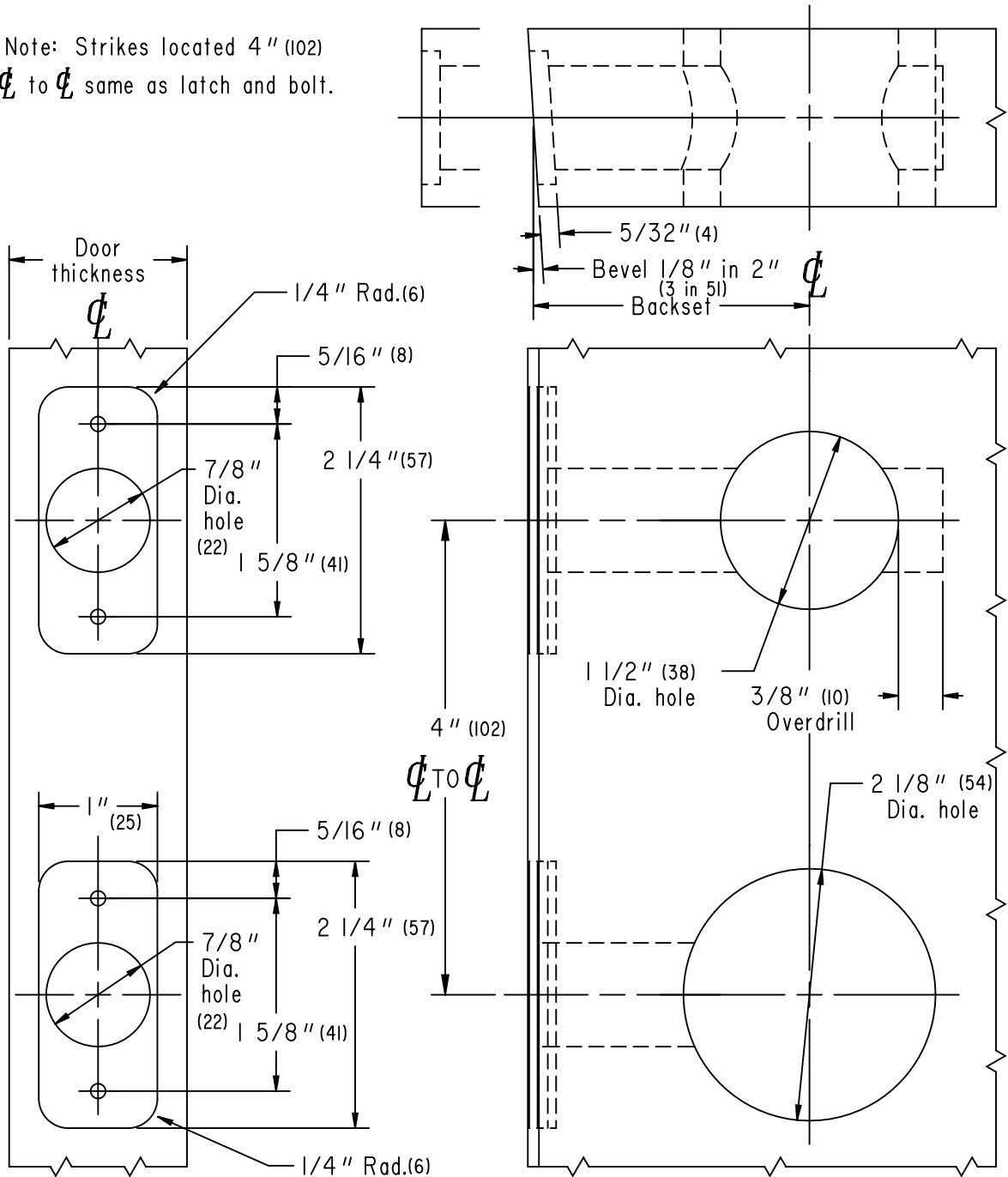
H110 H180
H153 H185
H160

1³/₈" (35) to 1³/₄" (44) wood or composite doors
1" (25) faceplate, flat or beveled, 1/4" (6) radius corner
Note: Dimensions shown in parenthesis () are in millimeters.

SCHLAGE®

H-Series

Note: Strikes located 4" (102)
 ϕ to ϕ same as latch and bolt.



<p>BACKSETS H688-C, 2³/₈" (60) H688-D, 2³/₄" (70) H688-F, 5" (127)</p>	<p>JOB _____ DATE _____ DOOR THICKNESS _____ REMARKS _____</p>	<p>TEMPLATE NO. H688</p>
--	--	--------------------------------------

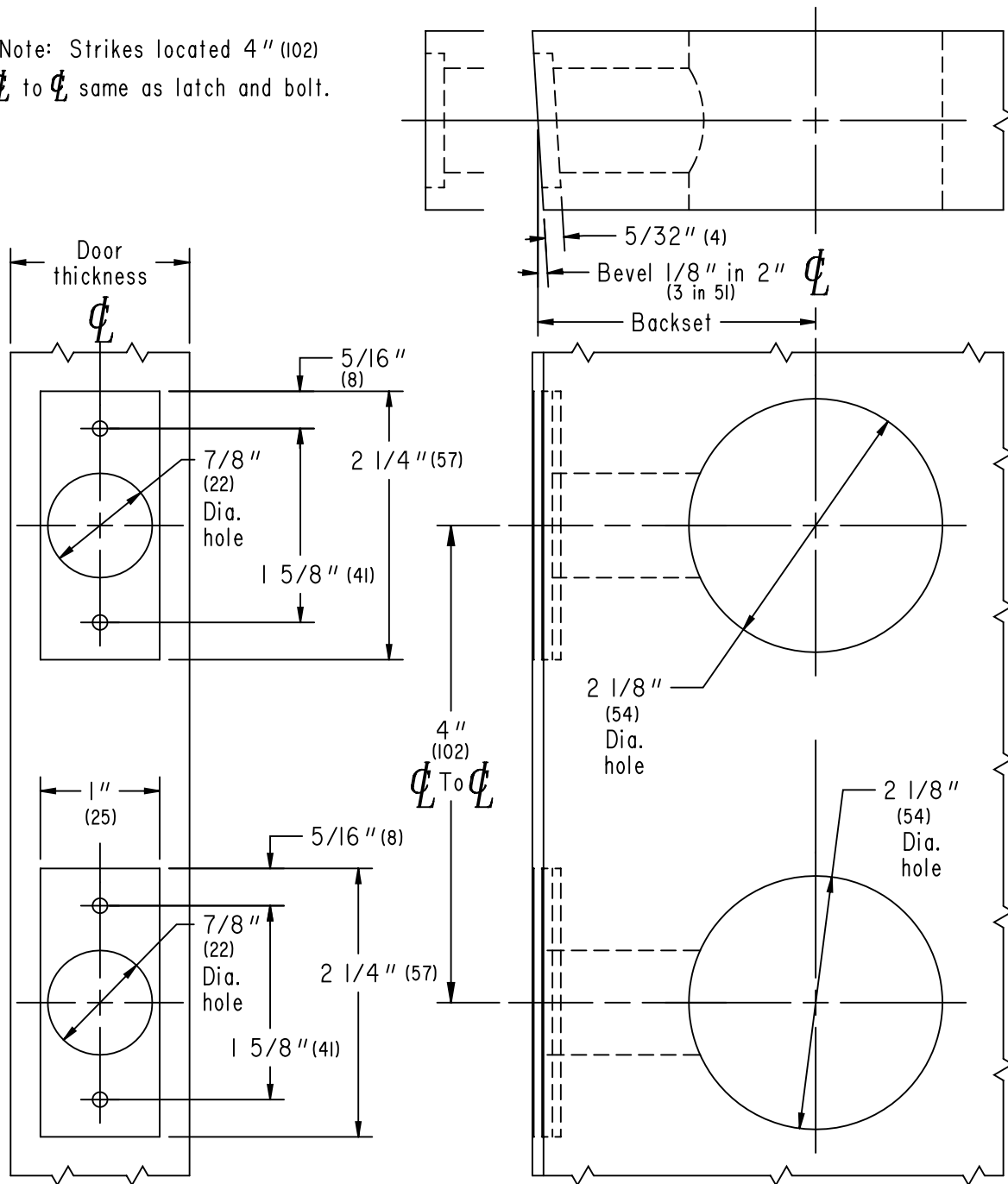
H110H
H153H
H180H
H185H

1 3/8" (35) to 1 3/4" (44) wood or composite doors
 1" (25) faceplate, flat or beveled
 This template is for use with adapter for 2 1/8" (54) prep,
 both upper and lower holes.
Note: Dimensions shown in parenthesis () are in millimeters.

SCHLAGE®

H-Series

Note: Strikes located 4" (102)
 ϕ_L to ϕ_L same as latch and bolt.



TEMPLATE NO. H769	JOB _____ DATE _____ DOOR THICKNESS _____ REMARKS _____	BACKSETS H769-C, 2 3/8" (60) H769-D, 2 3/4" (70) H769-F, 5" (127)
---------------------------------	---	---

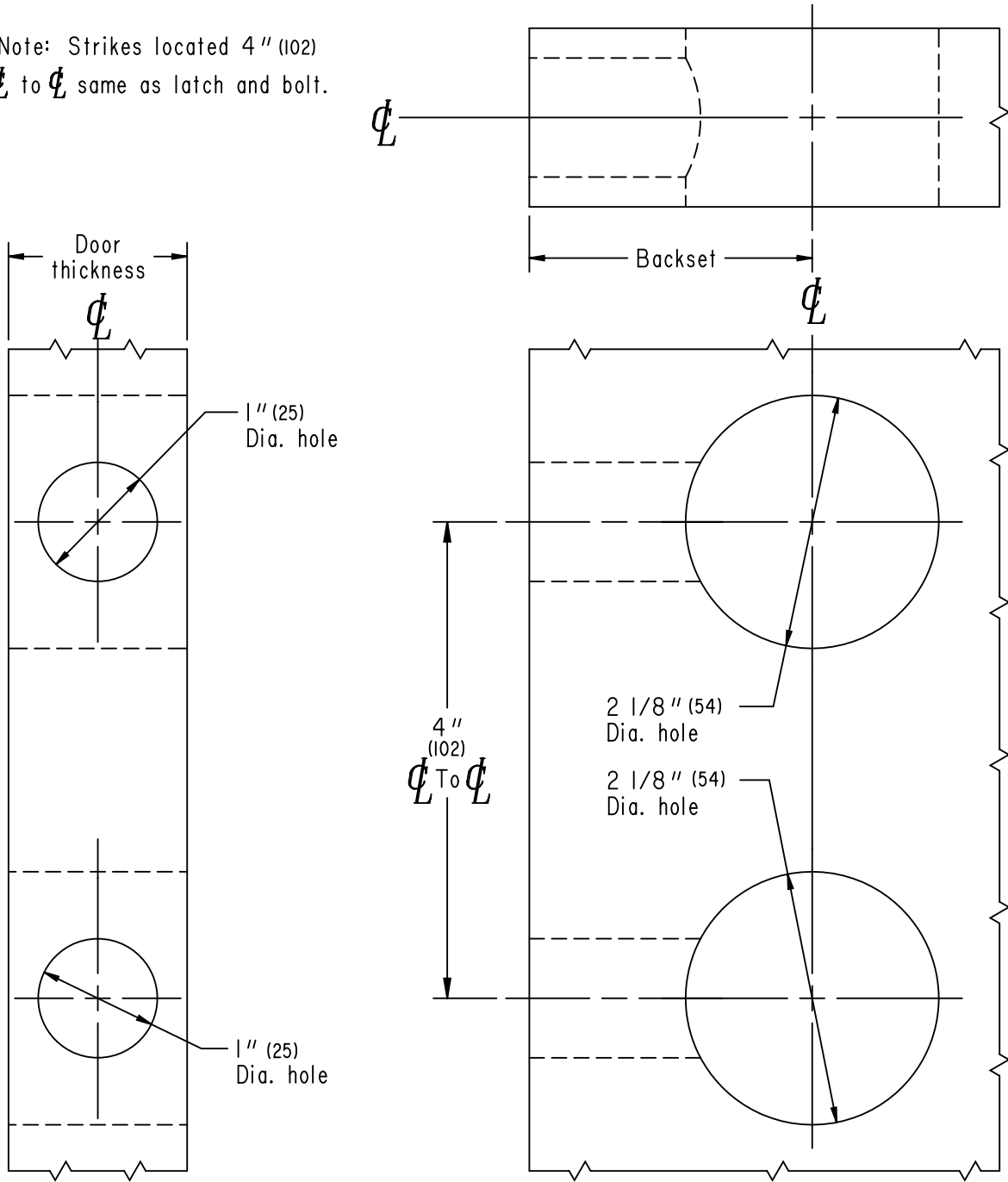
H110H
H153H
H180H
H185H

1³/₈" (35) to 1³/₄" (44) wood or composite doors
1" (25) circular faceplate, flat, drive-in latch and bolt
 This template is for use with adapter for 2¹/₈" (54) prep,
 both upper and lower holes.
Note: Dimensions shown in parenthesis () are in millimeters.

SCHLAGE®

H-Series

Note: Strikes located 4" (102)
 ϕ to ϕ same as latch and bolt.



<p>BACKSETS H771-C, 2³/₈" (60) H771-D, 2³/₄" (70) H771-F, 5" (127)</p>	<p>JOB _____ DATE _____ DOOR THICKNESS _____ REMARKS _____</p>	<p>TEMPLATE NO. H771</p>
--	--	--------------------------------------

H110H
H153H
H180H
H185H

1 3/8" (35) to 1 3/4" (44) wood or composite doors

1 1/8" (29) faceplate, flat or beveled

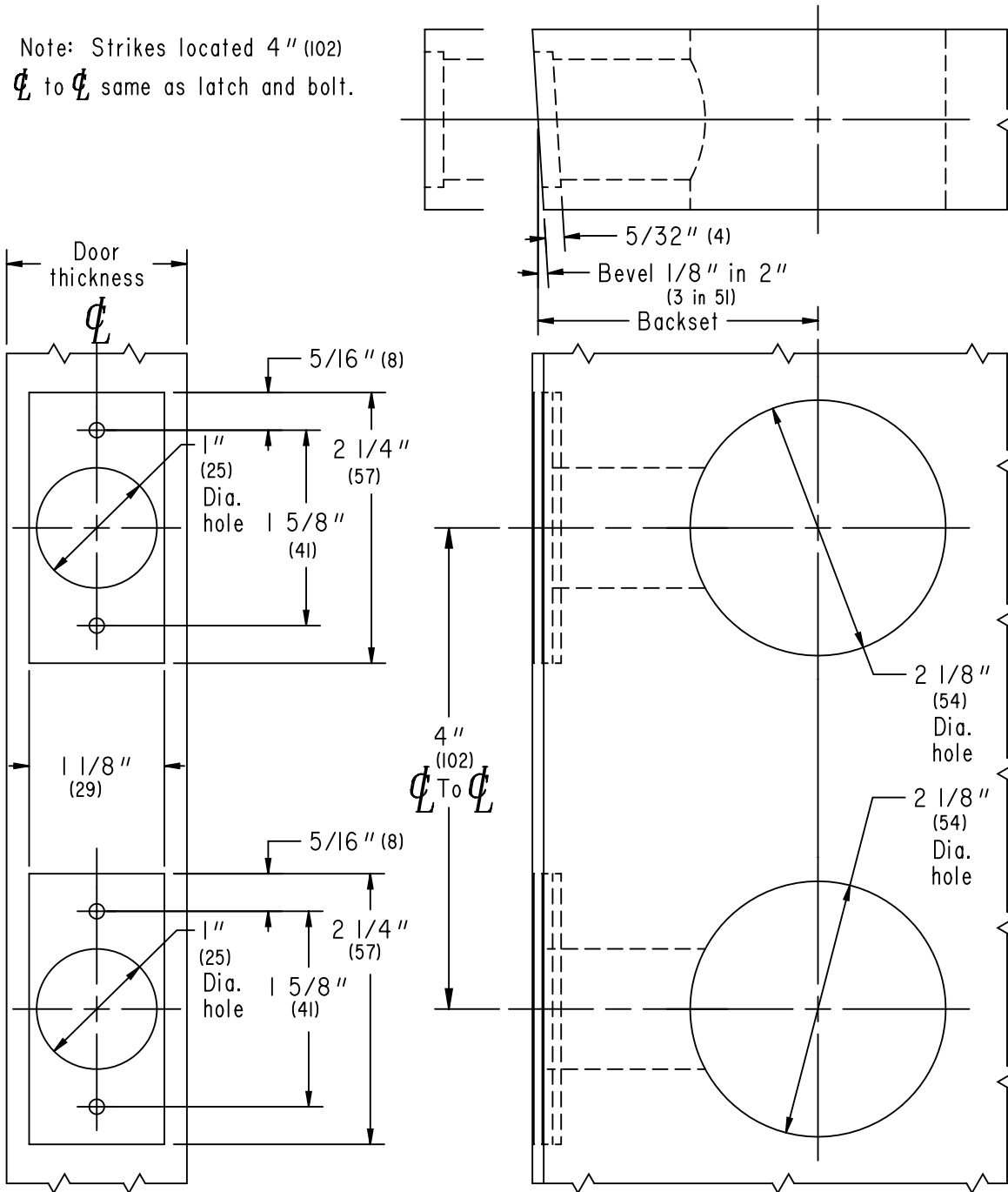
This template is for use with adapter for 2 1/8" (54) prep,
both upper and lower holes.

Note: Dimensions shown in parenthesis () are in millimeters.

SCHLAGE®

H-Series

Note: Strikes located 4" (102)
ϕ to ϕ same as latch and bolt.



<p>TEMPLATE NO. H772</p>	<p>JOB _____ DATE _____ DOOR THICKNESS _____ REMARKS _____</p>	<p>BACKSETS H772-C, 2 3/8" (60) H772-D, 2 3/4" (70) H772-F, 5" (127)</p>
-------------------------------------	--	--

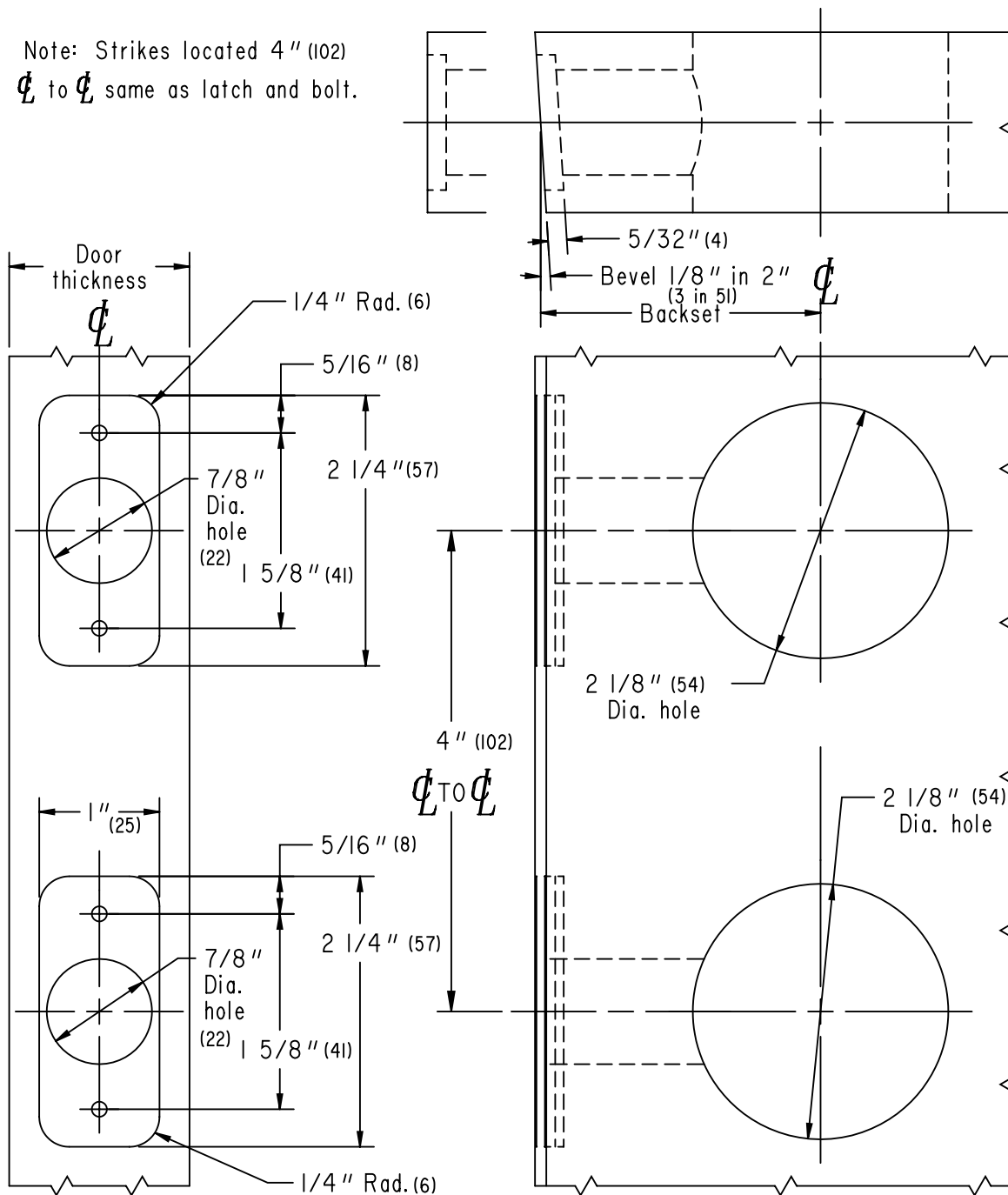
H110H
H153H
H180H
H185H

1³/₈" (35) to 1³/₄" (44) wood or composite doors
 1" (25) faceplate, flat or beveled, 1/4" (6) radius corner
 This template is for use with adapter for 2¹/₈" (54) prep,
 both upper and lower holes.
Note: Dimensions shown in parenthesis () are in millimeters.

SCHLAGE®

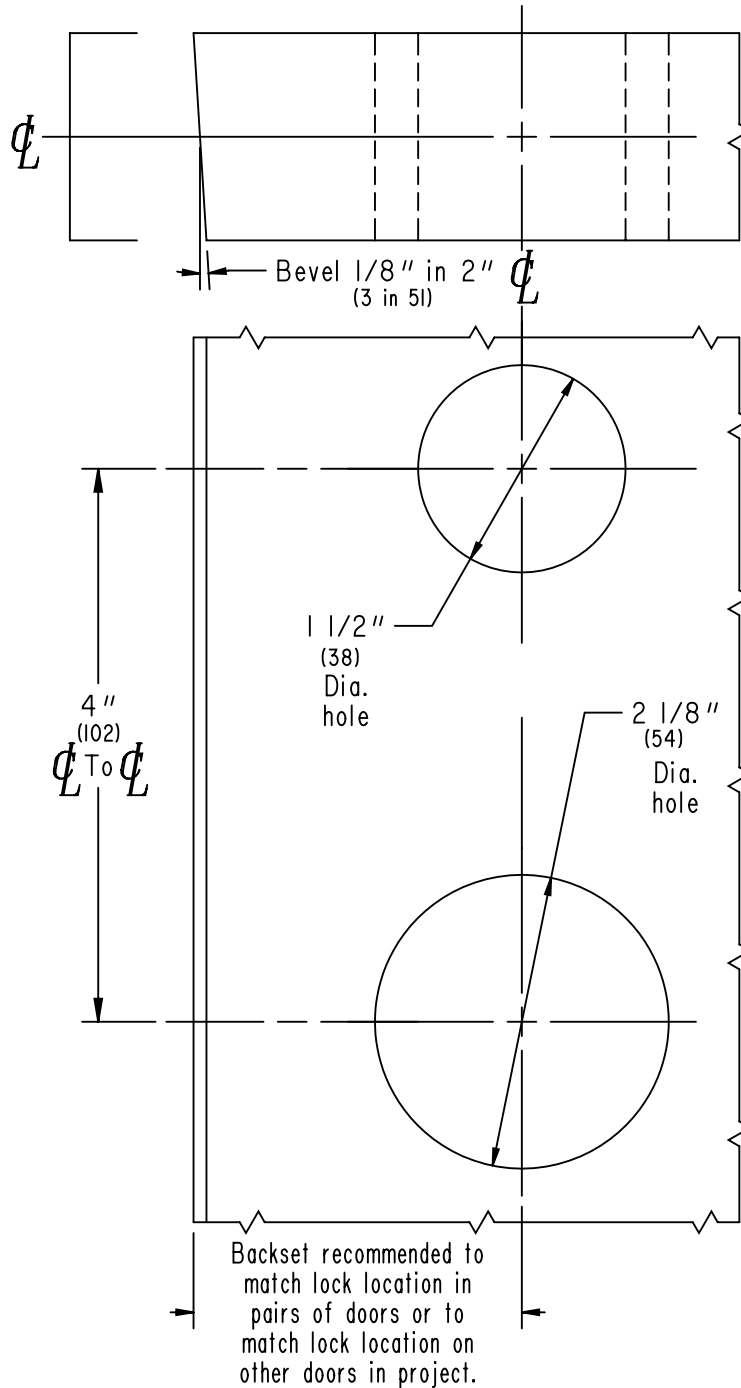
H-Series

Note: Strikes located 4" (102)
 ϕ to ϕ same as latch and bolt.



<p>BACKSETS H774-C, 2³/₈" (60) H774-D, 2³/₄" (70) H774-F, 5" (127)</p>	<p>JOB _____ DATE _____ DOOR THICKNESS _____ REMARKS _____</p>	<p>TEMPLATE NO. H774</p>
--	--	--------------------------------------

Note: Dimensions shown in parenthesis () are in millimeters.



<p>TEMPLATE NO.</p> <p>H798</p>	<p>JOB _____</p> <p>DATE _____ DOOR THICKNESS _____</p> <p>REMARKS _____</p>	<p>BACKSETS</p> <p>H798-C, 2 3/8" (60)</p> <p>H798-D, 2 3/4" (70)</p> <p>H798-F, 5" (127)</p>
--	--	---

H110 H180
H153 H185
H160

1 3/8" (35) to 1 3/4" (44) metal doors

1" (25) faceplate, flat or beveled

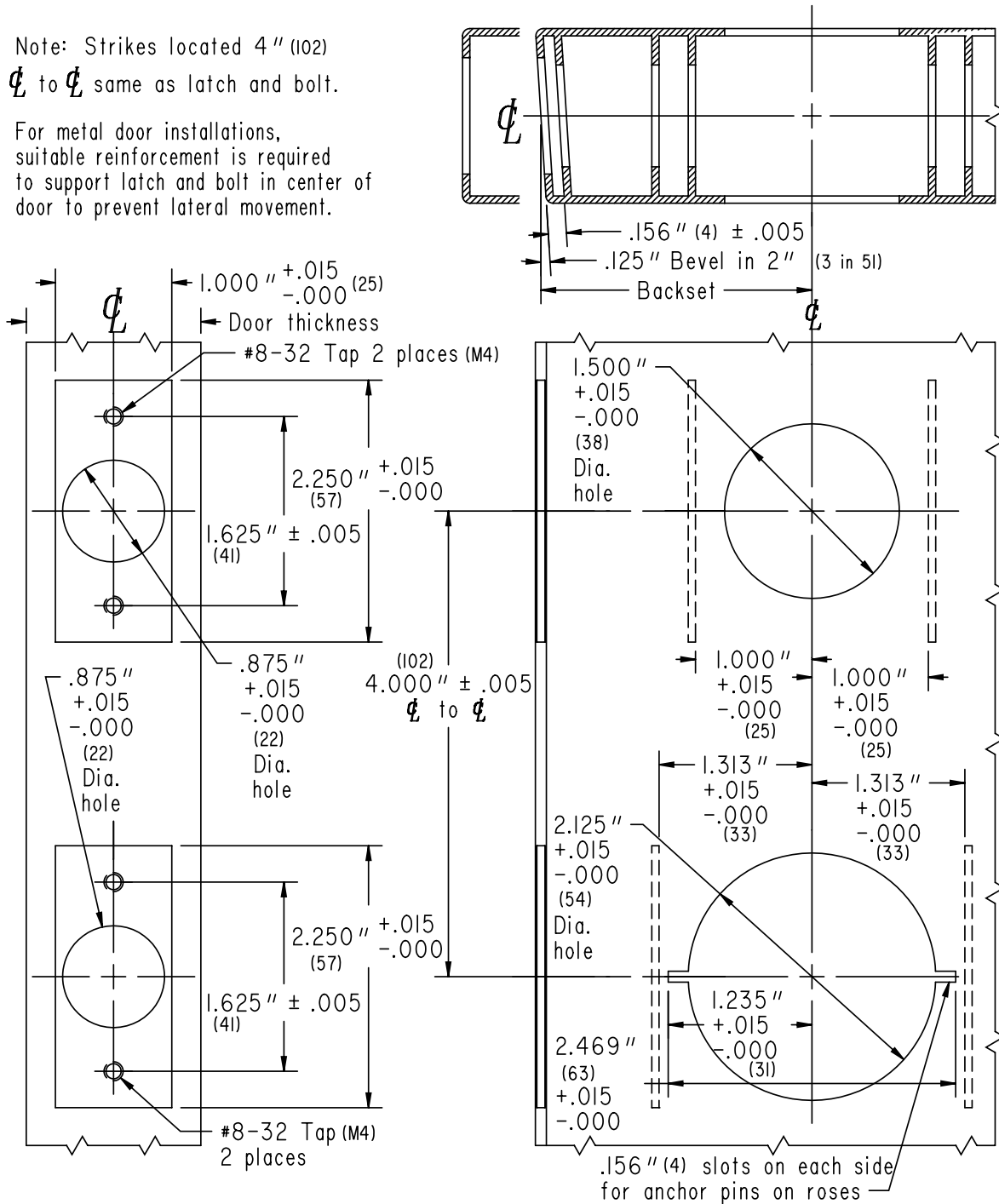
Note: Dimensions shown in parenthesis () are in millimeters.

SCHLAGE®

H-Series

Note: Strikes located 4" (102)
 ϕ to ϕ same as latch and bolt.

For metal door installations, suitable reinforcement is required to support latch and bolt in center of door to prevent lateral movement.



BACKSETS
H871-C, 2 3/8" (60)
H871-D, 2 3/4" (70)
H871-F, 5" (127)

JOB _____
DATE _____ DOOR THICKNESS _____
REMARKS _____

TEMPLATE NO.
H871

H110 H180
H153 H185
H160

1 3/8" (35) to 1 3/4" (44) metal doors

1 1/8" (29) faceplate, flat or beveled

Note: Dimensions shown in parenthesis () are in millimeters.

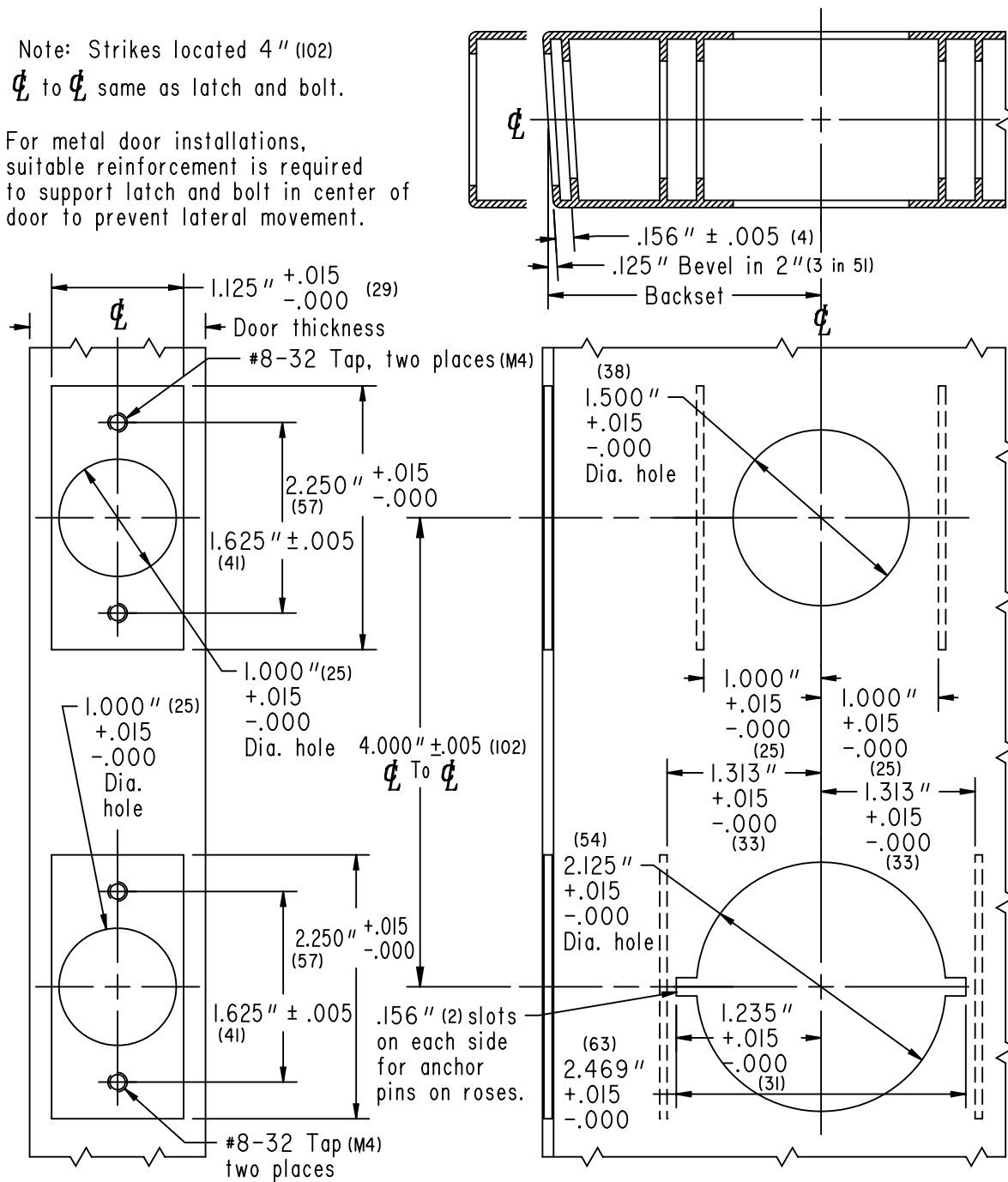
SCHLAGE®

H-Series

Note: Strikes located 4" (102)

ϕ to ϕ same as latch and bolt.

For metal door installations, suitable reinforcement is required to support latch and bolt in center of door to prevent lateral movement.



TEMPLATE NO. H872	JOB _____ DATE _____ DOOR THICKNESS _____ REMARKS _____	BACKSETS H872-C, 2 3/8" (60) H872-D, 2 3/4" (70) H872-F, 5" (127)
-----------------------------	---	--

H110H
H153H
H180H
H185H

1 3/8" (35) to 1 3/4" (44) metal doors

1" (25) faceplate, flat or beveled

This template is for use with adapter for 2 1/8" (54) prep,
both upper and lower holes.

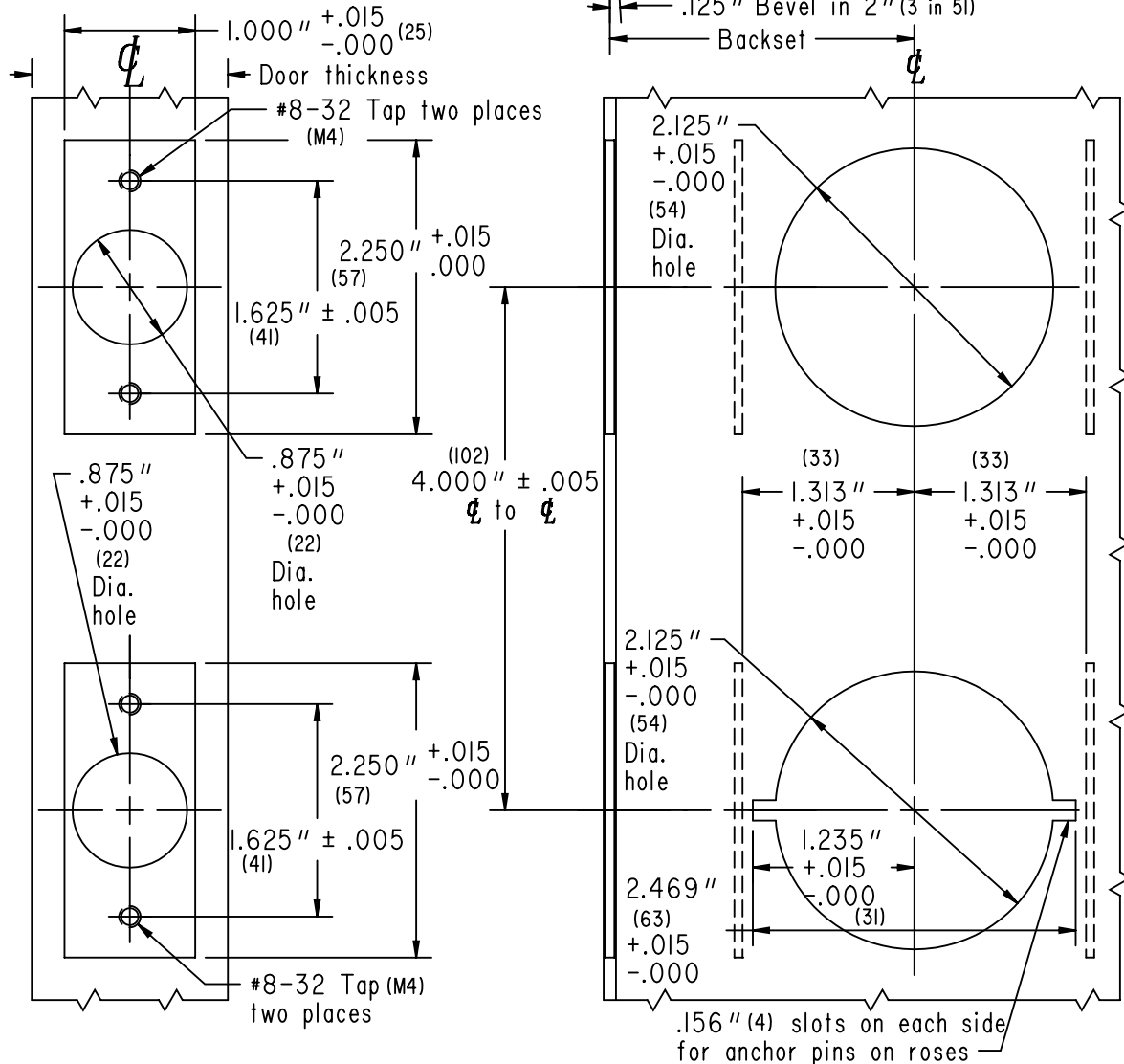
Note: Dimensions shown in parenthesis () are in millimeters.

SCHLAGE®

H-Series

Note: Strikes located 4" (102)
ϕ to ϕ same as latch and bolt.

For metal door installations,
suitable reinforcement is required
to support latch and bolt in center of
door to prevent lateral movement.



BACKSETS
H873-C, 2 3/8" (60)
H873-D, 2 3/4" (70)
H873-F, 5" (127)

JOB _____
DATE _____ DOOR THICKNESS _____
REMARKS _____

TEMPLATE NO.
H873

H110H
H153H
H180H
H185H

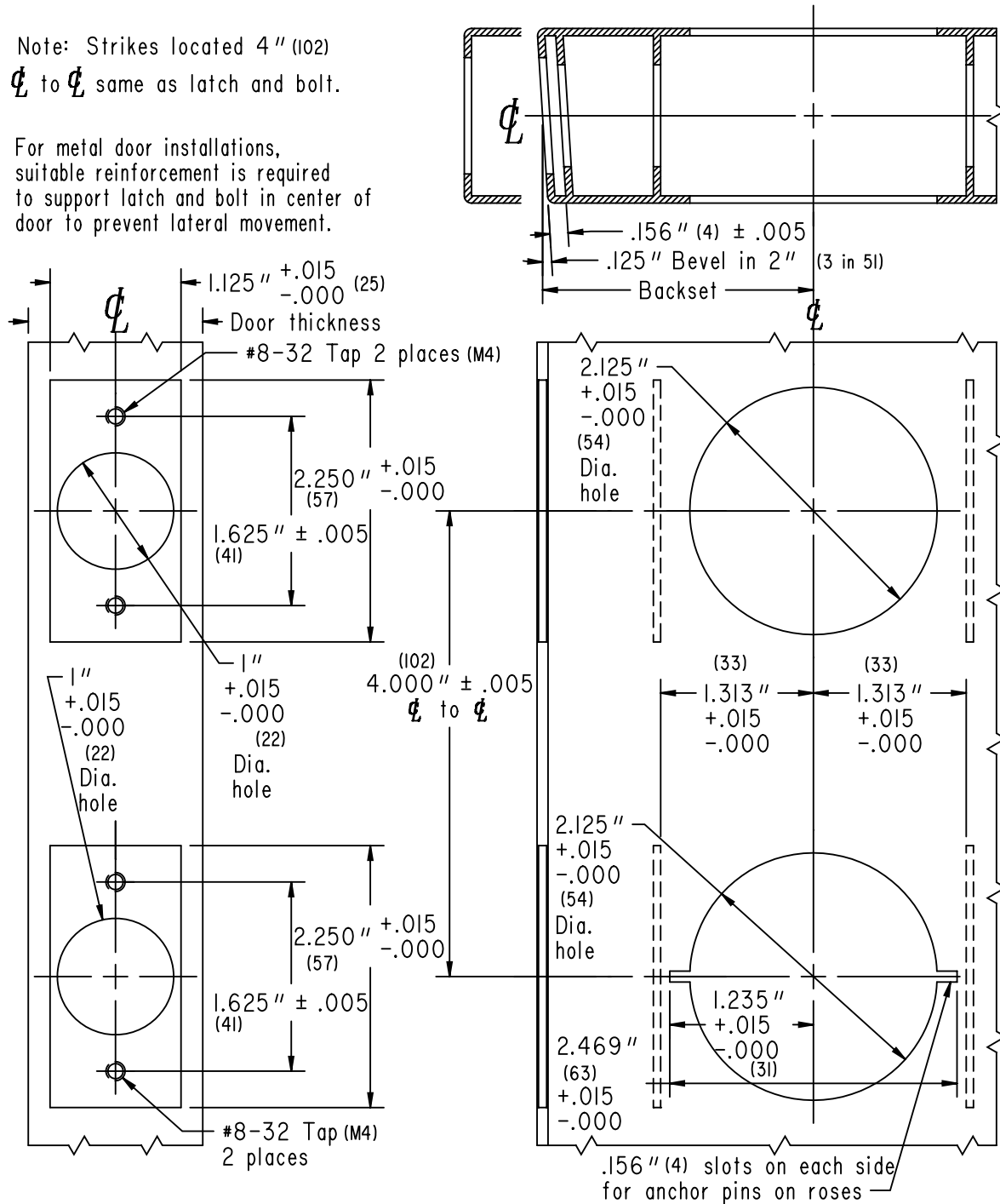
1³/₈" (35) to 1³/₄" (44) metal doors
1¹/₈" (29) faceplate, flat or beveled
 This template is for use with adapter for 2¹/₈" (54) prep,
 both upper and lower holes.
Note: Dimensions shown in parenthesis () are in millimeters.

SCHLAGE

H-Series

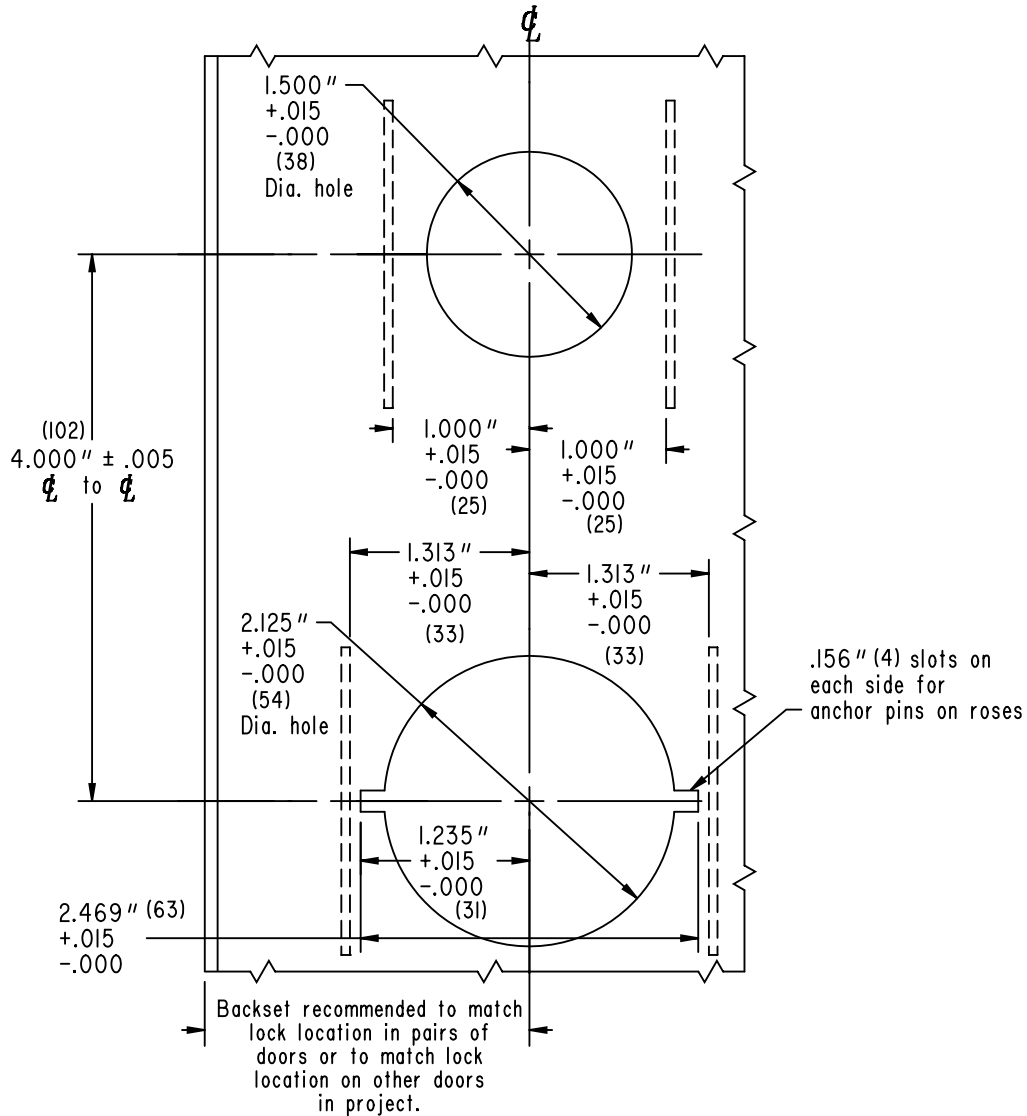
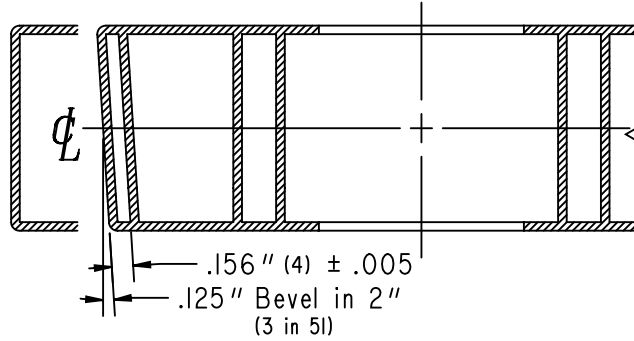
Note: Strikes located 4" (102)
 ϕ to ϕ same as latch and bolt.

For metal door installations,
 suitable reinforcement is required
 to support latch and bolt in center of
 door to prevent lateral movement.



TEMPLATE NO. H874	JOB _____ DATE _____ DOOR THICKNESS _____ REMARKS _____	BACKSETS H874-C, 2 ³ / ₈ " (60) H874-D, 2 ³ / ₄ " (70) H874-F, 5" (127)
-----------------------------	---	---

Note: Dimensions shown in parenthesis () are in millimeters.



<p>BACKSETS H875-C, 2 3/8" (60) H875-D, 2 3/4" (70) H875-F, 5" (127)</p>	<p>JOB _____ DATE _____ DOOR THICKNESS _____ REMARKS _____</p>	<p>TEMPLATE NO. H875</p>
--	--	--------------------------------------