



SecureKey™ Rekey with a Key

Schlage's new SecureKey cylinder allows you to rekey the lock without removing it from the door. SecureKey Technology™ is secure, easy and convenient.

High Security Cylinder

- 10 times more secure*
(*SecureKey Technology enables 10 times greater number of possible key cut combinations reducing the chance of key duplication)
- Bump and pick resistant
- ANSI/BHMA Grade 1 Cylinder
- SecureKey Technology provides superior key control by using a unique blue Reset Key to rekey the lock

Convenient

- SecureKey cylinders can be keyed to standard Schlage C keyway (5 key biting configuration)
- Easily identifiable by a plus sign (+) on the face of the cylinder
- Two homeowner keys and one Reset Key included
- Optional cylinder for Schlage deadbolts, keyed knobs, handlesets and levers

Easier and Faster to Rekey

- Simple, reliable two-step rekeying process
- No repinning of cylinders



- Rekey lock without removing from the door
- No more rekey pinning costs
- Uncompromised safety and security

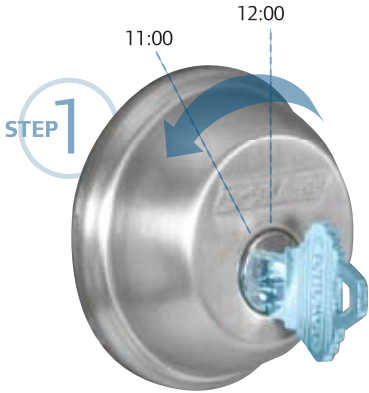




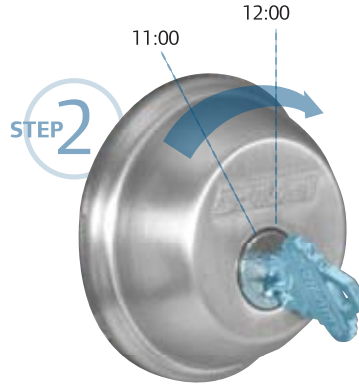
When you see the + sign, it means added security!



Rekeying Locks with SecureKey Technology



Put the Lock in Rekeying Mode
Fully insert the **current blue Reset Key** and turn from the 12:00 position to the 11:00 position and then remove the key.

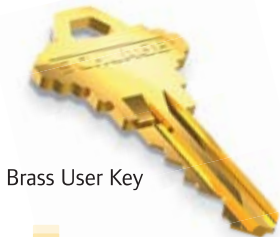


Rekey the Lock
Fully insert the **new blue Reset Key** (cut to match the new home owner key) and turn back to the 12:00 position and then remove the key.
The lock is now rekeyed, begin using the everyday brass key.



Rekey with a Key for Added Security

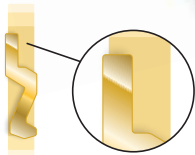
The blue Reset Key has a unique design to differentiate it from the brass User Key. This unique design ensures that only a blue Reset Key, and not another type of key or tool, can be used to rekey the cylinder.



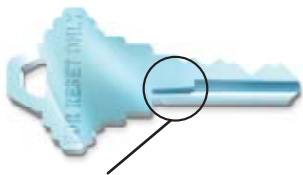
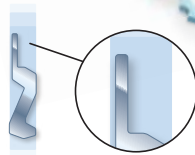
Brass User Key



Blue Reset Key



(Frontal Views)



Locking sidebar provides high security bump resistance.



Superior Key Control

Blue Reset Key has extra material not found on a User Key to engage the cylinder for rekeying.

Reset Key has a unique key cut, ensuring that only a specific reset key will rekey the lock.

BHMA/ANSI Grade 1 Cylinder

- Meets UL437, section 11.6 guidelines for pick resistance.
- Increased reliability and longer cylinder life.



10x 10 times more secure*

10 Times More Key Combinations

Competition

SCHLAGE

Competition 2-8 = 6 key cuts = 7,776 possible key combinations
Schlage 0-9 = 10 key cuts = 100,000 possible key combinations

*SecureKey Technology enables 10 times greater number of possible key cut combinations reducing the chance of key duplication

Available Functions:

- B60, B300 and B500 Series Deadbolts
- F60 and F300 Series Handlesets
- F51, F54 and F58 Series Locks
- FA51 and FA54 Series Locks
- F80 Series Storeroom Locks



Cylinder available in silver and brass plug facings.

www.securekey.schlage.com

