



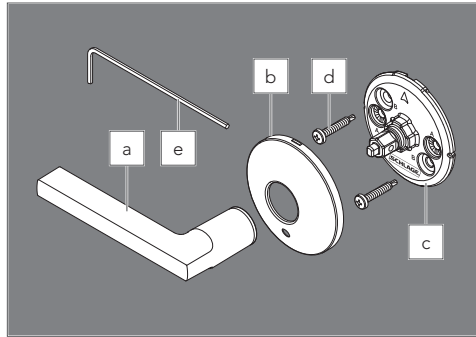
P518-150



Model FC170/172, Dummy

Installation Instructions

- a. Lever
- b. Trim
- c. Chassis
- d. Chassis screws
- e. Allen wrench (Do not discard!)



1 Determine the location.

1a Measure the location of other knobs/levers in the house.

1b Mark these measurements on the dummy door.

2 Install the chassis.

Screws are self-drilling. Do not pre-drill.

3 Install the trim.

4 Install the knob/lever.

4a Push knob/lever into place.

4b Then tighten set screw.

5 Repeat all steps for other side of door if necessary.

