



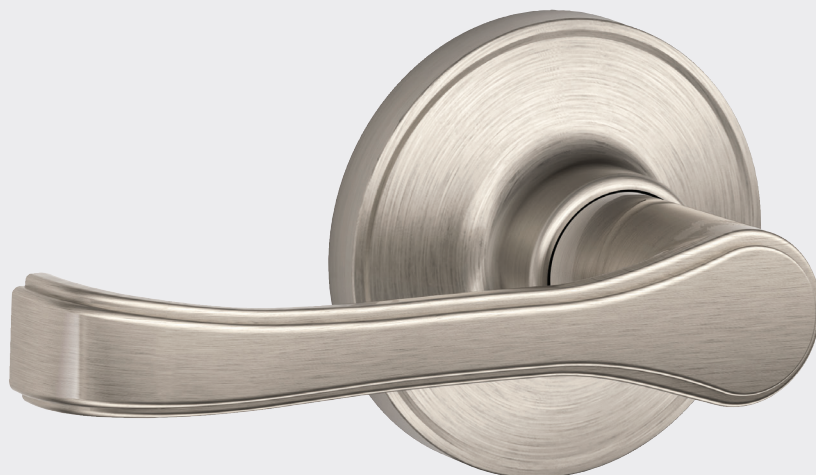
SCHLAGE

Torino lever

J-Series, Grade 3

Features

- ANSI/BHMA Grade 3 security
- Limited lifetime mechanical warranty
- 5 year finish warranty
- Largest levers in their class
- Easy to install
- May be keyed to Schlage C Keyway
- Designs suite with most popular designs from Schlage®

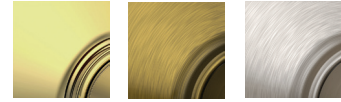


Satin Nickel Lever

J-Series lever specifications

| | |
|-------------------------|-------------------------------------------------------------------------------------------------------------------------------------------------------------|
| Certification | ANSI/BHMA Grade 3 deadbolt; UL Listed for 3-hour fire door available |
| Finish Warranty | 5 year finish warranty |
| Mechanical Warranty | Limited lifetime mechanical warranty |
| Latch Throw | 1/2" |
| Cylinder | 5-pin tumbler, C Keyway |
| Door Thickness | 1-3/8" to 1-3/4" |
| Cross Bore | 2-1/8" |
| Edge Bore | 1" |
| Latch/Backset | Drive-in latch fits 2-3/8" or 2-3/4" backset |
| Latch Faceplate Size | 1" x 2-1/4" |
| Latch Faceplate Options | J10 and 40 functions – Dual option includes round faceplate and drive-in J54 function – Triple Option™ includes square and round faceplates and drive-in |
| Keys | 2 per lock |
| Strikes | 1-5/8" x 2-1/4" full lip |
| Functions | Keyed entry, privacy, passage, dummy |

Finish Options



605
Bright
Brass

609
Antique
Brass

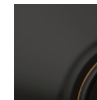
619
Satin
Nickel



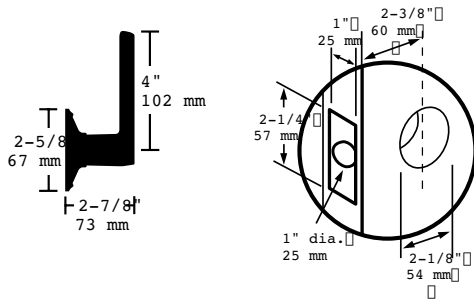
620
Antique
Pewter

625
Bright
Chrome

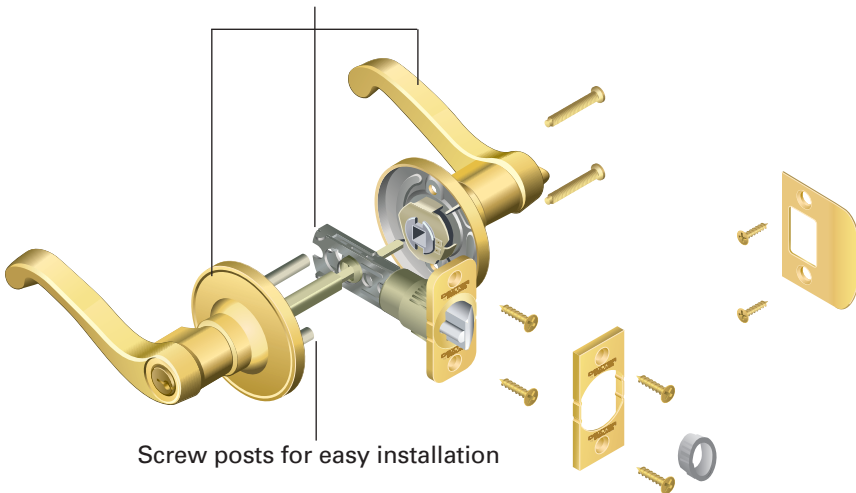
630
Stainless
Steel



716
Aged
Bronze



Three piece assembly for easy installation



Screw posts for easy installation

Visit Schlage.com to learn more.

About Allegion™

Allegion (NYSE: ALLE) creates peace of mind by pioneering safety and security. As a \$2 billion provider of security solutions for homes and businesses, Allegion employs more than 8,000 people and sells products in more than 120 countries across the world. Allegion comprises more than 25 global brands, including strategic brands CISA®, Interflex®, LCN®, Schlage® and Von Duprin®. For more, visit www.allegion.com

aptiQ ■ LCN ■ **SCHLAGE** ■ STEELCRAFT ■ VON DUPRIN



© 2014 Allegion
MR-2072-TOR, Rev. 12/14
allegion.com