

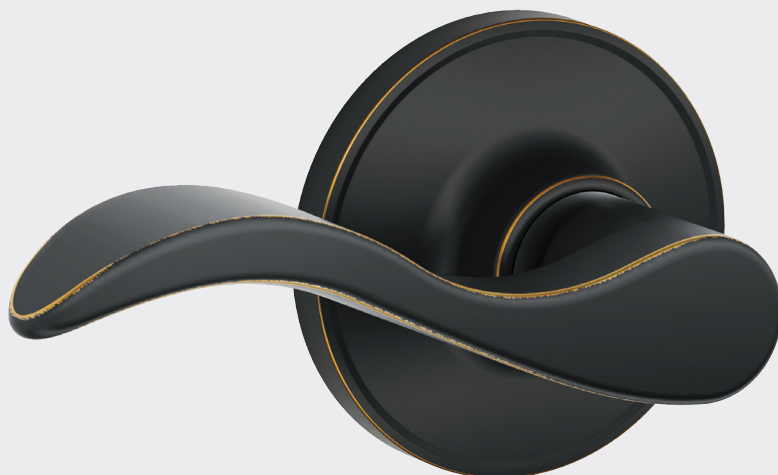


## Seville lever

J-Series, Grade 3

### Features

- AANSI/BHMA Grade 3 security
- Limited lifetime mechanical warranty
- 5 year finish warranty
- Largest levers in their class
- Easy to install
- May be keyed to Schlage C Keyway
- Designs suite with most popular designs from Schlage®



Aged Bronze Lever

## J-Series lever specifications

Certification	ANSI/BHMA Grade 3 deadbolt; UL Listed for 3-hour fire door available
Finish Warranty	5 year finish warranty
Mechanical Warranty	Limited lifetime mechanical warranty
Latch Throw	1/2"
Cylinder	5-pin tumbler, C Keyway
Door Thickness	1-3/8" to 1-3/4"
Cross Bore	2-1/8"
Edge Bore	1"
Latch/Backset	Drive-in latch fits 2-3/8" or 2-3/4" backset
Latch Faceplate Size	1" x 2-1/4"
Latch Faceplate Options	J10 and 40 functions – Dual option includes round faceplate and drive-in J54 function – Triple Option™ includes square and round faceplates and drive-in
Keys	2 per lock
Strikes	1-5/8" x 2-1/4" full lip
Functions	Keyed entry, privacy, passage, dummy

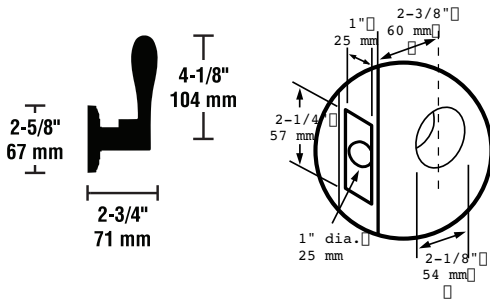
## Finish Options



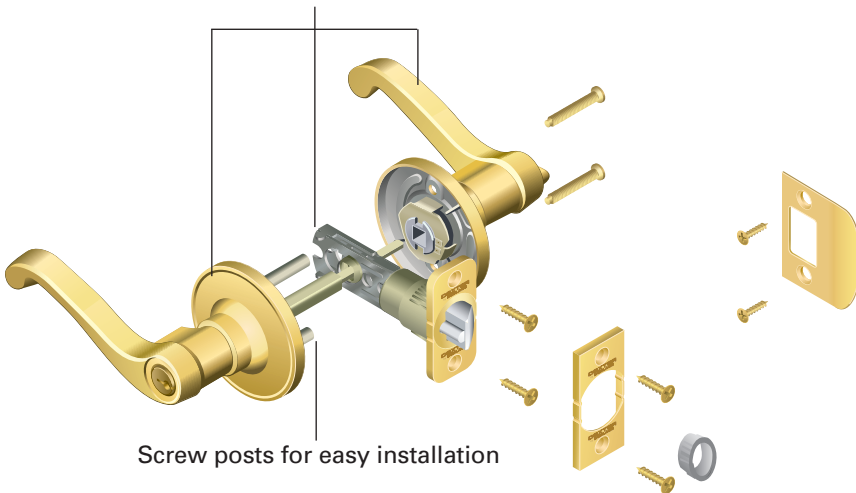
605  
Bright  
Brass

619  
Satin  
Nickel

716  
Aged  
Bronze



Three piece assembly for easy installation



Visit [Schlage.com](http://Schlage.com) to learn more.

## About Allegion™

Allegion (NYSE: ALLE) creates peace of mind by pioneering safety and security. As a \$2 billion provider of security solutions for homes and businesses, Allegion employs more than 8,000 people and sells products in more than 120 countries across the world. Allegion comprises more than 25 global brands, including strategic brands CISA®, Interflex®, LCN®, Schlage® and Von Duprin®. For more, visit [www.allegion.com](http://www.allegion.com)

aptiQ ■ LCN ■ **SCHLAGE** ■ STEELCRAFT ■ VON DUPRIN



© 2014 Allegion  
MR-2072-SEV, Rev. 12/14  
[allegion.com](http://allegion.com)