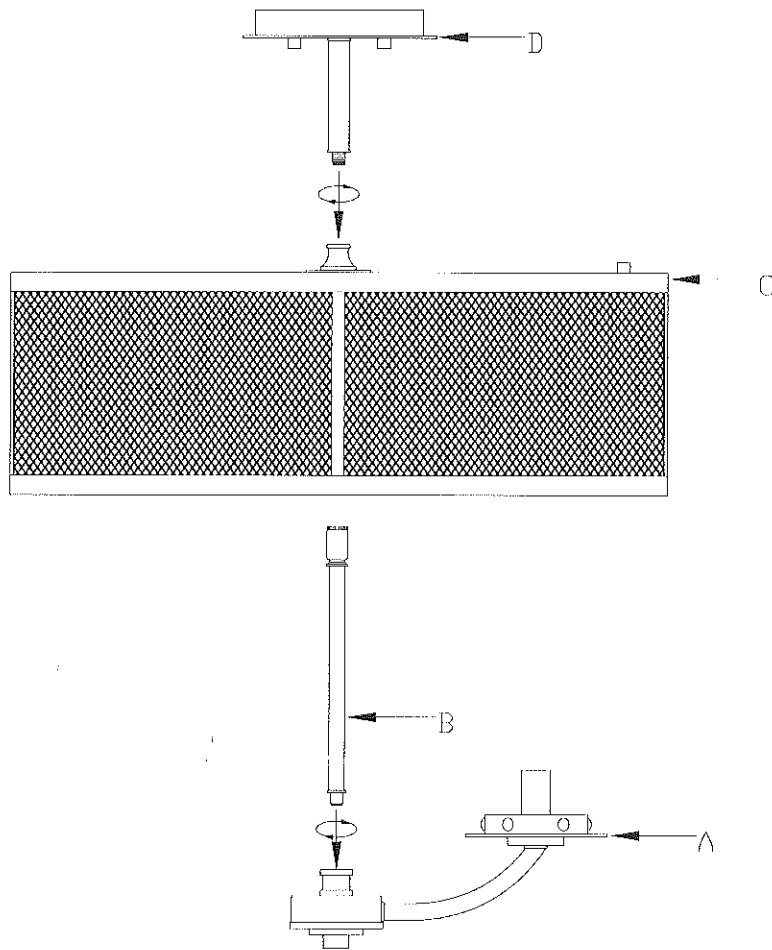




ASSEMBLY INSTRUCTIONS

ITEM NO.: 6-2504-4-42



B → A → C → D

1. Carefully unpack and identify all parts referring to the illustration for parts identification.
2. Turn power to the installation point **OFF**.
3. Thread the center stem (B) onto the center coupling of socket assembly (A).
4. Install the shade frame (C) onto the center stem (B) as shown in.
5. Thread the canopy assembly (D) onto the center coupling at top of shade frame (C).
6. Referring to the installation instruction with the product for the wiring and installation.
7. Install proper bulbs (not provided) to sockets referring to the markings and/or labels on the fixture for maximum wattage.
8. Restore power to the installation point **ON**. Retain this sheet for future reference.