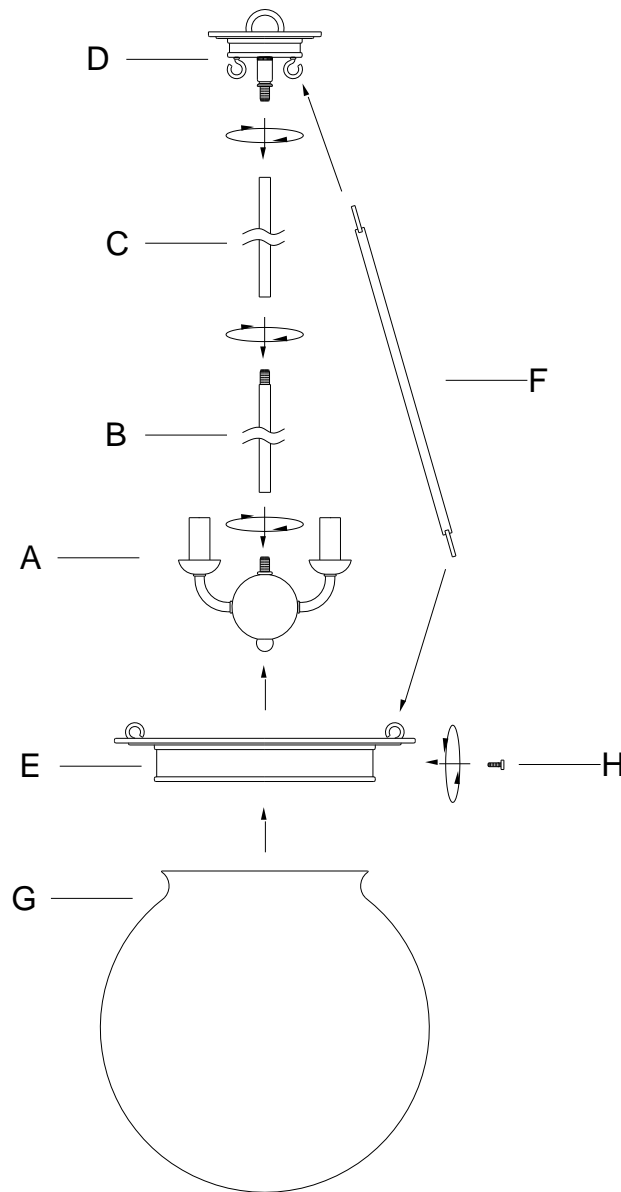




## ASSEMBLY INSTRUCTIONS

### ITEM NO.: 7-3301-3-28&7-3301-3-109



B → A → C → D → E → F → G → H

1. Carefully unpack and identify all parts referring to illustration for parts identification.
2. Turn the power to the installation point **OFF**.
3. Thread the bottom of stem (B) into the nipple at middle of fixture body (A), the bottom of pipe (C) into the stem (B), the bottom of loop assembly (D) into the pipe (C).
4. Attach both ends of hanging rod (F) to the hooks of loop assembly (D) and pan (E).
5. Shove the top neck of the glass (G) into the bottom of pan (E) and secure it with screws (H).
6. Install proper bulbs (not provided) to each socket referring to the markings and / or labels on the fixture for maximum wattage.
7. Retain power to the installation point ON and retain this sheet for future reference.