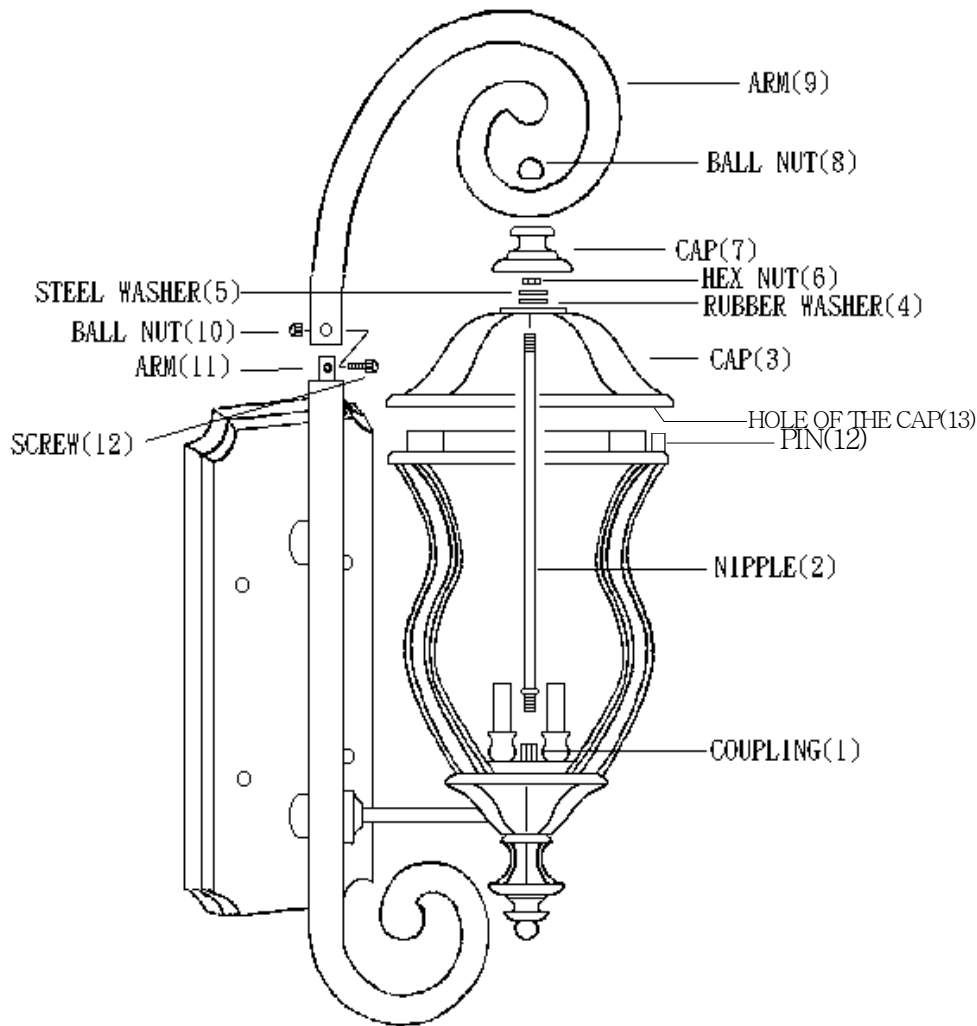




ITEM NO: KP-5-300

KP-5-303

## LIGHTING



### INSTALLATION INSTRUCTIONS

1. Carefully remove the fixture out of the carton, and check that all parts are included referring to the above illustration. Make sure not to misplace any parts that are needed for the installation;
2. Install the lamps on;
3. Screw the NIPPLE(2) into the COUPLING(1), Slide the CAP(3) [Note: Must be install the HOLE OF THE CAP(13) onto PIN(12)], RUBBER WAHSER(4), STEEL WASHER(5) onto the NIPPLE(2), then secure them with HEX NUT(6);
4. Insert the CAP(7), ARM(9) and RUBBER WASHER(15) onto the NIPPLE(2), insert the end of the ARM(9) and rubber washer(14) onto the ARM(11), insert the SCREW(12) into the ARM(9) & ARM(11) then tighten them with BALL NUT(8) & BALL NUT(10);
5. Install the TUBE(16) onto socket;
6. The fixture is assembled!