

ASSEMBLY AND INSTALLATION



INSTRUCTION

Please read carefully and save this instruction, as you may need them at a later date.

CAUTION

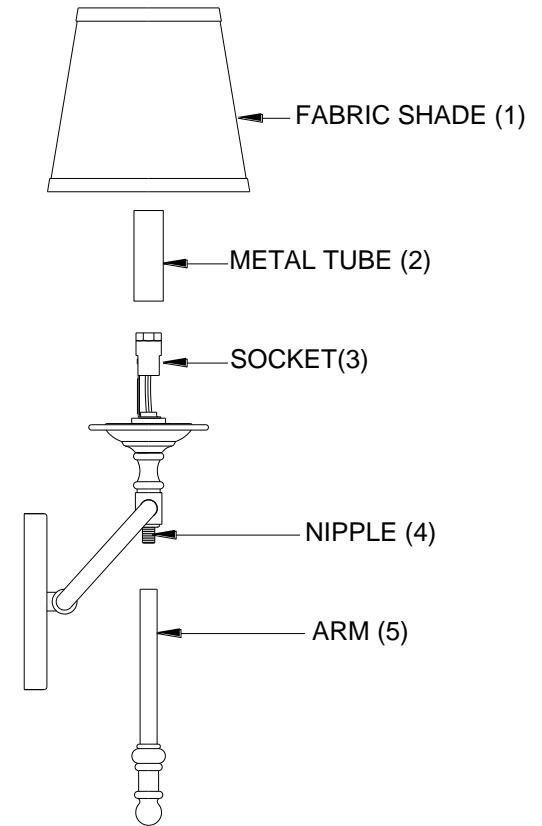
Turn off the main power at the circuit breaker before installing the fixture, in order to prevent possible shock. If you are unfamiliar with proper electrical wiring connections, please consult of a qualified electrician before installing

Installing Step:

Remove the fixture and the mounting package from the box and make sure that no parts missing in the box.

1. Thread the Nipple(4) onto the Arm(5)
2. Put the Metal Tube(2) onto the socket(3)
3. Install bulbs: (Bulbs not including in the package)
(Please don't exceed the maximum capacity that recommended on the Sockets)
4. Attached total one Fabric Shade(1), put the Fabric Shade(1) onto the bulbs.

INSTALLATION IS NOW COMPLETED.



9-4156-1-187