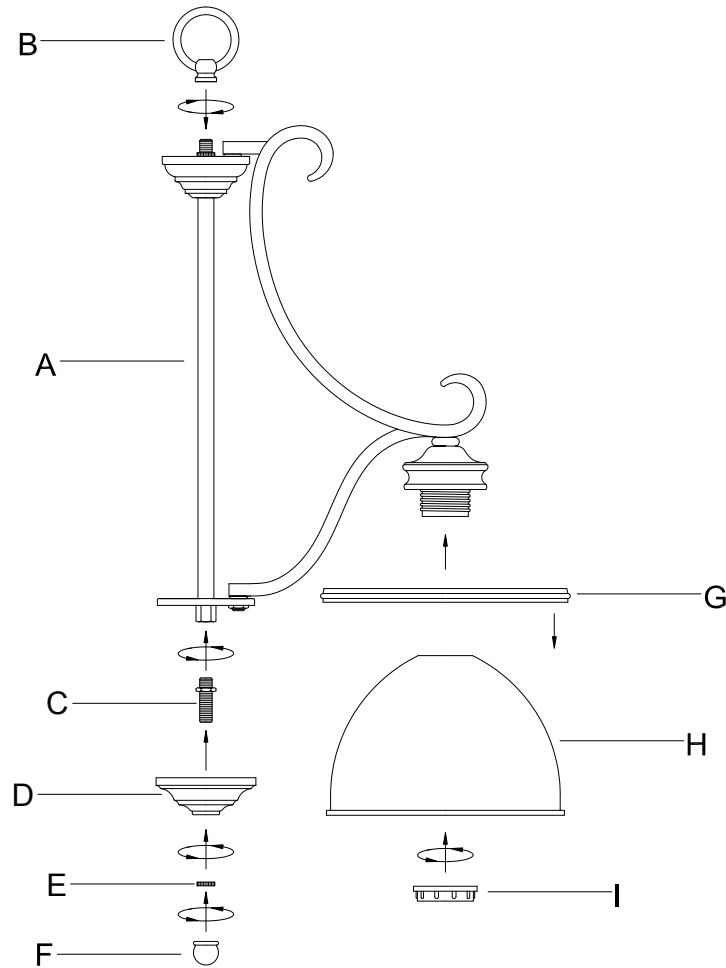




## ASSEMBLY INSTRUCTIONS

### ITEM NO.: 1-5777-3



B → A → C → D → E → F → G → H → I

1. Carefully unpack and identify all parts referring to the illustration for parts identification.
2. Turn power to the installation point **OFF**.
3. Unfold the arms of the fixture body (A) to proper locations.
4. Thread the fixture loop (B) onto protruding nipple of fixture body (A), until snug.
5. Thread nipple (C) into coupling at bottom of the fixture body (A) as shown in the diagram.
6. Place font (D) over the nipple (C) and secure knurled nut (E), until snug.
7. Thread finial (F) onto nipple (C), until snug.
8. Place the decorative ring (G) over the bottom of the glass (H) properly.
9. Carefully place the glass (H) over the socket of the fixture body (A) and secure with socket ring (I).
10. Install proper bulbs (not provided) to sockets referring to the markings and/or labels on the fixture for maximum wattage.
11. Restore power to the installation point **ON**. Retain this sheet for future reference.