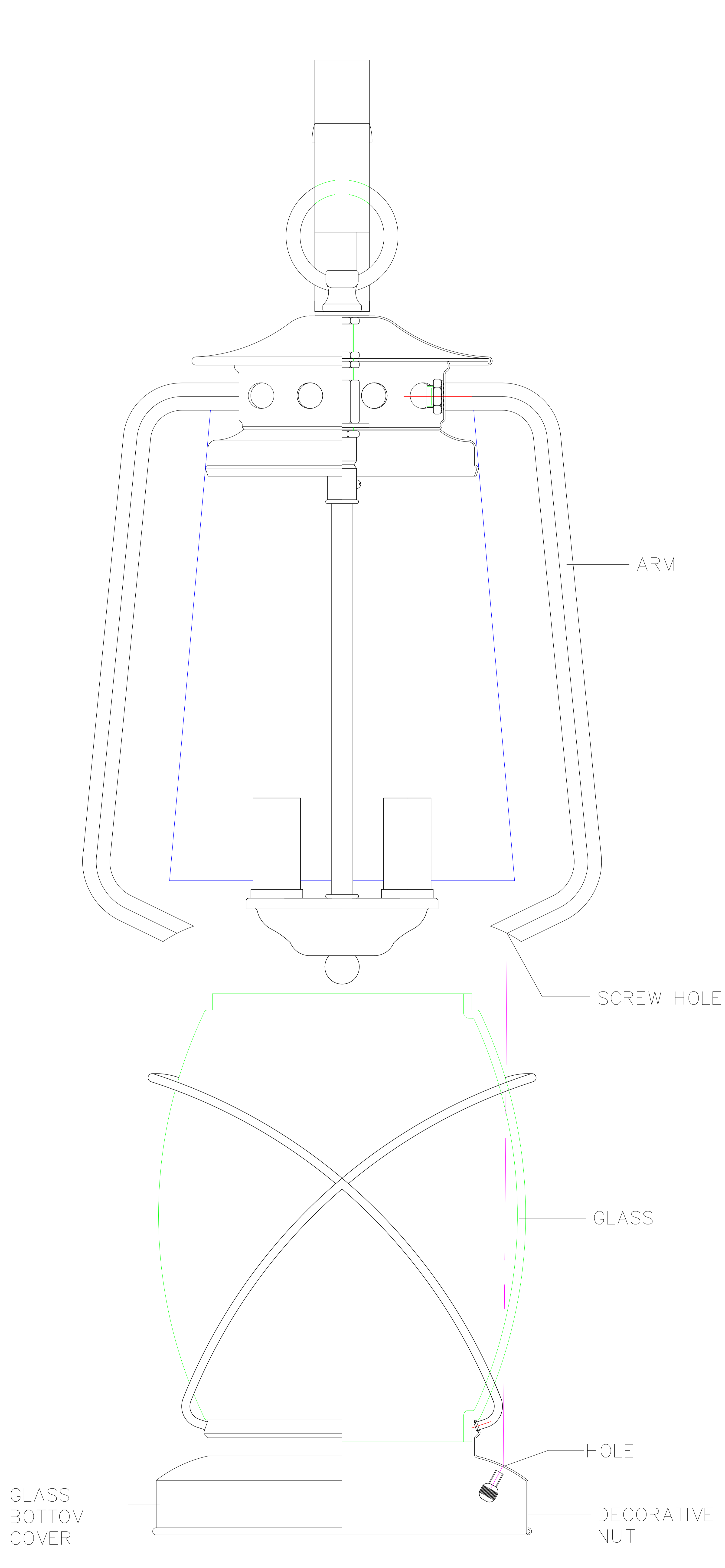




# Assembly Drawing For 5-3411@5-3412



EXPLAIN: SCREW OFF THE DECORATIVE NUT  
AND TILT THE GLASS TO TAKE IT OUT.