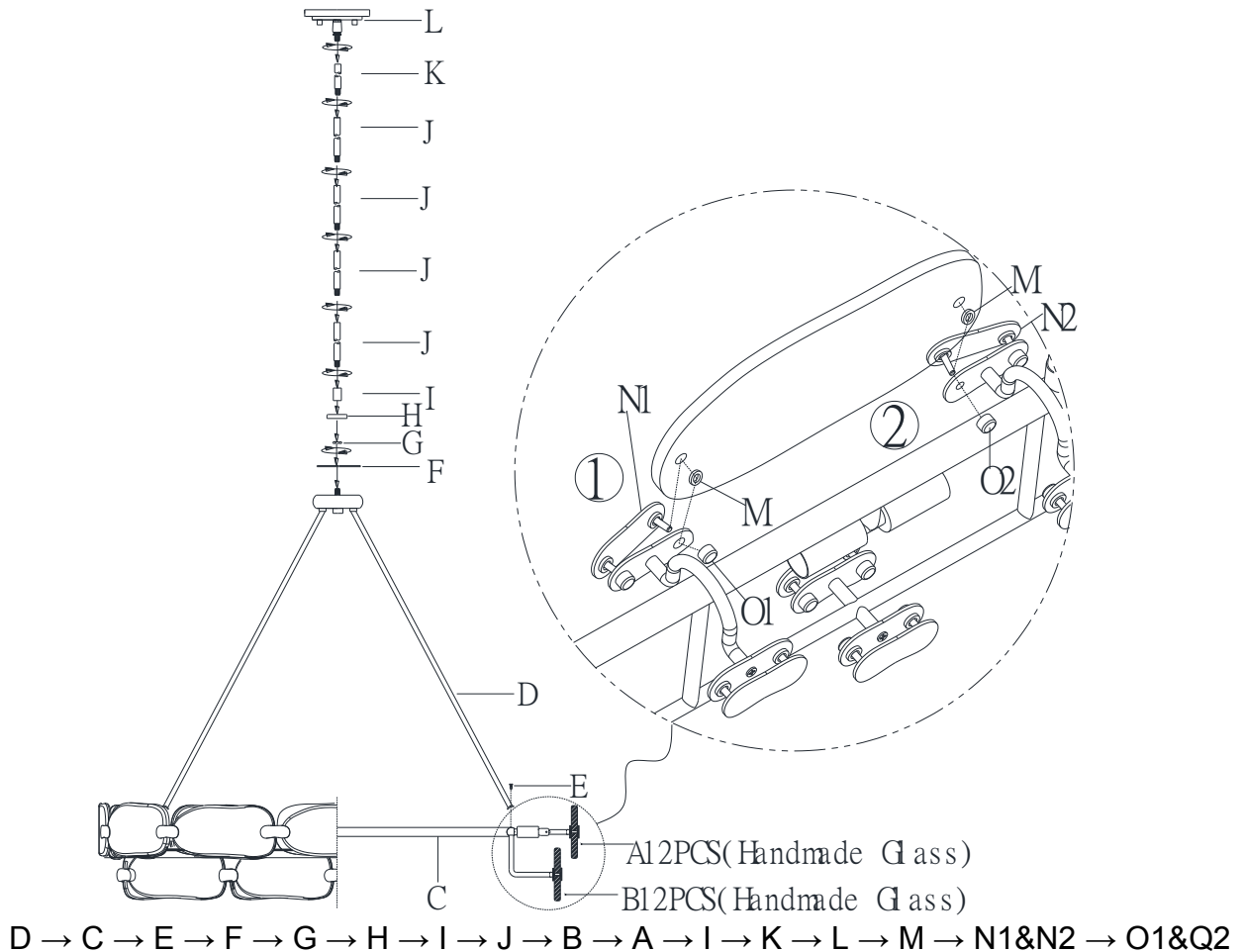




ASSEMBLY INSTRUCTIONS

ITEM NO.: 7-2351-12



1. Carefully unpack and identify all parts referring to illustration for parts identification.
2. Turn the power to the installation point **OFF**.
3. Unravel the supply power and ground wires and pass them through the center holes of steel cap (F), hex nut (G), font (H), coupling (I), center tube (J), (K) and canopy assembly (L).
4. Install the stem (D) to the socket assembly (C), securing with screw (E).
5. Place steel cap (F) to the front of the stem assembly (D), securing with hex nut (G); Then place font (H) to the top of the stem assembly (D), securing with coupling (I).
6. Thread the bottom of center tube (J) to the coupling (I). Repeat process for remaining center tube (J) and (K). Hands tighten until snug.
7. Thread the canopy assembly (L) to the top of the center tube (K).
8. Unscrew finial (O1), place one hole of glass (A) and rubber washer (M) into the nipple of the decorative steel (N1), fix with finial (O1), (DO NOT TIGHTEN). Unscrew finial (O2), place other hole of glass (A) and rubber washer (M) into the nipple of the decorative steel (N2), fix with finial (O2). (DO NOT TIGHTEN).
9. Repeat same process on all A&B glasses, tighten all finials after all glasses assembled.
10. Install proper bulbs (G9 included) to each socket referring to the markings and / or labels on the fixture for maximum wattage.
11. Referring to the installation instruction with the product for the wiring and installation.
12. Retain power to the installation point ON and retain this sheet for future reference.