

# DV45H6300EG

Samsung Front-Load Electric Dryer

## 7.5 cu. ft. Capacity DOE

### Features

- Eco Dry
- Steam Drying Technology:
  - Steam Refresh
  - Steam Wrinkle Away
- Vent Sensor™
- Sensor Dry – Detects Moisture and Adjusts Drying Time
- Smart Care
- Stainless Steel Drum
- 13 Preset Drying Cycles
- 11 Options
- 5 Temperature Settings
- 4-Way Venting
- Dual Heaters
- Drying Rack
- Dryer Drum Light
- Reversible See-Through Door

### Convenience

- Child Lock
- My Cycle Option
- Lint Filter Indicator



Eco Dry



Steam Dry

### Available Colors:



Onyx  
(shown)



White

### Signature Features

#### ECO DRY

- 25% more energy savings.\*
- With Eco Dry save \$4,500 over the lifetime of the washer and dryer.\*\*

\*Saves 25% of energy based on U.S. Department of Energy standard test.

\*\*Compare to pre-2004 conventional top load.

#### STEAM DRY

- Steam away wrinkles.
- Helps remove odors and freshen clothes.
- Spend less time ironing.
- Fewer trips to the dry cleaner.

#### VENT SENSOR™

- Duct blockage sensing.
- Detects problems and reminds you when to clean your vent to avoid lint blockages.
- Cleaning vents regularly improves dryer performance.



Ranked **"Highest in Customer Satisfaction with Clothes Dryers"**  
by J.D. Power and Associates.

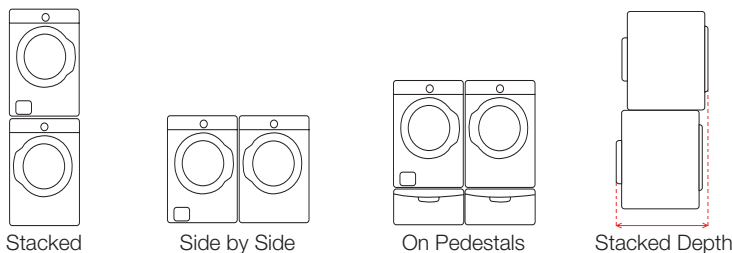
(5 Consecutive Years)

**SAMSUNG**

# DV45H6300EG

Samsung Front-Load Electric Dryer

## Installing Options



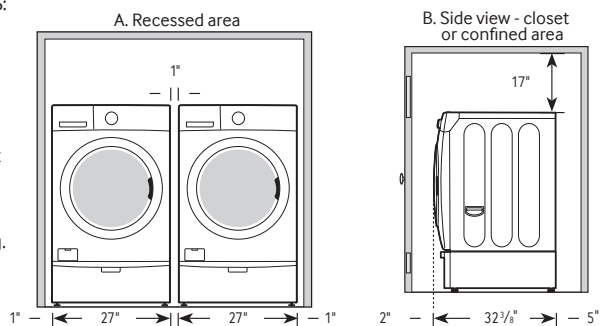
## Installing Your Dryer

### 1. Alcove or closet installation

MINIMUM CLEARANCES FOR CLOSET AND ALCOVE INSTALLATIONS:

Sides – 1"  
Rear – 5<sup>7</sup>/<sub>8</sub>"  
Top – 17"  
Closet Front – 2"

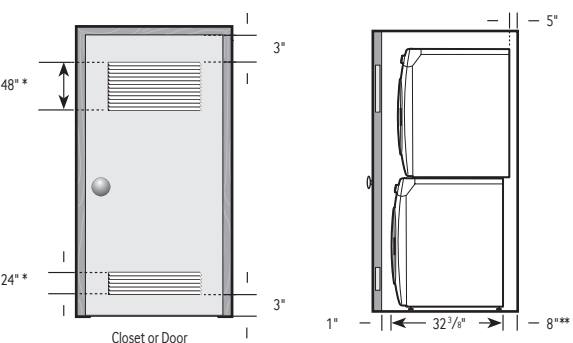
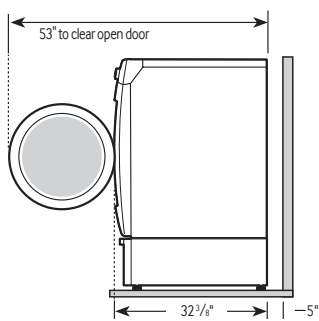
If the washer and dryer are installed together, the closet front must have at least a 72" unobstructed air opening. Your washer alone does not require a specific air opening.



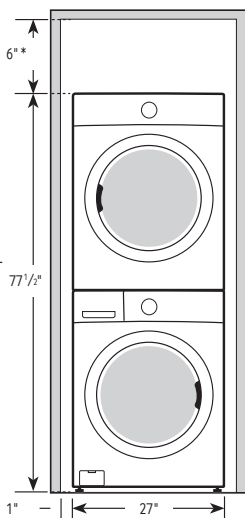
## Dimensions

### 2. With optional pedestal base or stacking kit

Required Dimensions for Installation with Pedestal



Required Dimensions for Installation with Stacking Kit



\*Required spacing.  
\*\*External exhaust elbow requires additional space.

## 7.5 cu. ft. Capacity DOE

### 4-Way Venting

### 13 Preset Dry Cycles:

Steam Refresh, Steam Wrinkle Away, Eco Normal, Normal, Heavy Duty, Permanent Press, Bedding, Delicates, Wool, Sanitize, Time Dry, Air Fluff, Quick Dry

### 11 Options:

Mixed Load Bell, Wrinkle Prevent, Anti-Static, My Cycle, Rack Dry, Adjust Time, Eco Dry, Sound, Child Lock, Smart Care, Drum Light

### 5 Temperature Settings:

High, Medium, Medium Low, Low, Extra Low

### 5 Dry Levels:

Very Dry, More Dry, Normal Dry, Less Dry, Damp Dry

### 2 Signal Level Settings:

On/Off

### Warranty

One (1) Year Parts and Labor  
Two (2) Years Control Board  
Three (3) Years Stainless Steel Drum  
Ten (10) Years Direct Drive Motor

### Product Dimensions & Weight (WxHxD)

Dimensions: 27" x 38<sup>11</sup>/<sub>16</sub>" x 32<sup>3</sup>/<sub>8</sub>"

Weight: 126 lbs

### Shipping Dimensions & Weight (WxHxD)

Dimensions: 29<sup>1</sup>/<sub>4</sub>" x 42<sup>1</sup>/<sub>4</sub>" x 33<sup>1</sup>/<sub>2</sub>"

Weight: 134 lbs

### Electric

Model #	UPC Code
DV45H6300EG	887276963372
DV45H6300EW	887276963402

### Gas

Model #	UPC Code
DV45H6300GG	887276963419
DV45H6300GW	887276963433

### Matching Washer

Onyx	WF45H6300AG	887276963020
White	WF45H6300AW	887276963037

Actual color may vary. Design, specifications, and color availability are subject to change without notice. Non-metric weights and measurements are approximate.

**SAMSUNG**

Samsung received the highest numerical score for clothes washers (2009-2012) and dryers (2008-2012) in the proprietary J.D. Power and Associates Laundry Appliance Studies. SM 2012 study based on 9,339 total responses measuring 12 brands, and measures opinions of consumers about their washer and dryer obtained new in the past 24 months. Proprietary study results are based on experiences and perceptions of consumers surveyed in January-February 2012. Your experiences may vary. Visit [jdpower.com](http://jdpower.com).

©2014 Samsung Electronics America, Inc. 85 Challenger Road, Ridgefield Park, NJ 07660. Tel: 800-SAMSUNG. [samsung.com](http://samsung.com). Samsung is a registered trademark of Samsung Electronics Co. Ltd.