



RF323TEDB

Biggest Capacity 32 cu.ft. French Door with External Water & Ice Dispenser

Features

- Large Storage Capacity – 32 cu. ft.**
- IceMaster™ Ice Maker in the Refrigerator
- Additional Filtered Ice Maker in the Freezer
- High Efficiency LED Lighting
- Twin Cooling Plus System®
- Premium Wide & Tall External Filtered Water and Ice Dispenser
- Cool Select Pantry™ with Temperature Control
- Stainless Look Display
- Power Freeze and Power Cool Options
- Two Humidity Controlled Crispers
- Tempered Glass Spill Proof Shelves
- Gallon Door Bins
- EZ-Open Handle™ on Freezer Door
- Auto Pull Out Upper Freezer Drawer

Convenience

- Cool Tight Door
- Door Alarm
- Water Filter Indicator
- Pizza Pocket
- Removable Ice Caddy

Energy Star Rated

Rated CEE Tier 2: More Efficient
546 kWh / year



Ranked **“Highest in Customer Satisfaction with Refrigerators”** by *J.D. Power and Associates.**



French Door design provides easy access to fresh food and flexible storage options.



Filtered Dual Ice in Freezer.

Signature Features

Available Colors

- Stainless Steel (shown)
- White
- Black

Nearly 12 lbs. of Ice Daily for Family and Friends

Our IceMaster™ paired with in-freezer Ice Maker makes nearly 12 lbs. of ice per day with storage for nearly 10 lbs. of ice***

Maximum Capacity Save Trips to the Market

At 32 cu. ft., our largest French Door refrigerator has enough room to fit 32 bags of groceries.

High-Efficiency LED Lighting 80% brighter, Illuminating Virtually Every Corner

Samsung's new high-efficiency LED lighting gently brightens the interior of your beautifully organized refrigerator.

* Samsung received the highest numerical score for refrigerators in the proprietary J.D. Power and Associates 2012 Kitchen Appliance Study™. Study based on 12,615 total responses measuring 17 brands and measures opinions of consumers about their refrigerator obtained new in the past 24 months. Proprietary study results are based on experiences and perceptions of consumers surveyed in January-February 2012. Your experiences may vary. Visit jdpower.com.

** 31.6 cu. ft. measured as per Department of Energy

*** Actual Dual Ice Master production and storage quantities are 11.8 lbs and 9.7 lbs respectively

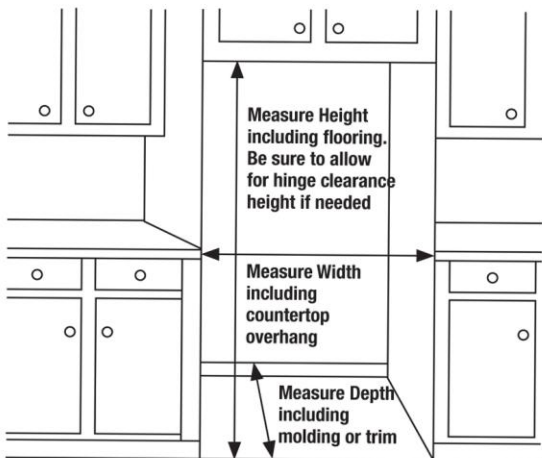
RF323TEDB

Biggest Capacity 32 cu.ft. French Door with External Water & Ice Dispenser

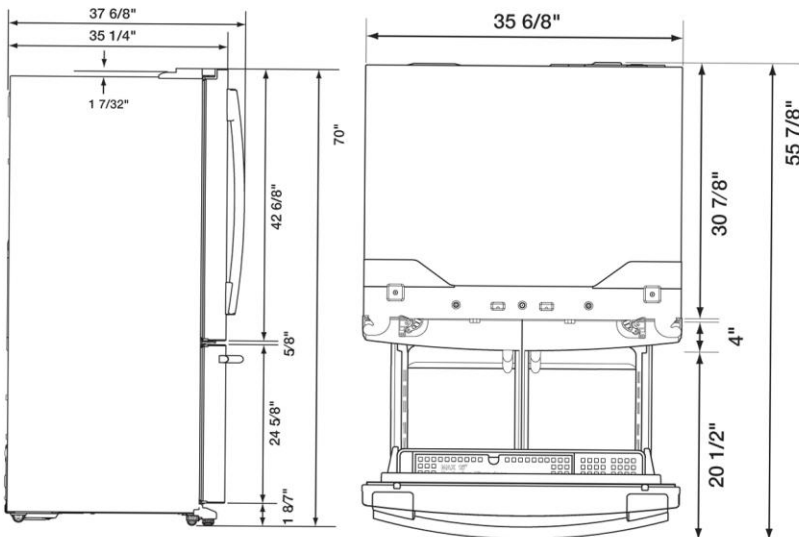
Installing your Refrigerator

1. Measure the height, width and depth of the opening, making sure to include baseboards, molding tile, countertop overhang, etc. Check to be sure there is enough room to open the door (consider walls, islands or other obstacles when measuring).
2. Refer to chart B below to determine dimensions.
3. Allow 2" of clearance on hinge side of refrigerator when installing next to a wall where handle may make contact.
4. Allow 1" minimum clearance at rear for proper air circulation and water/electrical connections. Allow a 3/8" minimum clearance at sides and top for ease of installation.
5. Ensure each door and entry way in the home is wide enough for the refrigerator to be moved through easily.

Please note: The following dimension and cutout information is for planning purposes only. For complete installation details consult manual packed with product, or download manual on-line at samsung.com.



Dimensions



Some hinges cannot be removed, please refer to the dimensions with hinges for product install and delivery dimensions

Actual color may vary. Design, specifications, and color availability are subject to change without notice. Non-metric weights and measurements are approximate.

©2012 Samsung Electronics America, Inc. 85 Challenger Road Ridgefield Park, NJ 07660. Tel: 800-SAMSUNG www.samsung.com. Samsung is a registered trademark of Samsung Electronics Co. Ltd.

Total capacity: 31.6 cu. ft.

Refrigerator: 21.6 cu. ft.

- Premium Wide and Tall External Filtered Water and Ice Dispenser
- IceMaster™ Ice Maker
- High Efficiency LED Lighting
- Stainless Steel Accents on Interior
- Cool Select Pantry™ with Temperature Control
- 2 Humidity Controlled Crispers
- 5 Tempered Glass Spill Proof Shelves
 - 2 Slide Out
 - 1 Slide In
 - 1 Extending Half Shelf
 - 1 Full Width

6 Clear Door Bins

- Right Door: 3 Gallon Bins
- Left Door: 3 Gallon Bins

Freezer: 10 cu. ft.

- 1 Large Opaque Freezer Bin with Divider
- Auto Pull Out Upper Drawer
- Filtered Ice Maker – Cubed
- High Efficiency LED Lighting
- Pizza Pocket

Accessories:

Water Filter: HAF-CIN

Warranty

One (1) Year All Parts and Labor

Five (5) Years Sealed System Parts and Labor

Product Dimensions + Weight

Dimensions: (WxHxD)

(Without Hinges): 35 5/8" x 68 7/8" x 35 5/8"

(With Hinges): 35 5/8" x 70" x 35 5/8"

(With Hinges + Door Handles): 35 5/8" x 70" x 37 5/8"

Weight: 343.9 lbs / 156 kg

Shipping Dimensions + Weight

Dimensions: (WxHxD)

38 3/8" x 75 1/8" x 37 5/8"

Weight: 370.4 lbs / 168 kg

Color

Model #

UPC Code

Stainless Steel

RF323TEDBSR

036725570924

White

RF323TEDBWW

036725570955

Black

RF323TEDBBC

036725570948