

DV50F9A8GVP

Samsung Top Load Gas Dryer

FEATURES

- Steam Drying technology
- 7.4 capacity (cu. ft./DOE)
- Vent Blockage Sensor
- Smart Care
- Moisture Sensor
- Stainless steel drum
- 3-way venting (4-way in electric dryer)
- 15 preset dry cycles and 9 options
- Heating element: 5300W/22,000 BTU/hr
- LED display: Ice Blue

CONVENIENCE

- Reversible see-through door
- Dryer drum light
- Drying rack
- Child lock
- Lint filter indicator
- 5 dry levels
- 5 temperature settings
- 5 timed settings
- 2 signal level settings



SIGNATURE FEATURES

Steam Drying technology

Steam Refresh helps remove odors and freshens clothes. Steam Wrinkle Away relaxes wrinkles to reduce ironing.

Smart Care

Diagnoses error codes without a manual or phone call.

Vent Blockage Sensor

Your Samsung dryer is equipped with a Vent Sensor which detects and notifies you when it is time to clean the ducts. Keep your dryer safe and efficient!

Peace of mind with NSF®-certified steam sanitize cycle

Samsung's NSF®-certified dryers eliminate 99.9% of household bacteria from laundry.



Ranked **“Highest in Customer Satisfaction with Clothes Dryers”** by J.D. Power and Associates.*
(5 Consecutive Years)

Available colors



Stainless Platinum



Neat White

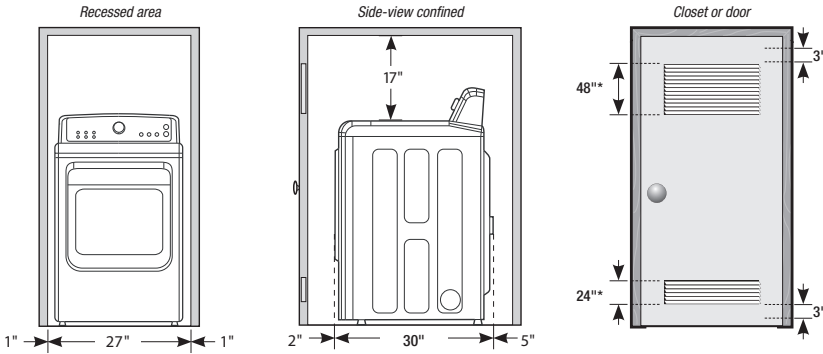
* Samsung received the highest numerical score for clothes dryers in the proprietary J.D. Power and Associates 2008-2012 Laundry Appliance Studies™ 2012 study based on 9,339 total responses measuring 12 brands and measures opinions of consumers about their dryer obtained new in the past 24 months. Proprietary study results are based on experiences and perceptions of consumers surveyed in January-February 2012. Your experiences may vary. Visit jdpower.com.

DV50F9A8GVP

Samsung Top Load Gas Dryer

INSTALLING YOUR DRYER

Alcove or closet installation



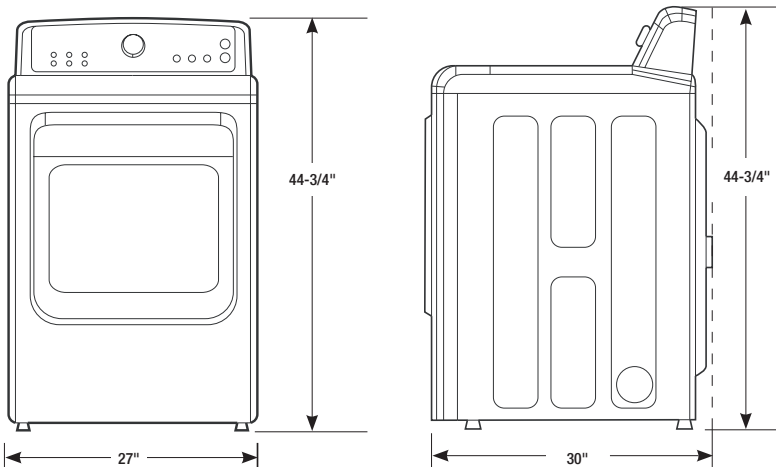
Minimum clearances for closets and alcoves:

- Sides – 1"
- Top – 17"
- Rear – 5"
- Closet front – 2"

If the washer and dryer are installed together, the closet front must have at least a 72 in (465 cm) unobstructed air opening. Your washer alone does not require a specific air opening.

* Required spacing.
(External exhaust elbow requires additional space)

Dimensions:



7.4 capacity (cu. ft./DOE)

Stainless steel drum

3-way venting (4-way in electric dryer)

15 preset dry cycles:

Refresh, Steam Sanitize, Wrinkle Away, Normal, Heavy Duty, Towels, Permanent Press, Bedding, Delicates, Jeans, Sanitize, Time Dry, Air Fluff, Quick Dry, Rack Dry

9 options:

Mixed Load Bell, Wrinkle Prevent, Adjust Time, My Cycle, Child Lock, Signal On/Off, Anti Static, Small Load Care, Drum Light

5 dry levels:

Very Dry, More Dry, Normal Dry, Less Dry, Damp Dry

5 temperature settings:

High, Medium, Medium Low, Low, Extra Low

5 timed settings:

60 min., 50 min., 40 min., 30 min., 20 min.

2 signal level settings: On/Off

Warranty

One (1) Year Parts and Labor

Two (2) Years Control Board

Product dimensions & weight (WxHxD)

Dimensions: 27" x 44³/₄" x 30"

Weight: 128.2 lbs

Shipping dimensions & weight (WxHxD)

Dimensions: 29¹/₂" x 47" x 31¹/₈"

Weight: 139.6 lbs

Electric

Model #	UPC Code
Stainless Platinum DV50F9A8EVP	887276018461
Neat White DV50F9A8EVW	887276018003

Gas

Model #	UPC Code
Stainless Platinum DV50F9A8GVP	887276018713
Neat White DV50F9A8GVW	887276018010

Matching Washer

Stainless Platinum WA50F9A8DSP	887276018140
Neat White WA50F9A8DSW	887276017860