



# DW7933LRA

## Samsung Dishwasher

### Features

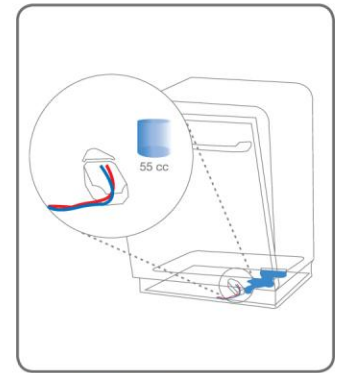
- Quiet Operation – 50 dBA
- Energy Star Rated: 279 kWh / year
- Water Consumption: 4 gallons
- Hidden Heating Element
- Double Filtration System
- 3 Spray Wash Arms (Upper, Middle, Lower)
- 4 Wash Cycles
- 1 Wash Option
- Fan Assisted Condensing Drying System
- 2 Piece Silverware Basket
- 2" adjustable Racking System
- Stainless Steel Interior

### Convenience

- Child Lock
- Rinse Refill Indicator
- Cycle Progress Indicator
- Last Cycle Memory
- Audible End of Cycle Signal
- Self-Cleaning Filtration System
- True Hold Door
- Seven Sensors (Digital Water Leakage, Low Level Water, Overflow, Sanitize, Turbidity, Water Fill)



Hidden Heat Element reduces the risk of melting plastic.



Digital Leakage Sensor

### Signature Features

#### Available Colors



Stainless Steel (shown)



White



Black

#### Performance

Our powerful dishwasher is engineered to deliver washing cycles that are rated among the quietest in their class. Now it's possible to talk on the phone or converse with guests in the kitchen.

#### ENERGY STAR

This dishwasher is ENERGY STAR® 2012 compliant so that you can save money on your energy and water bills.

#### Hard Food Disposer

Our advanced system allows for easier disposal of solid food particles with no need to pre-rinse.

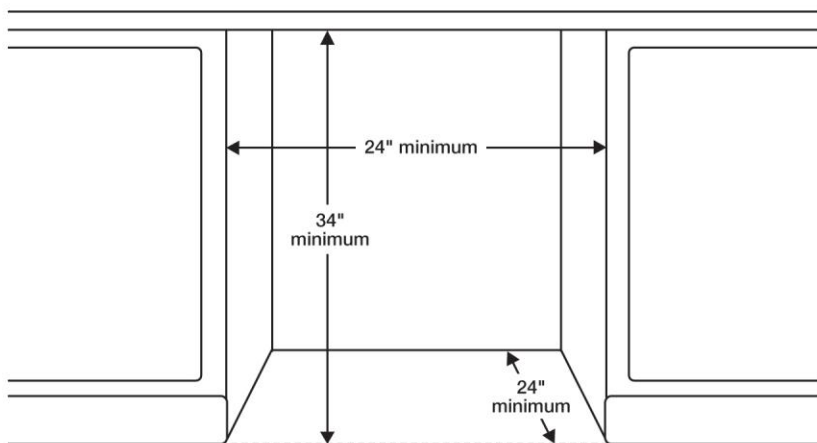
\* Based on comparative noise tests conducted by Owens-Corning and not necessarily on statistical significance.



# DW7933LRA

## Samsung Dishwasher

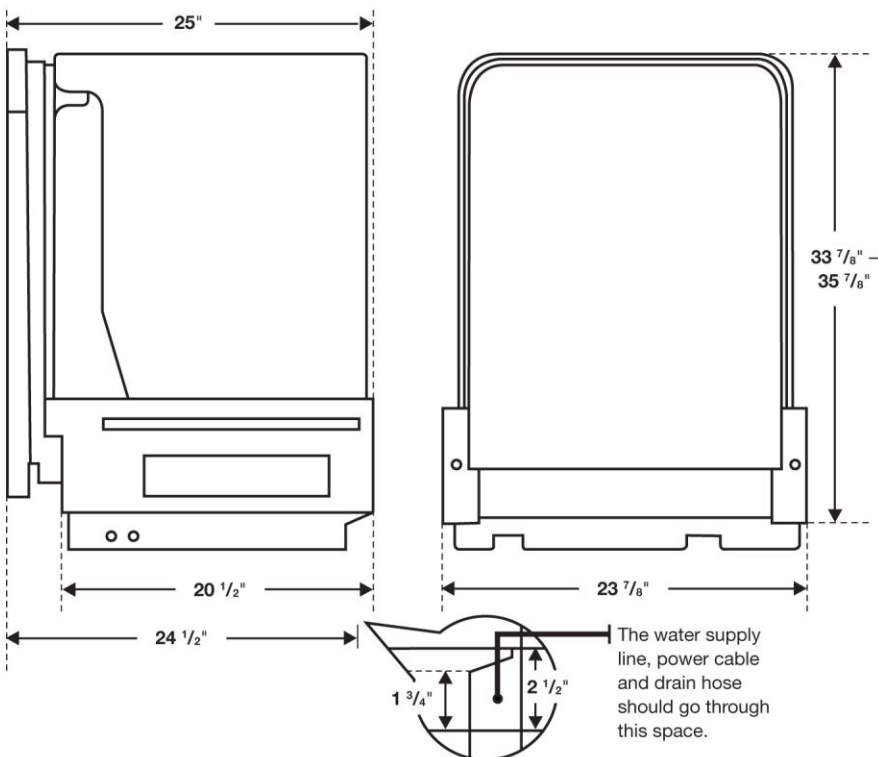
### Installing your Dishwasher



### Dimensions

Side View

Rear View



#### Performance

**4 Wash Cycles:** Heavy, Normal, Quick Plus, Smart Auto Wash

**1 Option:** Sanitize (Anti-bacterial-NSF)

**4 Control Buttons:** Cancel and Drain (2 Buttons), Child Lock (1 Button), Start & Pause (1 Button)

- 2-Stage Filtration: Eliminates the need for pre-rinsing.
- Hidden Heat Element reduces the risk of melting plastic.
- Stainless Steel interior tub resists staining and retains heat for better drying performance.

#### Convenience Features

- Child Lock
- Audible End of Cycle Signal
- Digital Water Leakage Sensor detects water leaks before they happen and shuts off the dishwasher to prevent water damage.
- Nylon Racking
- 2 Piece Silverware Basket
- Upper Rack: 2 Cup Shelves, 3 Adjustable Tines
- Upper Rack: 2 Fold Down Tine
- Lower Rack: 1 Removable Tine
- Cutlery Sleeves

#### Warranty

One (1) Year All Parts and Labor

Five (5) Year limited on printed circuit board and interior nylon racks

Lifetime limited warranty on stainless steel door liner and tub for leakage

#### Product Dimensions + Weight

**Dimensions:** (height is adjustable)

(WxHxD) 23 7/8" x 33 7/8" – 35 7/8" x 24 1/2"

**Weight:** 103.6 lbs / 47 kg

#### Shipping Dimensions + Weight

**Dimensions:** (WxHxD) 27 1/4" x 37 3/4" x 28 7/8"

**Weight:** 123.5 lbs / 56 kg

Color	Model #	UPC Code
Stainless Steel	DW7933LRASR	036725590380
White	DW7933LRAWW	036725590373
Black	DW7933LRABB	036725590366