



WF457ARGSGR

4.5 cu. ft. LCD + Smart Control Front Load Washer

Features

- 8" Touch Screen LCD
- 4.5 cu. ft. Capacity*
- VRT Plus™ – Quiet Operation, Perfect for 2nd Floor Installation
- PowerFoam™ – Efficient, Deep Clean
- Eco Cold Wash
- Steam Washing
- Smart Grid Capable
- Diamond Drum™ – For Gentler Washing
- PureCycle™ – A Washer that Cleans Itself
- Direct Drive Motor
- 1300 RPM Maximum Spin Speed
- Internal Water Heater
- 21 Preset Wash Cycles
- 12 Options

Convenience

- Add A Garment Option
- Child Lock
- End-Of-Cycle Signal (On / Off)
- Delay Start – Up to 24 Hours
- Automatic Dispensers: Pre Wash, Main Wash, Bleach, Fabric Softener
- Optional Pedestals or Stacking Kit Available
- Drum Light

Energy Star Rated:

Rated CEE Tier 3: Most Efficient
MEF=3.42
WF=2.68
90 kWh / year



Ranked **"Highest in Customer Satisfaction with Clothes Washers"** by J.D. Power and Associates.**



(Shown with optional pedestal)



8" Touch Screen LCD



4.5 cu. ft.* stainless steel drum

Signature Features

Available Colors



Onyx (shown)



Neat White

Note: All models with Bright Chrome Trim

SpeedSpray

A cleansing jet shoots water and detergent, and a rinsing jet shoots clean water rapidly, reducing washing time – by up to 15 minutes.

8" Touch Screen LCD

A faster, easier way to control washer functions. A simple Touch Screen LCD makes it easier to select washer options, and the Smart Control app allows you to remotely control your washer**.

Smart Control

Save time with smartphone control

This innovative smartphone app lets you remotely start your washer and select the cycle, time and water temperature from anywhere within a wireless network.**

** Samsung received the highest numerical score for clothes washers (2009-2010) and dryers (2008-2010) in the proprietary J.D. Power and Associates Laundry Appliance StudiesSM. 2010 study based on 10,344 total responses measuring 17 brands and measures opinions of consumers who purchased their washer or dryer from a retail store or their new-home builder during the previous 24 months. Proprietary study results are based on experiences and perceptions of consumers surveyed in March-April 2010. Your experiences may vary. Visit jdpower.com.

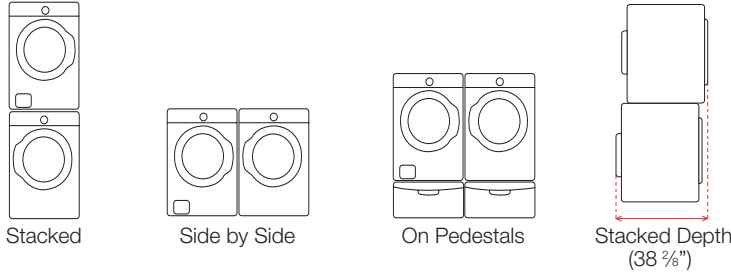
*** Available for iPhone 4/4S and Galaxy S1/S2.



WF457ARGSGR

4.5 cu. ft. VRT Plus™ Steam & PowerFoam™ Front Load Washer

Installation Options:



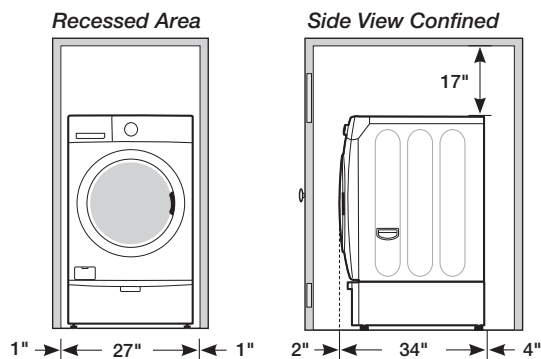
Installing your washer

1. Alcove or closet installation

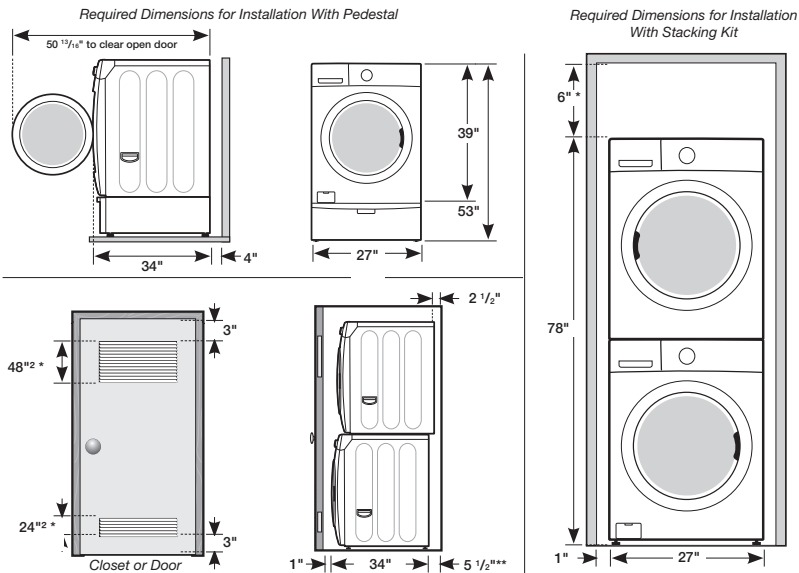
Minimum clearances for closets and alcove:

- Sides - 1 in. (2.5 cm)
- Top - 17 in. (43.2 cm)
- Rear - 4 in. (10.2 cm)
- Closet Front - 2 in. (5.1 cm)

If the washer and dryer are installed together, the closet front must have at least a 72 in² (465cm²) unobstructed air opening. Your washer alone does not require a specific air opening.



2. With optional pedestal base or stacking kit



* Required spacing ** External exhaust elbow requires additional space.

Fabric Care

21 Preset Wash Cycles (all cycles use PowerFoam™ technology with the exception of Rinse and Spin)

Eco Cold Wash, Normal, Heavy Duty, Permanent Press, Sanitize, BeddingPlus, Deep Steam, Stain Away, Active Wear, Delicates / Hand Wash, Wool, Quick Wash, Rinse and Spin, 6 Specialty Cycles, Spin Only, PureCycle™

12 Options

Steam, Delay Start-Up to 24 Hours, My Cycle, Pre Wash, Extra Rinse, Extended Spin, Signal On/Off button, Garmet +, Drum Light, Child Lock, Smart Control, Smart Care

5 Temperature Settings

Extra Hot / Cold, Hot / Cold, Eco Warm / Cold, Warm / Cold, Cold / Cold

5 Spin Speeds

Extra High, High, Medium, Low, No Spin

5 Soil Levels

Heavy, ▲, Normal, ▼, Light

2 Signal Sound Levels:

On, Off

Accessories:

Stacking Kit: SK-5A

Pedestal: WE357A0C, WE357A0W

Warranty

One (1) Year All Parts and Labor

Two (2) Years Control Board

Three (3) Years Stainless Steel Tub

Ten (10) Years Motor

Product Dimensions + Weight

Dimensions: (WxHxD) 27" x 39" x 34"

Weight: 231.3 lbs / 105 kg

Shipping Dimensions + Weight

Dimensions: (WxHxD) 29 5/8" x 41 3/4" x 35 1/4"

Weight: 242.3 lbs / 110 kg

Color	Model #	UPC Code
Neat White	WF457ARGSWR	036725570832
Onyx	WF457ARGSGR	036725570566

Matching Dryer (Electric/Gas)

Neat White	DV457EVGSWR	036725570849
Neat White	DV457GVGSWR	036725570856
Onyx	DV457EVGSGR	036725570573
Onyx	DV457GVGSGR	036725570788

* 4.29 cu. ft. measured as per Department of Energy

Actual color may vary. Design, specifications, and color availability are subject to change without notice. Non-metric weights and measurements are approximate.

©2012 Samsung Electronics America, Inc. 85 Challenger Road Ridgefield Park, NJ 07660. Tel: 800-SAMSUNG www.samsung.com. Samsung is a registered trademark of Samsung Electronics Co. Ltd.