



DV455EVGSGR

7.5 cu. ft. Capacity Electric Steam Dryer

Features

- Steam Drying Technology:
 - Steam Refresh: Freshens up clothes and removes odors
 - Steam Wrinkle Away: Relaxes wrinkles to reduce ironing
- Eco Normal Dry Cycle
- Stainless Steel Drum
- 7.5 cu. ft. Capacity
- 13 Preset Drying Cycles
- 9 Options
- 5 Temperature Settings
- 4 Way Venting

Convenience

- Sensor Dry – Detects Moisture and Adjusts Drying Time
- Drying Rack
- Dryer Drum Light
- Reversible See-through Door
- Child Lock
- My Cycle Option
- Delay Start – Up to 24 Hours
- Lint Filter Indicator
- Remaining Time Display
- Adjustable End-of-Cycle Signal (On / Off)
- Optional Pedestals or Stacking Kit Available



Ranked **“Highest in Customer Satisfaction with Clothes Dryers”** by J.D. Power and Associates.*



(Shown with optional pedestal)



13 Cycles



9 Options

Signature Features

Available Colors



Note: All models with Bright Chrome Trim

Smart Control

Save time with smartphone control
 This innovative smartphone app lets you remotely start your washer and select the cycle, time and water temperature from anywhere within a wireless network.**

Steam Drying Technology Refresh and Wrinkle Away

These cycles infuse clothes with steam to reduce wrinkles, remove odors, and refresh clothing.

Smart Care

Convenient troubleshooting
 Perform a quick diagnosis and get access to troubleshooting options on your smartphone**

* Samsung received the highest numerical score for clothes washers (2009-2010) and dryers (2008-2010) in the proprietary J.D. Power and Associates Laundry Appliance StudiesSM. 2010 study based on 10,344 total responses measuring 17 brands and measures opinions of consumers who purchased their washer or dryer from a retail store or their new-home builder during the previous 24 months. Proprietary study results are based on experiences and perceptions of consumers surveyed in March-April 2010. Your experiences may vary. Visit jdpower.com.

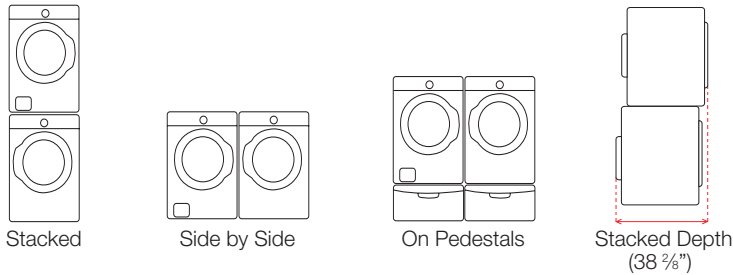
**Available for iPhone 4/4S and Galaxy S1/S2.



DV455EVGSGR

7.5 cu. ft. Capacity Electric Steam Dryer

Installation Options:



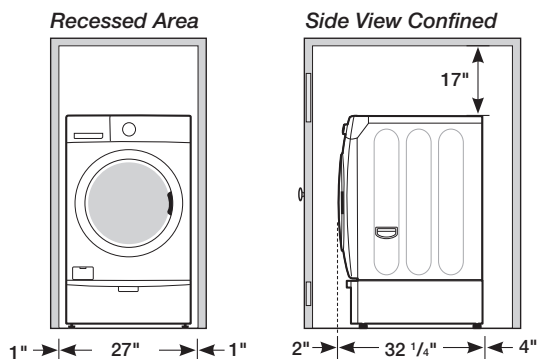
Installing your dryer

1. Alcove or closet installation

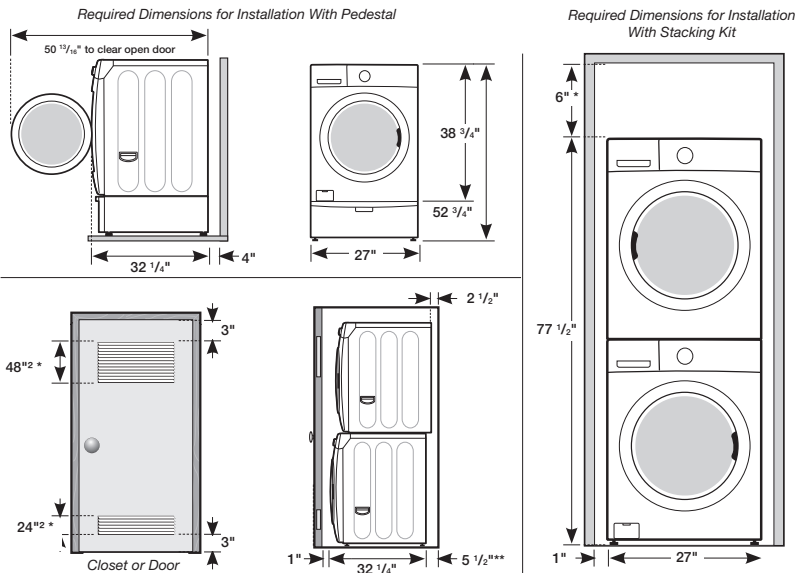
Minimum clearances for closets and alcove:

- Sides - 1 in. (2.5 cm)
- Top - 17 in. (43.2 cm)
- Rear - 4 in. (10.2 cm)
- Closet Front - 2 in. (5.1 cm)

If the washer and dryer are installed together, the closet front must have at least a 72 in² (465cm²) unobstructed air opening. Your washer alone does not require a specific air opening.



2. With optional pedestal base or stacking kit



* Required spacing ** External exhaust elbow requires additional space.

Fabric Care

13 Preset Dry Cycles

Steam Refresh, Steam Wrinkle Away, Eco Normal, Normal, Heavy Duty, Permanent Press, Bedding, Delicates, Wool, Sanitize, Time Dry, Air Fluff, Quick Dry

9 Options

Mixed Load Bell, Wrinkle Prevent, Delay Start-Up to 24 Hours, My Cycle, Rack Dry, Adjust Time, Drum Light, Smart Control, Smart Care

5 Temperature Settings

High, Medium, Medium Low, Low, Extra Low

5 Dry Levels

Very Dry, More Dry, Normal Dry, Less Dry, Damp Dry

2 Signal Sound Levels

On, Off

Accessories:

Stacking Kit: SK-5A

Vent Kit: DV-1A

Pedestal: WE357A0C, WE357A0W

Warranty

One (1) Year All Parts and Labor

Two (2) Years Control Board

Product Dimensions + Weight

Dimensions: (WxHxD) 27" x 38 3/4" x 32 1/4"

Weight: 125.6 lbs / 57 kg

Shipping Dimensions + Weight

Dimensions: (WxHxD) 29 3/8" x 42 3/8" x 33 1/2"

Weight: 134.4 lbs / 61 kg

Color	Model #	UPC Code
Neat White	DV455EVGSWR	036725570597
Onyx	DV455EVGSGR	036725570818

Matching Washer

Neat White	WF455ARGSWR	036725570580
Onyx	WF455ARGSGR	036725570801