



# DV422GWHDR

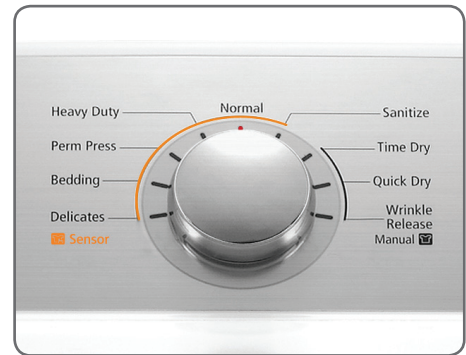
## 7.2 cu. ft. Capacity Gas Top Loading Dryer

### Features

- 7.2 cu. ft. Capacity
- 9 Preset Drying Cycles
- 5 Options
- 4 Temperature Settings
- 3 Way Venting

### Convenience

- Sensor Dry – Detects Moisture and Adjusts Time
- Child Lock
- Door Safety
- Lint Filter Indicator
- Remaining Time Display
- Adjustable End-of-Cycle Signal



9 Cycles



5 Options

### Signature Features

#### Available Colors



#### Sanitize Cycle

Peace of mind with NSF® certified sanitization cycle. Eliminates 99.9% of household germs from laundry.

#### Sensor Dry For the perfect dry every time

Detects the moisture level in the load and adjusts the drying time to save time and money.

#### Wrinkle Prevent Option to reduce ironing time

Intermittently tumbles clothes at the end of the drying cycle to help prevent wrinkles from setting in.



Ranked **“Highest in Customer Satisfaction with Clothes Dryers”** by J.D. Power and Associates.\*

\* Samsung received the highest numerical score for clothes washers (2009-2010) and dryers (2008-2010) in the proprietary J.D. Power and Associates Laundry Appliance Studies™. 2010 study based on 10,344 total responses measuring 17 brands and measures opinions of consumers who purchased their washer or dryer from a retail store or their new-home builder during the previous 24 months. Proprietary study results are based on experiences and perceptions of consumers surveyed in March-April 2010. Your experiences may vary. Visit [jdpower.com](http://jdpower.com).



# DV422GWHDR

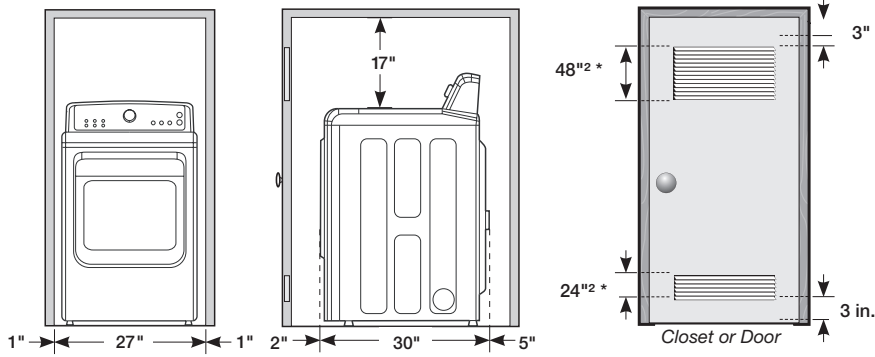
## 7.2 cu. ft. Capacity Gas Top Loading Dryer

### Installing your dryer

#### Alcove or closet installation

Recessed Area

Side View Confined



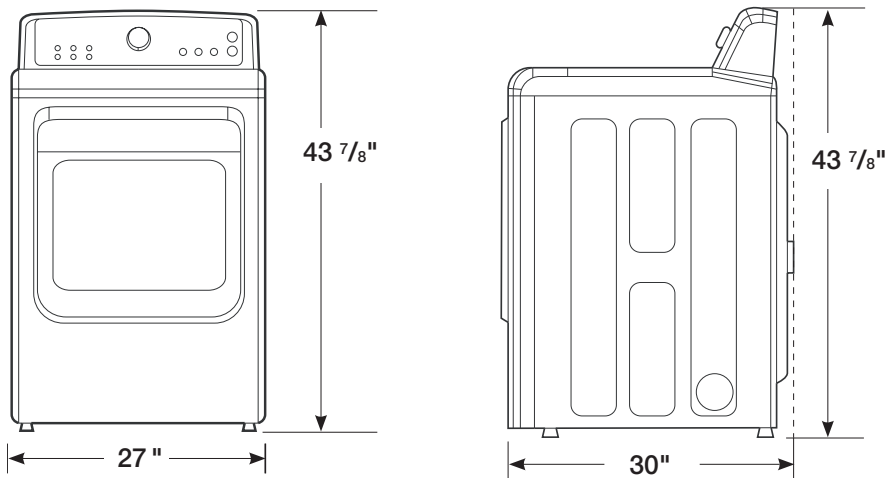
#### Minimum clearances for closets and alcove:

- Sides - 1"
- Top - 17"
- Rear - 5"
- Closet Front - 2"

If the washer and dryer are installed together, the closet front must have at least a 72 in<sup>2</sup> (465cm<sup>2</sup>) unobstructed air opening. Your washer alone does not require a specific air opening.

\* Required spacing  
 \*\* External exhaust elbow requires additional space.

### Dimensions



#### Fabric Care

##### 9 Preset Dry Cycles

Normal, Heavy Duty, Permanent Press, Bedding, Delicates, Sanitize, Time Dry, Quick Dry, Wrinkle Release

##### 5 Options

Wrinkle-prevent, Adjust Time, My Cycle, Signal On/Off button, Child Lock

##### 3 Temperature Settings

High, Medium, Low

##### 4 Dry Levels

Very Dry, More Dry, Normal Dry, Damp Dry

##### 2 Signal Sound Levels

On, Off

#### Accessories:

Vent Kit: DV-1A

#### Warranty

One (1) Year All Parts and Labor  
 Two (2) Years Control Board

#### Product Dimensions + Weight

Dimensions: (WxHxD) 27" x 43 7/8" x 30"  
 Weight: 125.6 lbs / 57 kg

#### Shipping Dimensions + Weight

Dimensions: (WxHxD) 29 1/2" x 46 1/2" x 31 1/8"  
 Weight: 134.4 lbs / 61 kg

Color	Model #	UPC Code
Neat White	DV422GWHDR	036725590410

#### Matching Washer

Neat White	WA422PRHDR	036725590397
------------	------------	--------------