



DV456EWHD

7.3 cu. ft. Capacity Electric Top Loading Dryer

Features

- 7.3 cu. ft. Capacity
- 11 Preset Drying Cycles
- 7 Options
- 4 Temperature Settings
- 4 Way Venting

Convenience

- Sensor Dry – Detects Moisture and Adjusts Time
- Dryer Drum Light
- Child Lock
- Door Safety
- Lint Filter Indicator
- Remaining Time Display
- Adjustable End-of-Cycle Signal



11 Cycles



7 Options

Signature Features

Available Colors



Platinum (shown)



Neat White

Smart Care

Convenient troubleshooting

Perform a quick diagnosis and get access to troubleshooting options on your smartphone.**

Sensor Dry

For the perfect dry every time

Detects the moisture level in the load and adjusts the drying time to save time and money.

Wrinkle Prevent Option

to reduce ironing time

Intermittently tumbles clothes at the end of the drying cycle to help prevent wrinkles from setting in.



Ranked **"Highest in Customer Satisfaction with Clothes Dryers"** by J.D. Power and Associates.*

* Samsung received the highest numerical score for clothes washers (2009-2010) and dryers (2008-2010) in the proprietary J.D. Power and Associates Laundry Appliance Studies™, 2010 study based on 10,344 total responses measuring 17 brands and measures opinions of consumers who purchased their washer or dryer from a retail store or their new-home builder during the previous 24 months. Proprietary study results are based on experiences and perceptions of consumers surveyed in March-April 2010. Your experiences may vary. Visit jdpower.com.

**Available for iPhone 4/4S and Galaxy S1/S2.



DV456EWHD

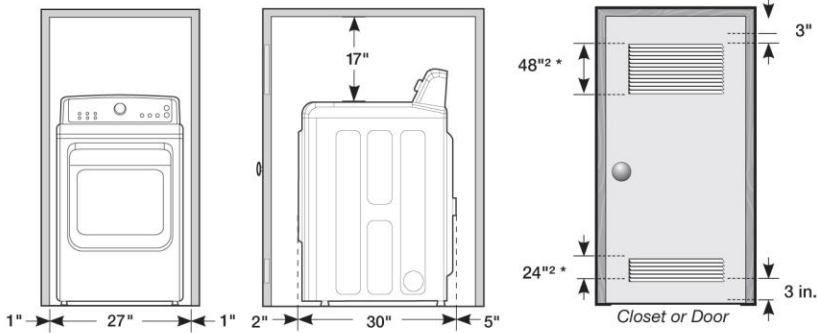
7.3 cu. ft. Capacity Electric Top Loading Dryer

Installing your dryer

Alcove or closet installation

Recessed Area

Side View Confined



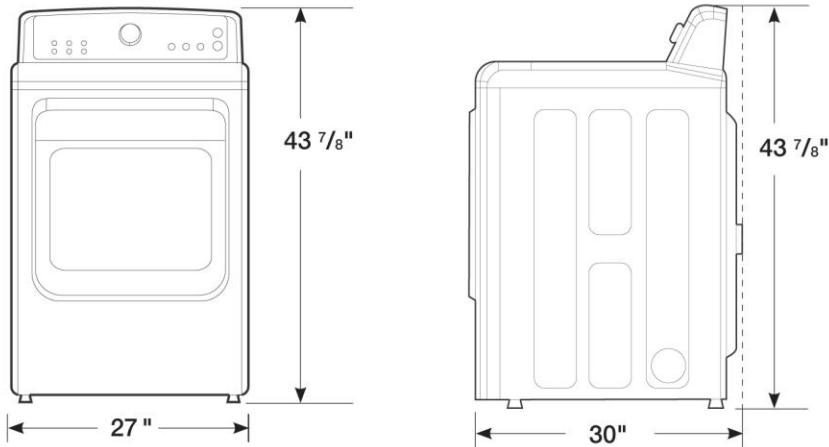
Minimum clearances for closets and alcove:

- Sides - 1"
- Top - 17"
- Rear - 5"
- Closet Front - 2"

If the washer and dryer are installed together, the closet front must have at least a 72 in² (465cm²) unobstructed air opening. Your washer alone does not require a specific air opening.

* Required spacing
 ** External exhaust elbow requires additional space.

Dimensions



Fabric Care

11 Preset Dry Cycles

Normal, Heavy Duty, Towels, Permanent Press, Bedding, Delicates, Sanitize, Time Dry, Air Fluff, Quick Dry, Wrinkle Release

7 Options

Mixed Load Bell, Wrinkle-prevent, Adjust Time, Child Lock, Signal On/Off button, Drum Light, My Cycle

4 Temperature Settings

High, Medium, Medium Low, Low

4 Dry Levels

Very Dry, More Dry, Normal Dry, Damp Dry

2 Signal Sound Levels

On, Off

Accessories:

Vent Kit: DV-1A

Warranty

One (1) Year All Parts and Labor
 Two (2) Years Control Board

Product Dimensions + Weight

Dimensions: (WxHxD) 27" x 43 7/8" x 30"
 Weight: 125.6 lbs / 57 kg

Shipping Dimensions + Weight

Dimensions: (WxHxD) 29 1/2" x 46 1/2" x 31 1/8"
 Weight: 134.4 lbs / 61 kg

Color

Model

UPC Code

Stainless Steel	DV456EWHDSU	036725590519
Neat White	DV456EWHDWR	036725590465

Matching Washer

Stainless Steel	WA456DRHDSU	036725590502
Neat White	WA456DRHDWR	036725590458