



SMH1816S

1.8 cu. ft. Over-the-Range Microwave

Features

- 1.8 cu. ft. Oven Capacity
- 1100 Watts Cooking Power
- 400 CFM Ventilation System
- Charcoal / Grease Vent Filter
- 10 Power Levels
- 12 Sensor Cook Options
- Four Instant Cook Pads
- Two-Stage Programmable Cooking
- Auto Defrost / Sensor Reheat
- Auto Cook: Kids Meals (4), Snacks (4), Soften / Melt (4), 1 Lb Defrost, Auto Defrost, Custom Cook

Convenience

- Chrome Rack
- Clock (12hr / 24hr) with Daylight Savings time Adjustment
- Kitchen Timer
- End Signal
- Interior Light: Incandescent (1)
- Cooktop Lighting (1): High / Low / Off
- Vent Fan Control: High / Medium / Low / Off
- Child Safety Lock
- Sound On / Off
- Eco Mode (reduces standby power)



Stylish design compliments Samsung brand kitchen appliances.



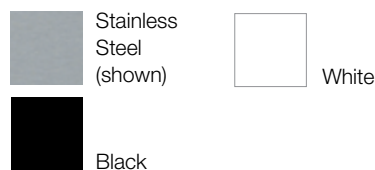
Removable Chrome Rack allows for Multiple Level or Two-tier Cooking and Reheating.



Digital touch control lets you easily program the desired cooking time and power. Features a blue 1 Line VFD Display – compliments any kitchen decor.

Signature Features

Available Colors



400 CFM Ventilation System

Samsung's powerful ventilation system quickly and quietly eliminates any food odors.

Sensor Cooking

Adjusts the cooking time based on the vapors emitted from the food during cooking and reheating.

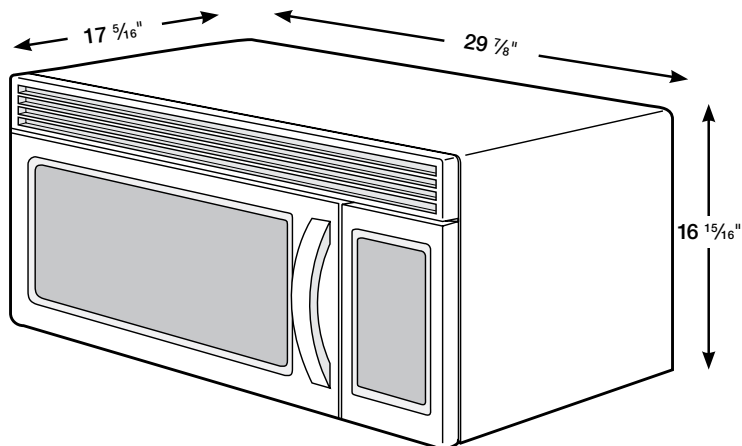
Electronic Touch Control Style and function

Lets you easily program the desired cooking time and power level, at the gentle press of a button, for error-free results every time.



SMH1816S

1.8 cu. ft. Over-the-Range Microwave

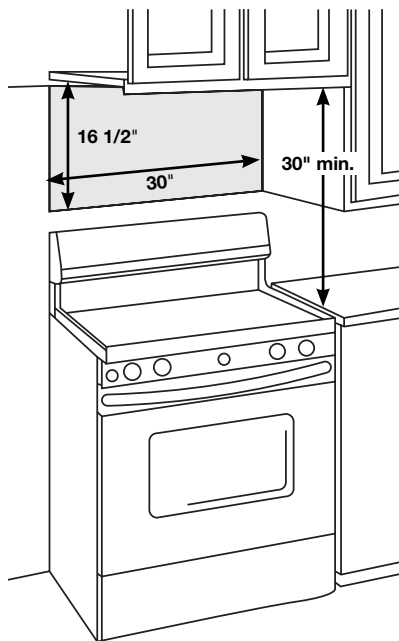


Installing your Microwave

This microwave oven is designed for adaptation to the following three types of ventilation:

- A. Outside Top Exhaust (Vertical Duct)
- B. Recirculating (Non-Vented Ductless)
- C. Outside Back Exhaust (Horizontal Duct)

- The space between the cabinets must be 30" wide and free of obstructions.
- This microwave oven is for installation over ranges up to 36" wide.
- The Microwave must be level. Use a level to make sure the cabinet bottom is level. If the cabinets have a front overhang only, with no back or side frame, install the mounting plate down the same distance as the front overhang depth. This will keep the microwave level. depth of the front overhang.



FOR EASIER INSTALLATION AND PERSONAL SAFETY, WE RECOMMEND THAT TWO PEOPLE INSTALL THIS MICROWAVE OVEN. IMPORTANT: Do not grip or use handle during installation.

NOTE: If your cabinet is metal, use the nylon grommet around the power cord hole to prevent cutting of the cord.

NOTE: We recommend using filler blocks if the cabinet front hangs below the cabinet bottom shelf.

IMPORTANT: If filler blocks are not used, case damage may occur from over tightening screws.

NOTE: When mounting the microwave oven, thread power cord through hole in bottom of top cabinet. Do not pinch cord or lift oven by pulling cord.

Specifications

- Oven Cavity: 1.8 cu. ft.
- Power Output: 1100 W
- Power Consumption: 1700 W / 14.5 A
- Power Source: 120 V / 60 Hz
- Control Method: Digital (Membrane Touch)
- Display: 1 Line VFD
- Cooking Control: 10 Power Levels including Defrost and 12 Sensor Cook Options
- Cooking Timer: Digital, up to 99 Minutes, 99 Seconds
- Microwave Distribution System: Rotating Turntable
- Glass Turntable Diameter: 14 3/16"
- Chrome Rack (1)
- Vent Fan: 400 CFM
- Vent Fan Control: On / Off / Delay Off
- Cooktop Lighting: High / Low / Off

Warranty

One (1) Year All Parts and Labor
Ten (10) Years Parts on Magnetron

Product Dimensions + Weight

Cavity Dimensions (WxHxD) 20 13/16" x 10 13/16" x 14 9/16"

Unit Outside Net Dimensions (WxHxD) 29 7/8" x 16 15/16" x 17 5/16"

Weight: 51.8 lbs / 23.5 kg

Shipping Dimensions + Weight

Dimensions: (WxHxD) 33 3/8" x 19 7/16" x 20 3/16"
Weight: 61.2 lbs / 27.8 kg

Color	Model #	UPC Code
Stainless Steel	SMH1816S	036725560451
White	SMH1816W	036725560444
Black	SMH1816B	036725560437