



RSG309AARS

30 cu. ft. Side by Side Refrigerator and 8" LCD Digital Display with Apps

Features

- 8" LCD Digital Display with Apps
- Large Capacity – 30 cu. ft.
- Premium External Filtered Water and Ice Dispenser
- Automatic In-Door Ice Maker
- Dual LED Tower Lighting
- Twin Cooling Plus System®
- Multi Air Flow
- Power Freeze and Power Cool Options
- Tempered Glass Spill Proof Shelves
- Gallon Door Bins

Convenience

- Door Alarm
- Water Filter Indicator
- Wine Rack

Energy Star Rated:

Rated CEE Tier 1: Most Efficient
621 kWh / year



30 cu. ft. Side by Side design offers the ultimate in food preservation with Twin Cooling System® technology.



8" LCD Digital Display with Apps.

Signature Features

Available Colors

- Stainless Steel (shown)

Everything you want on your refrigerator, neatly organized in the LCD display

Leave notes for your loved ones; Display photos from your Picasa library, phone, or SD card; View your google calendar; Get recipes from Epicurious; And more on an 8" LCD Screen with Apps.

Keeps Food Fresher Longer

Our Twin Cooling Plus® System separates airflow between the refrigerator and freezer, resulting in improved freshness for fruits and veggies.

Dual LED Tower Lighting

Our strategically placed Dual LED tower lighting brightens every corner so you can better organize the refrigerator and freezer to quickly find what you need.



Ranked **"Highest in Customer Satisfaction with Refrigerators, seven years in a row"** by J.D. Power and Associates.**

** Samsung received the highest numerical score for refrigerators in the proprietary J.D. Power and Associates 2005-2007 Major Home Appliance Studies and 2008-2010 Kitchen Appliance StudiesSM. (2007-2008 received award for satisfaction with side-by-side/French door refrigerators). Study based on 15,853 total responses measuring 16 brands and measures opinions of consumers who purchased refrigerators from a retail store or their new-home builder during the previous 24 months. Proprietary study results are based on experiences and perceptions of consumers surveyed in March-April 2010. Your experiences may vary. Visit jdpower.com.

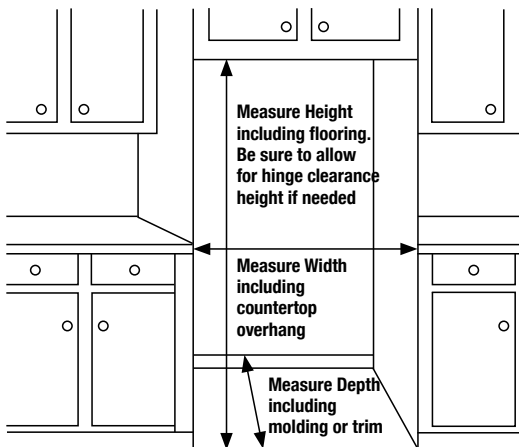
RSG309AARS

30 cu. ft. Side by Side Refrigerator and 8" LCD Digital Display with Apps

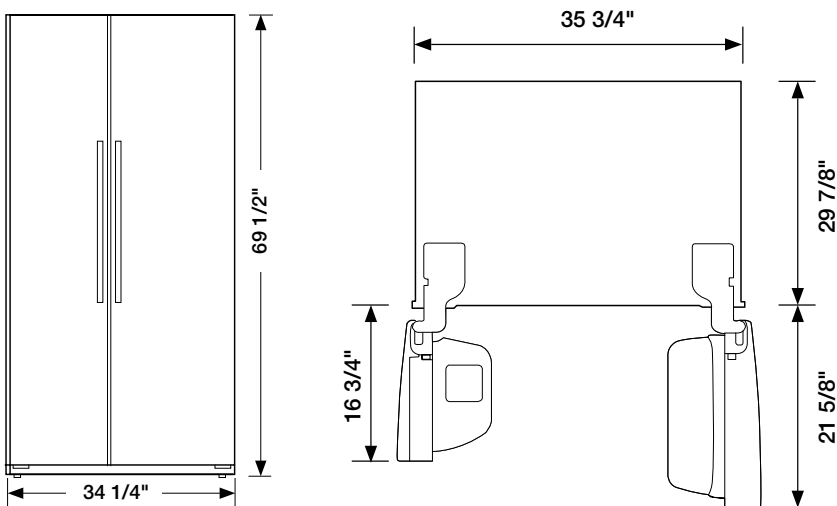
Installing your Refrigerator

1. Measure the height, width and depth of the opening, making sure to include baseboards, molding tile, countertop overhang, etc. Check to be sure there is enough room to open the door (consider walls, islands or other obstacles when measuring).
2. Refer to chart B below to determine dimensions.
3. Allow 2" of clearance on hinge side of refrigerator when installing next to a wall where handle may make contact.
4. Allow 1" minimum clearance at rear for proper air circulation and water/electrical connections. Allow a 3/8" minimum clearance at sides and top for ease of installation.
5. Ensure each door and entry way in the home is wide enough for the refrigerator to be moved through easily.

Please note: The following dimension and cutout information is for planning purposes only. For complete installation details consult manual packed with product, or download manual on-line at samsung.com.



Dimensions



Refrigerator: 18.1 cu. ft.

- Multi Air Flow
- 5 Tempered Glass Spill Proof Shelves
- 2 Clear Drawers and 1 Fresh Drawer
- 5 Clear Door Bins
 - 1 Dairy Bin
 - 3 Gallon Bins
 - 1 Regular Bin
- Dual LED Tower Lighting

Freezer: 11.5 cu. ft.

- 8" LCD Screen with Apps:
 - Memo
 - Epicurious Recipes
 - Picasa Photos
 - WeatherBug
 - Calendar
 - AP News
 - Pandora
 - Twitter
- External Filtered Water and Ice Dispenser
 - Crushed or Cubed Ice
- Automatic In-door Ice Maker
- 5 Glass Shelves
- 2 Clear Drawers
- 3 Clear Door Bins
- Dual LED Tower Lighting

Accessories:

Water Filter: HAF-CIN

Warranty

One (1) Year All Parts and Labor
Five (5) Years Sealed System Parts and Labor

Product Dimensions + Weight

Dimensions: (WxHxD)
(without hinges): 35 3/4" x 69" x 29 7/8"
(with hinges*): 35 3/4" x 69 1/2" x 29 7/8"
(with handles): 35 3/4" x 69 1/2" x 36 3/4"
Weight: 302 lbs / 137 kg

Shipping Dimensions + Weight

Dimensions: (WxHxD) 38 1/4" x 74 13/16" x 38 1/2"
Weight: 341.7 lbs / 155 kg

Color	Model #	UPC Code
Stainless Steel	RSG309AARS	036725560765

*Some hinges cannot be removed, please refer to the dimensions with hinges for product install and delivery dimensions

Actual color may vary. Design, specifications, and color availability are subject to change without notice. Non-metric weights and measurements are approximate.

©2011 Samsung Electronics America, Inc. 85 Challenger Road Ridgefield Park, NJ 07660. Tel: 800-SAMSUNG www.samsung.com. Samsung is a registered trademark of Samsung Electronics Co. Ltd.