

WA51CG8000

SAMSUNG

5.1 cu. ft. Extra-Large Capacity Smart Front Load Washer with Vibration Reduction Technology+



Available Colors



Brushed Black
WF51CG8000AV



White
WF51CG8000AW

Features

- Extra-Large 5.1 cu. ft. Capacity
- Wi-Fi Connectivity with SmartThings¹
- Vibration Reduction Technology+
- ENERGY STAR[®] Most Efficient
- 20-Year Motor Warranty
- Self Clean+
- Swirl+ Drum Interior
- Smart Care
- Flexible Installation
- ADA Compliant²
- Closet-Depth Fit³
- 12 Preset Washing Cycles
- 1200 RPM Maximum Spin Speed
- Digital Inverter Motor
- 7 Washing Options
- 5 Temperature Settings

Convenience

- Child Lock
- Dispenser Trays: Main Wash, Softener, Bleach

Ratings



CEE Tier 3
IMEF = 3.1
IWF = 2.9
95 kWh/yr

Electrical Requirements

120 V / 60 Hz
15 Amps

Specifications

12 Preset Washing Cycles:

Normal, Heavy Duty, Bedding, Quick Wash, Permanent Press, Delicates, Whites, Activewear, Towels, Rinse+Spin, Self Clean+, Downloads

6 Downloadable Washing Cycles:

Wool, Eco Cold, Colors, Outdoor, Denim, Power Rinse

7 Washing Options:

Pre Soak, Delay End, Smart Control, Smart Care, Spin Only, Sound Off, Child Lock

5 Temperature Settings:

Hot, Warmer, Warm, Cool, Cold

5 Spin Settings:

High, Medium High, Medium, Low, No Spin

5 Soil Settings:

Heavy, Medium Heavy, Normal, Medium Low, Light

Warranty

One (1) Year Parts and Labor
Three (3) Years Stainless Steel Tub (Part Only)
Twenty (20) Years; Washing DIT (Digital Inverter Motor) Motor Part (Part Only)

Product Dimensions & Weight (WxHxD)

Dimensions: 27" x 38³/₄" x 33¹/₂"
Weight: 216.1 lbs

Shipping Dimensions & Weight (WxHxD)

Dimensions: 29³/₈" x 42³/₈" x 35³/₈"
Weight: 220.5 lbs

Washer	Model #	UPC Code
--------	---------	----------

Brushed Black	WF51CG8000AV	887276785295
---------------	--------------	--------------

White	WF51CG8000AW	887276785301
-------	--------------	--------------

Matching Electric Dryer

Brushed Black	DVE51CG8000V	887276783550
---------------	--------------	--------------

White	DVE51CG8000W	887276783567
-------	--------------	--------------

Matching Gas Dryer

Brushed Black	DVG51CG8000V	887276783598
---------------	--------------	--------------

White	DVG51CG8000W	887276783604
-------	--------------	--------------

¹Requires wireless network, Samsung account and Samsung SmartThings App. The Samsung Smart Things App supports Android OS 4.0 (ICS) or later, which is optimized for Samsung smartphones (Galaxy S and Galaxy Note series). This app also supports iOS 7 or later for iPhone models. Samsung SmartThings App available in App Store and Play Store.

²ADA Compliant when using 27" wide riser. (Riser model codes: WE272NV, WE272NW)

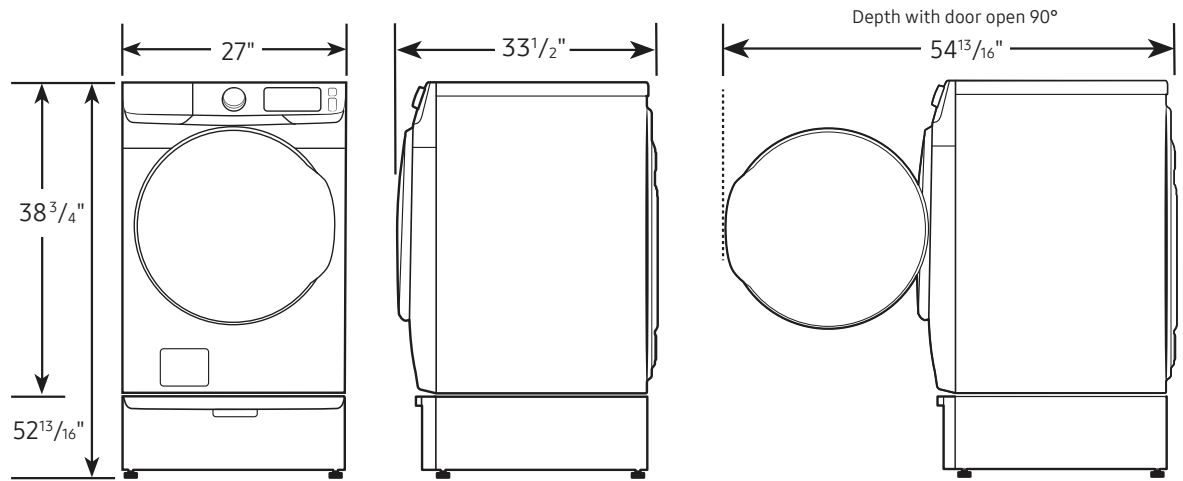
³Designed to fit a 40" installation depth.

WA51CG8000

SAMSUNG

5.1 cu. ft. Extra-Large Capacity Smart Front Load Washer with Vibration Reduction Technology+

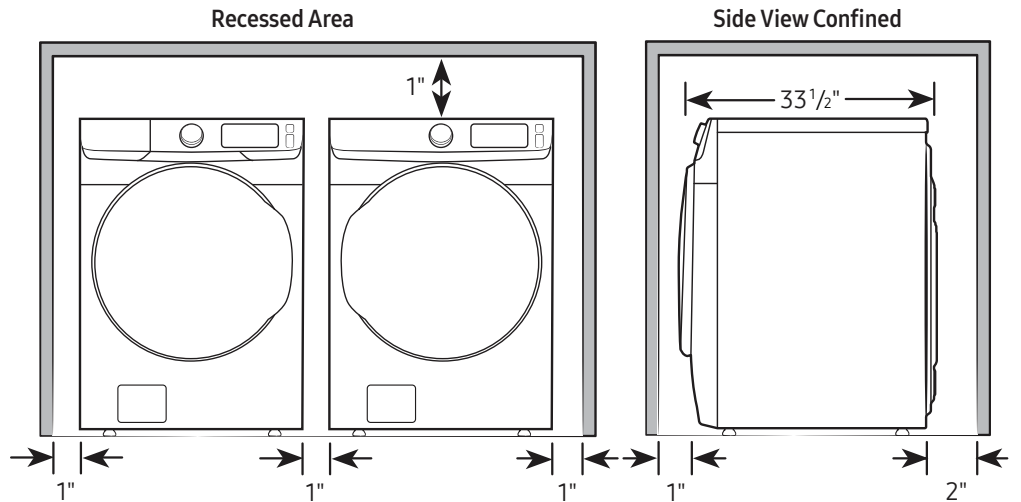
Required dimensions for installation with pedestal:



Installation Specifications – Side-by-Side

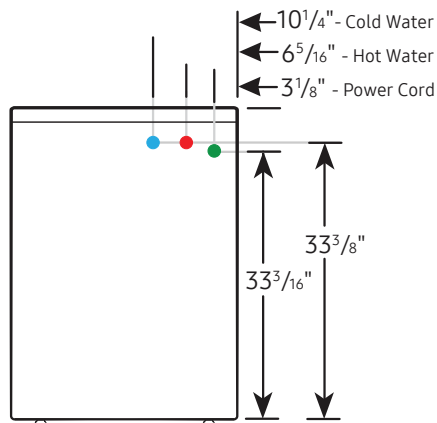
If the washer and dryer are installed together or the dryer alone, the closet front must have two unobstructed air openings for a combined minimum total area of 72-inch². Your washer alone does not require a specific air opening.

Alcove or closet installation
Minimum clearance for
closet and alcove installations:



Connection Dimensions

Back view of washer



LEGEND:

- Cold Water Connection
- Hot Water Connection
- Power Cord

Actual color may vary. Design, specifications, and color availability are subject to change without notice. Non-metric weights and measurements are approximate.

©2023 Samsung Electronics America, Inc., 85 Challenger Road, Ridgefield Park, NJ 07660. Tel: 800-SAMSUNG.samsung.com. Samsung is a registered trademark of Samsung Electronics Co., Ltd.

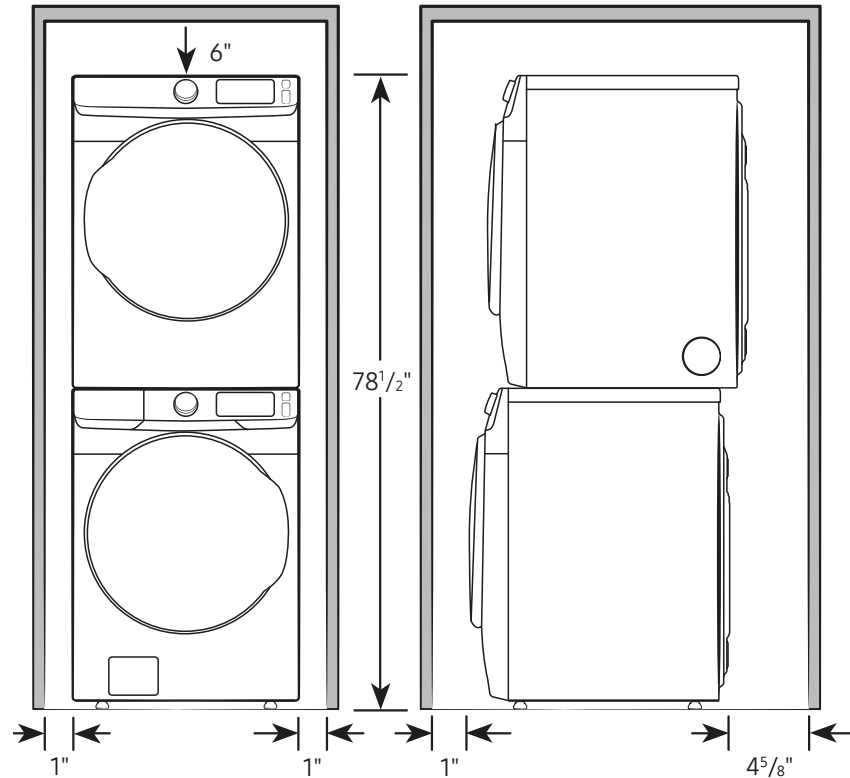
WA51CG8000

SAMSUNG

5.1 cu. ft. Extra-Large Capacity Smart Front Load Washer with Vibration Reduction Technology+

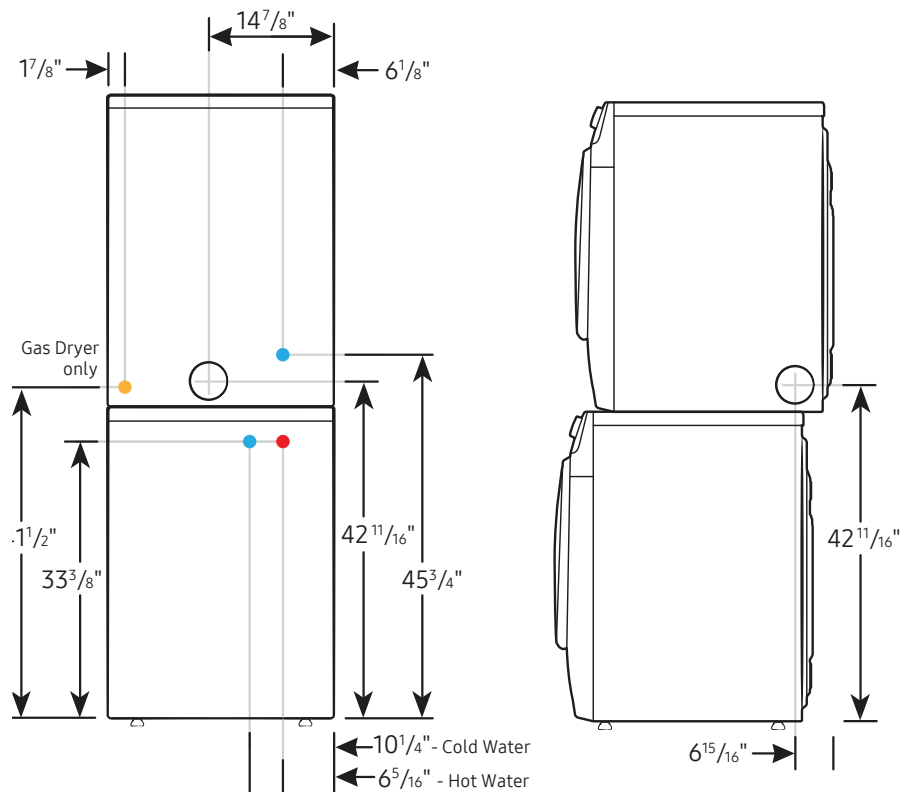
Installation Specifications – Stacked Pair

Clearances indicated are for stacked pairs. The closet front must have two unobstructed air openings for a combined minimum total area of 72-inch².



Connection Dimensions

Back and side views of stacked pair



LEGEND:
● Cold Water Connection
● Hot Water Connection
● Gas Connection

Actual color may vary. Design, specifications, and color availability are subject to change without notice. Non-metric weights and measurements are approximate.

©2023 Samsung Electronics America, Inc., 85 Challenger Road, Ridgefield Park, NJ 07660. Tel: 800-SAMSUNG. samsung.com. Samsung is a registered trademark of Samsung Electronics Co., Ltd.