

SAMSUNG

Product Guide

8711 Series Front Control Slide-In Electric Range

NE63T8711SS

NE63T8711SG

NE63T8711ST

Available in: Fingerprint Resistant Stainless Steel,
Fingerprint Resistant Black Stainless Steel and
Fingerprint Resistant Tuscan Stainless Steel



Table of Contents

NE63T8711 - 6.3 cu. ft. Front Control Slide-in Electric Range with Smart Dial & Air Fry

Product Overview

Product Overview 4

Carousel Image Order and Assets 5

Product Messaging

Core Messaging 7

Features and Benefits 9

Product Specs

Related Products and Accessories 15

Spec Sheet 16

User Manual 17

Feature Icons

19

Product Overview

**NE63T871ISS – 6.3 cu. ft. Front Control Slide-in Electric Range
with Smart Dial & Air Fry**

Product Overview

Product Title

6.3 cu. ft. Front Control Slide-in Electric Range with Smart Dial & Air Fry

Product Description

The new Samsung Front Control Slide-in Electric Range with Smart Dial and Air Fry is fully Wi-Fi connected and voice enabled, giving you the tools you need to simplify the cooking experience in the kitchen.

Available Colors



**Fingerprint Resistant
Stainless Steel**
NE63T8711SS



**Fingerprint Resistant
Black Stainless Steel**
NE63T8711SG



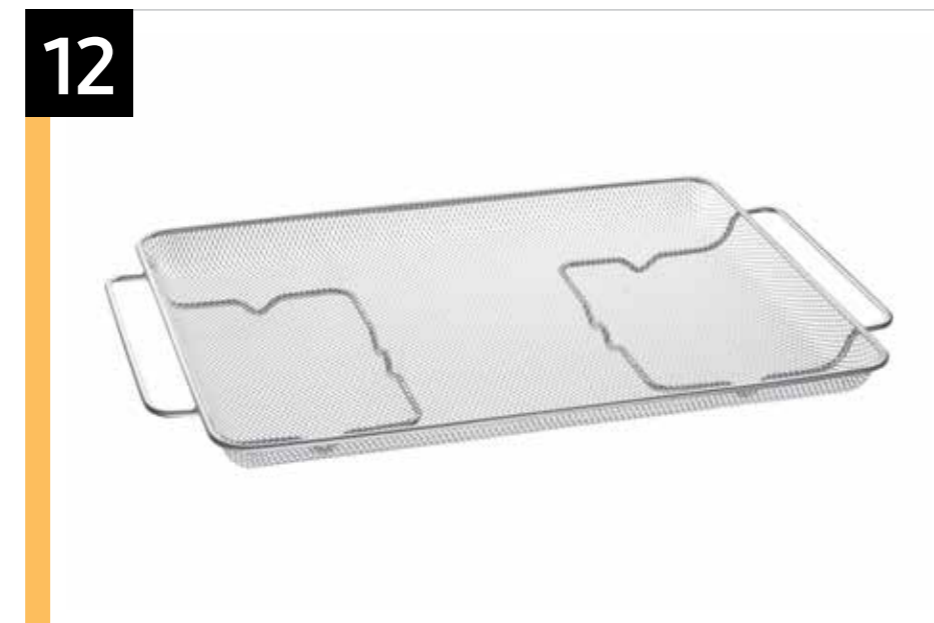
**Fingerprint Resistant
Tuscan Stainless Steel**
NE63T8711ST



Carousel Image Order

Easy Ads links

Fingerprint Resistant Stainless Steel: <http://www.samsungeasyads.com/mm/nicePath/easyads?nav=pr658603959>
Fingerprint Resistant Black Stainless Steel: <http://www.samsungeasyads.com/mm/nicePath/easyads?nav=pr658603974>
Fingerprint Resistant Tuscan Stainless Steel: <http://www.samsungeasyads.com/mm/nicePath/easyads?nav=pr658588015>



Product Messaging

**NE63T8711SS – 6.3 cu. ft. Front Control Slide-in Electric Range
with Smart Dial & Air Fry**

Core Messaging (continued)

Priority	Feature	Feature Headline	Short Copy	Long Copy	
Signature	1	Smart Dial	Learns How You Like to Cook	The new Smart Dial simplifies oven settings in a single dial and learns cooking preferences.	The new Smart Dial simplifies oven settings in a single dial and intuitively learns based on your cooking preferences.
	2	Air Fry	Air Fry - Healthier* Cooking with a Crunch <small>*As compared to deep frying.</small>	A healthier* way to prepare your favorite fried foods right in your oven, with little to no oil. <small>*As compared to deep frying.</small>	Cooking just got healthier* with new Air Fry mode. Using little to no oil, you can quickly prepare your favorite fried foods right in your oven. Air Fry tray included. <small>*As compared to deep frying.</small>
	3	Convection	Save Time with Convection	Cooks food fast and more evenly.	Powerful convection saves you time by cooking food fast and more evenly. Perfect for baking and roasting.
Secondary Features	4	Illuminated Knobs	Know It's On	Illuminated knobs let you know when your cooktop is on or off.	Blue illuminated knobs let you know when your cooktop is on or off.
	5	Fingerprint Resistant Finish	All Shine	Fingerprint resistant, beautiful finish.	Fingerprint resistant, for an everyday beautiful finish.
	6	Express Boil™	Unbelievably Fast	No element is more powerful* – rapidly go from high heat for boiling water and searing meat or turn down to a true simmer. <small>*Based upon wattage, when compared to 30" radiant electric ranges.</small>	With Samsung's 3600 W Express Boil™ – no element is more powerful.* Rapidly go from high heat for boiling water and searing meat or turn down to a true simmer – ideal for melting chocolate or making sauces. <small>*Based upon wattage, when compared to 30" radiant electric ranges.</small>
	7	Flexible Cooktop	Flexible in Every Way	The 5-element cooktop includes dual and triple ring elements, so you can cook with multiple sized pots and pans.	The 5-element cooktop includes dual and triple ring elements, so you can cook with multiple sized pots and pans.
	8	Large Oven Capacity	Cook Enough for the Whole Crew	This large 6.3 cu. ft. oven fits multiple meals at one time.	This large 6.3 cu. ft. oven fits multiple meals at one time, or it can easily accommodate big casserole dishes or roasting pans.
	9	Wi-Fi Connectivity	Cook Smart, Save Time	Preheat, monitor, and adjust cook time and temperature on your oven and monitor your cooktop, right from your smartphone through the SmartThings™ App.* <small>*Available on Android and iOS devices. A Wi-Fi connection and a Samsung account are required.</small>	Preheat, monitor, and adjust cook time and temperature on your oven and monitor your cooktop, right from your smartphone through the SmartThings™ App.* <small>*Available on Android and iOS devices. A Wi-Fi connection and a Samsung account are required.</small>
	10	Voice-Enabled	"Preheat the Oven to 350° Please"	Control your oven by voice by using your favorite voice assistant, whether it's Bixby, Alexa or Google.* <small>*A Wi-Fi connection and a Samsung account are required. Bixby is Samsung's brand of artificial intelligence (AI) / Internet of Things (IoT) voice assistant. Voice commands are available on Android and iOS devices.</small>	Control your oven by voice when you're busy doing other things by using your favorite virtual assistant, whether it's Bixby, Alexa or Google.* <small>*A Wi-Fi connection and a Samsung account are required. Bixby is Samsung's brand of artificial intelligence (AI) / Internet of Things (IoT) voice assistant. Voice commands are available on Android and iOS devices.</small>

Core Messaging (continued)

Priority	Feature	Feature Headline	Short Copy	Long Copy
Secondary Features cont.	11	Self & Steam Clean	Does The Hard Work For You	Get help from your oven with Self & Steam Clean. The self cleaning system deep cleans by heating to a high temperature to burn off grease and food residue. Steam clean in 20 minutes for easier cleaning jobs.
	12	Ready2Fit™ Guarantee	—	—
	13	Built-in Temperature Probe	Know When the Roast Is Ready	Check the internal temperature of meats on your oven or smartphone.* *Available on Android and iOS devices. A Wi-Fi connection and a Samsung account are required.

Features and Benefits



Simply dial and select a mode to start cooking

Smart Dial

The new Smart Dial simplifies oven settings in a single dial and intuitively learns based on your cooking preferences.

Video and still asset available.



Cooking just got healthier* with new Air Fry mode

*As compared to deep frying

Air Fry

Cooking just got healthier* with new Air Fry mode. Using little to no oil, you can quickly prepare your favorite fried foods right in your oven. Air Fry tray included.

*As compared to deep frying.

Video and still asset available.



Convection

Powerful convection saves you time by cooking food fast and more evenly. Perfect for baking and roasting.

Easy Ads links

Fingerprint Resistant Stainless Steel: <http://www.samsungeasyads.com/mm/nicePath/easyads?nav=pr658603960>

Features and Benefits (continued)



Illuminated Knobs

Blue illuminated knobs let you know when your cooktop is on or off.



Fingerprint Resistant Finish

Fingerprint resistant, for an everyday beautiful finish.

Ensure asset used is accurate to the correct model finish color.



Flexible Cooktop

The 5-element cooktop includes dual and triple ring elements, so you can cook with multiple sized pots and pans.

Easy Ads links

Fingerprint Resistant Stainless Steel: <http://www.samsungeasyads.com/mm/nicePath/easyads?nav=pr658603960>

Features and Benefits (continued)



Express Boil™

With Samsung's 3600 W Express Boil™ – no element is more powerful.* Rapidly go from high heat for boiling water and searing meat or turn down to a true simmer – ideal for melting chocolate or making sauces.

*Based upon wattage, when compared to 30" radiant electric ranges.



Large Oven Capacity

This large 6.3 cu. ft. oven fits multiple meals at one time, or it can easily accommodate big casserole dishes or roasting pans.



Wi-Fi Connectivity

Preheat, monitor and adjust cook time and temperature of your oven, right from your smartphone through the SmartThings™ App.*

*Available on Android and iOS devices. A Wi-Fi connection and a Samsung account are required.

Easy Ads links

Fingerprint Resistant Stainless Steel: <http://www.samsungeasyads.com/mm/nicePath/easyads?nav=pr658603960>

Features and Benefits (continued)



Voice-Enabled

Control your oven by voice when you're busy doing other things by using your favorite virtual assistant, whether it's Bixby, Alexa or Google.*

*A Wi-Fi connection and a Samsung account are required. Bixby is Samsung's brand of artificial intelligence (AI) / Internet of Things (IoT) voice assistant. Voice commands are available on Android and iOS devices.



Self & Steam Clean

Get help from your oven with Self & Steam Clean. The self cleaning system deep cleans by heating to a high temperature to burn off grease and food residue. Steam clean in 20 minutes for easier cleaning jobs.

Video and still asset available.



Ready2Fit™ Guarantee

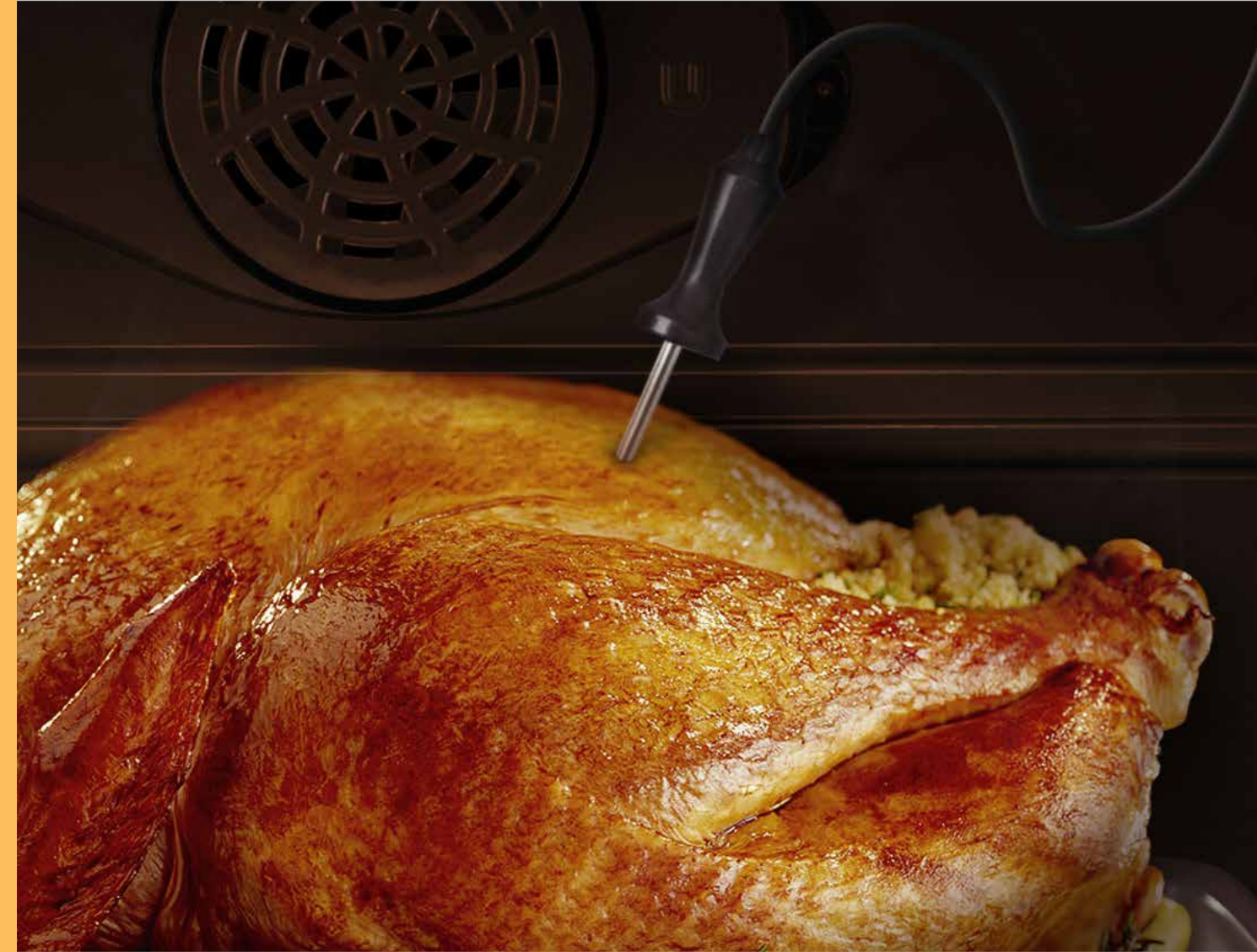
If your Samsung Front Control Slide-In Range doesn't fit your 30" Freestanding Range cutout, enjoy \$100* on us to cover any countertop modification costs.

*Visit samsungpromotions.com/SlideInReady2Fit for details.

Easy Ads links

Fingerprint Resistant Stainless Steel: <http://www.samsungeasyads.com/mm/nicePath/easyads?nav=pr658603960>

Features and Benefits (continued)



Built-In Temperature Probe

Know the internal temperature of meats with a built-in temperature probe you can check on your oven or with your smartphone.*

*Available on Android and iOS devices. A Wi-Fi connection and a Samsung account are required.

Easy Ads links

Fingerprint Resistant Stainless Steel: <http://www.samsungeasyads.com/mm/nicePath/easyads?nav=pr658603960>

Product Specs

**NE63T8711SS – 6.3 cu. ft. Front Control Slide-in Electric Range
with Smart Dial & Air Fry**

Related Products

SKU	Type	Color(s)
NE63T8711SS/AA	Range Hood	NK30K7000WS/A2
	Over-The-Range Microwave	ME21M706BAS/AA
	Dishwasher	DW80R9950US/AA
	Refrigerator	RF22R7551SR/AA
NE63T8711SG/AA	Range Hood	NK30K7000WG/A2
	Over-The-Range Microwave	ME21M706BAG/AA
	Dishwasher	DW80R9950UG/AA
	Refrigerator	RF22R7551SG/AA
NE63T8711ST/AA	Over-The-Range Microwave	ME21M706BAT/AA
	Over-The-Range Microwave	ME21R7041FT/AA
	Dishwasher	DW80R9950UT/AA
	Refrigerator	RF22R7551DT/AA

Accessories

SKU	Description	Color(s)
NX-AB5900RS/AA	9" backguard for 30" slide-in range	Stainless Steel
NX-AB5400RS/AA	4" backguard for 30" slide-in range	
NX-AF5000RS/AA	Trim kit for 30" slide-in range, 5 piece	
NX-AB5900RB/AA	9" backguard for 30" slide-in range	Black (pairs with Tuscan and Black Stainless Steel)
NX-AB5400RB/AA	4" backguard for 30" slide-in range	
NX-AF5000RM/AA	Trim kit for 30" slide-in range, 5 piece	Black Stainless Steel (pairs with Tuscan and Black Stainless Steel)

Spec Sheet


Easy Ads link

<http://www.samsungeasyads.com/mm/nicePath/easyads?nav=pr658587832>

NE63T8711SS

Samsung Front Control Slide-in Electric Range with Smart Dial & Air Fry

6.3 cu. ft. Capacity



Signature Features

Smart Dial

- The new Smart Dial simplifies oven settings in a single dial and intuitively learns based on your cooking preferences.

Air Fry

- Cooking just got healthier with new Air Fry mode* Using little to no oil, you can quickly prepare your favorite fried foods right in your oven. Air Fry tray included.
- *As compared to deep frying.

Convection

- Powerful convection saves you time by cooking food fast and more evenly. Perfect for baking and roasting.

SAMSUNG

Available Colors

- Fingerprint Resistant Stainless Steel (shown)
- Fingerprint Resistant Black Stainless Steel
- Fingerprint Resistant Tuscan Stainless Steel



Smart Dial





Air Fry


Features

- Smart Dial
- Air Fry, Tray Included
- Convection
- Illuminated Knobs
- Fingerprint Resistant Finish
- 3600 W Express Boil™
- Large Oven Capacity – 6.3 cu. ft.
- Ready2Fit™ Guarantee
- Temperature Probe
- Storage Drawer

Convenience

- Wi-Fi Connectivity
- Voice-Enabled
- Convection Auto Conversion
- Self & Steam Clean
- Hidden Bake Element
- Child Safety Lock
- Delay Start
- Auto Oven Light
- Kitchen Timer
- Sabbath Mode

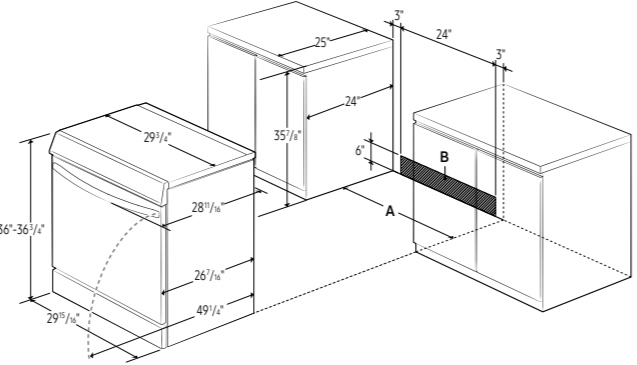




NE63T8711SS

Samsung Front Control Slide-in Electric Range with Smart Dial & Air Fry

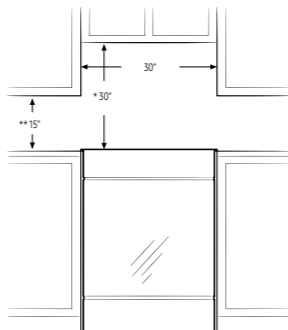
6.3 cu. ft. Capacity

Installation Specifications



A: Cabinet opening min 30"
B: Acceptable electrical outlet area

IMPORTANT: If your cabinets are over 36 1/2" high, you must install this range on a hard, heat-resistant support that raises the surface of the range so that it is about even with the countertop.



* 30" minimum clearance between the top of the cooking surface and the bottom of an unprotected wood or metal cabinet, or 24" minimum when the bottom of the wood or metal cabinet is protected by not less than 1/2" of flame retardant millboard covered with not less than no.28 MSG sheet steel, 0.015" stainless steel, 0.024" aluminum, or 0.020" copper.

**15" minimum between the countertop and the adjacent cabinet bottom.

IMPORTANT: Consult with Installation Manual for detailed instructions before installing. All ranges must be installed with the Anti-Tip device that is included.

SAMSUNG

Power Source
240V/208V/60 Hz/40A

Electric Ceramic Cooktop

- Right Front: 6 7/9" Triple Element, 3000 W
- Left Front: 6 7/9" Dual Element, 3600 W
- Right Rear: 6", 1200 W
- Left Rear: 6", 1200 W
- Center: 7" Warming Center

Oven



- Capacity: 6.3 cu. ft.
- Convection Element/Heater
- Convection Bake
- Convection Roast
- Bake
- Variable Broil: Low/High
- Air Fry
- Bread Proof
- Dehydrate

Warranty
One (1) Year Parts and Labor

Product Dimensions & Weight (WxHxD)
Oven Interior Dimensions:
24 13/16" x 22 7/16" x 19 1/4"
Outside Net Dimensions:
29 3/16" x 36-36 1/4" (Adjustable) x 28 11/16"
Weight: 175 lbs

Shipping Dimensions & Weight (WxHxD)
Dimensions:
33 7/16" x 41 1/4" x 30 7/16"
Weight: 201 lbs

Color	Model #	UPC Code
Fingerprint Resistant Stainless Steel	NE63T8711SS	887276409085
Fingerprint Resistant Black Stainless Steel	NE63T8711SG	887276409078
Fingerprint Resistant Tuscan Stainless Steel	NE63T8711ST	887276409092

Actual color may vary. Design, specifications, and color availability are subject to change without notice. Non-metric weights and measurements are approximate.
©2020 Samsung Electronics America, Inc. 85 Challenger Road, Ridgefield Park, NJ 07663. Tel: 800-SAMSUNG. samsung.com. Samsung is a registered trademark of Samsung Electronics Co. Ltd.

Spec Sheet - front

Spec Sheet - back

User Manual

Easy Ads link

<http://www.samsungeasyads.com/mm/nicePath/easyads?nav=pr658587832>

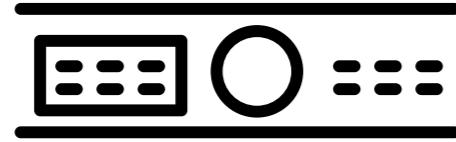


User Manual

Feature Icons

**NE63T871ISS – 6.3 cu. ft. Front Control Slide-in Electric Range
with Smart Dial & Air Fry**

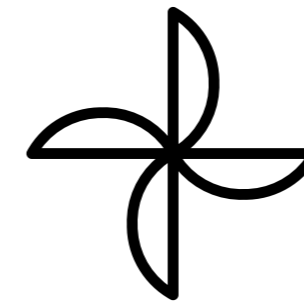
Feature Icons



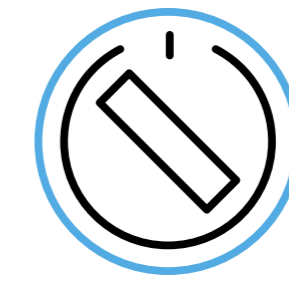
Smart Dial



Air Fry



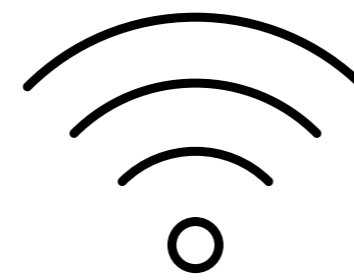
Convection



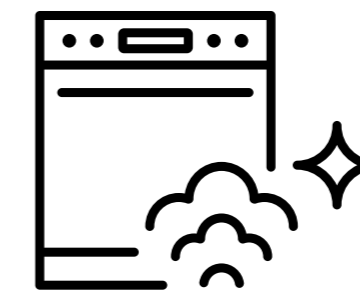
Illuminated Knobs



Fingerprint Resistant Finish



Wi-Fi Connectivity



Self + Steam Clean

SAMSUNG