

# DW50T6060

SAMSUNG

## Samsung 18" Dishwasher



### Signature Features

#### Whisper Quiet Cleaning (46 dBA)

- Less noise & less disturbance\* with a virtually silent wash cycle.

\*As compared to Samsung model DW80R2031.

#### AutoRelease™ Door Drying

- Save time drying dishes with a door that automatically opens after the wash cycle to circulate air and improve drying performance.

#### Fingerprint Resistant Finish

- Fingerprint resistant, for an everyday beautiful finish.

### Available Colors



Fingerprint Resistant  
Stainless Steel (shown)



Fingerprint Resistant  
Black Stainless Steel



Whisper Quiet Cleaning (46 dBA)



AutoRelease™ Door Drying

### Features

- Whisper Quiet Cleaning (46 dBA)
- AutoRelease™ Door
- Fingerprint Resistant Finish
- Express Cycle: 60 Minutes
- Hidden, Digital Touch Controls
- Full Stainless Steel Interior
- 5 Wash Cycles
- 4 Options
- 8 Place Settings
- 3 Spray Wash Arms (Upper, Middle, Lower)

### Convenience

- Control Lock
- Delay Start

### Rating

ENERGY STAR®-rated:  
259 kWh/yr



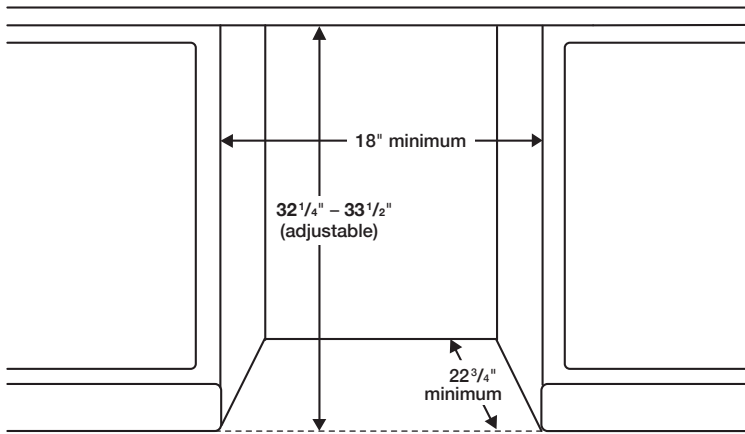
ADA Compliant

# DW50T6060

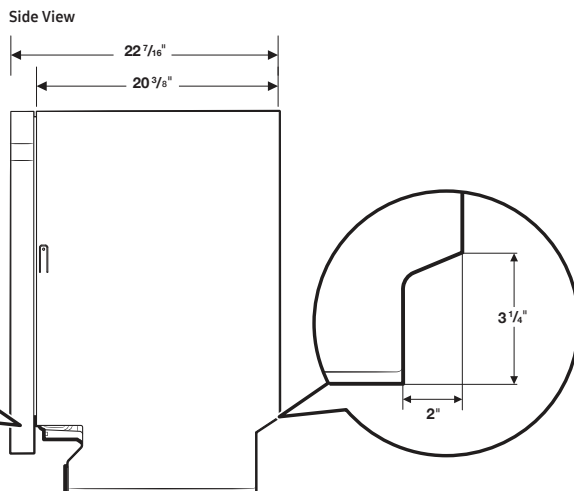
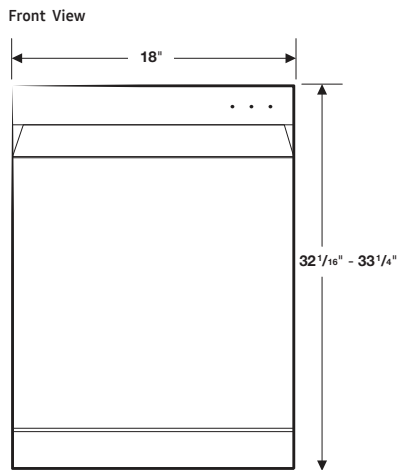
SAMSUNG

## Samsung 18" Dishwasher

### Installation Specifications



### Dimensions



### Features

- 5 Wash Cycles: Auto, Normal, Heavy, Delicate, Express 60
- 4 Options: High-Temp Wash, Sanitize, Delay Start, Control Lock
- AutoRelease™ Door
- Hidden Heating Element
- Stainless Steel Interior Tub

### Convenience

- Control Lock
- Digital Water Leakage Sensor
- One-Touch Adjustable Racking System
- Silverware Basket
- Upper Rack: Foldable Cup Shelves
- Lower Rack: Fold-Down Tine

### Warranty

One (1) Year All Parts and Labor

Five (5) Year Limited on Printed Circuit Board and Interior Nylon Racks

### Product Dimensions & Weight (WxHxD)

Dimensions (height is adjustable):

18" x 32<sup>1</sup>/<sub>16</sub>" – 33<sup>1</sup>/<sub>4</sub>" x 22<sup>7</sup>/<sub>16</sub>"

Weight: 73 lbs

### Shipping Dimensions & Weight (WxHxD)

Dimensions:

22<sup>1</sup>/<sub>16</sub>" x 34<sup>7</sup>/<sub>8</sub>" x 25<sup>5</sup>/<sub>8</sub>"

Weight: 86 lbs

### Color

Fingerprint Resistant  
Stainless Steel

### Model #

DW50T6060US

### UPC Code

887276412665

Fingerprint Resistant  
Black Stainless Steel

DW50T6060UG

887276412658