

# Dishwasher

---

## Installation manual

DW50T6060\*\*

---



**SAMSUNG**

# Contents

---

|                                   |          |
|-----------------------------------|----------|
| <b>Installation</b>               | <b>3</b> |
| What's included                   | 3        |
| Installation requirements         | 6        |
| Power supply                      | 6        |
| Grounding                         | 6        |
| Water supply                      | 7        |
| To reduce a risk of leaks:        | 7        |
| Flooring                          | 7        |
| Dimensions and specifications     | 8        |
| Step-by-step installation         | 10       |
| STEP 1 Select a location          | 10       |
| STEP 2 Connect the hot water line | 11       |
| STEP 3 Arrange the hoses          | 12       |
| STEP 4 To insert the sub foot     | 13       |
| STEP 5 Level the dishwasher       | 14       |
| STEP 6 Secure the dishwasher      | 15       |

# Installation

Follow these instructions carefully to ensure proper installation of the dishwasher and to prevent accidents when washing dishes.

## What's included

Make sure all the parts are included in the product package. If you have a question about the dishwasher or the parts, contact a local Samsung customer center or your retailer. The actual appearance of the dishwasher may differ, depending on your model and country.

### ⚠ CAUTION

After unpacking the dishwasher, keep the packaging materials out of children's reach to ensure their safety.

### DW50T6060U\*



Top brackets (2 ea)



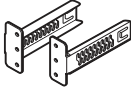
Ø4 X 14 screws  
(2 ea)



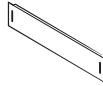
Sub foot (3 ea)



Ø3.5 X 16 screws  
(2 ea)



Kick plate brackets  
(2 ea)



Kick plate



Nut connector &  
seal (for 90° fitting)



Plastic caps (2 ea)



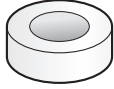
Kick plate bolt  
(4 ea)



Kick plate nut  
(4 ea)

# Installation

## Installation kit (not provided)



Electrical tape & Standard duct tape



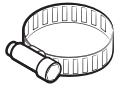
Hot water line



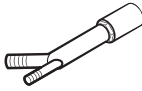
90° Fitting (3/4")



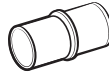
Tube fittings



Hose clamp



Air gap



Rubber connector



Teflon tape or sealing compound

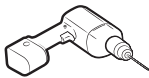


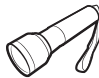









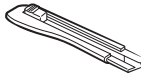



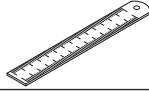
### **WARNING**

Do not use plastic tubing. Plastic tubing can deteriorate over time and cause a leak inside the tube fitting.

**NOTE**

- For the hot water line, we strongly recommend using 3/8" minimum O.D. copper tubing with a compression fitting or a flexible stainless steel braided hot water supply line.
- You also need a 90° Fitting with 3/4" N.P.T. external pipe threads on one end and a fitting sized to fit your hot water line (copper tubing/compression fitting or braided hose) on the other.
- For the power cable, we recommend a jacketed grounded 12-2 cable. Note that some local codes may require the cable to have a BX style metal jacket.

**Tools required (not provided)**

|   |   |   |  |
|---|---|---|--|
|    |    |    |    |
| Electric drill  | Safety glasses  | Gloves  | Flashlight   |
|    |    |    |    |
| Adjustable wrench   | Torx T15  | Pliers  | Nipper   |
|   |  |   |  |
| Tape measure  | Pencil  | Phillips screwdriver  | Flat head screwdriver  |
|  |  |  |  |
| Tubing cutter   | Cutting knife   | Level   | Hole saw   |
|  |  |   |  |
| Hex L-wrench  | Steel ruler   |   |  |

# Installation

## Installation requirements

To prevent a risk of fire, electric shock, or personal injury, all wiring and grounding must be done by a qualified technician.

### Power supply

- To prevent the risk of fire, electric shock, or personal injury, all wiring and grounding must be performed in accordance with the National Electrical Code ANSI/FNPA, No. 70 Latest Revision and local codes and ordinances. It is the personal responsibility of the appliance owner to provide adequate electrical service for this appliance.
- When preparing for installation, make sure that your power supply provides an individual 120 Volt, 60 Hz branch circuit serving only your dishwasher with a 15 AMP fuse or circuit breaker.
- Your dishwasher must be grounded. If your dishwasher malfunctions or breaks down, grounding will reduce the risk of electric shock by providing a path of least resistance for the electric current.

### WARNING

- Do not use an extension cord.
- Use only the power plug that comes with the dishwasher.

### Grounding

For permanent grounding, the dishwasher must be properly grounded to a grounded metal or permanent wiring system. The grounding conductor must be run with the circuit conductors and then connected to the grounding terminal or lead on the dishwasher.

### WARNING

- Do not connect the ground wire to plastic plumbing, gas lines, or hot water pipes. Improperly connected grounding conductors may cause electric shock.
- Do not modify the power plug of the dishwasher. If the power plug does not fit the outlet, have a proper outlet installed by a qualified electrician.

---

### Water supply

- The hot water supply line must support water pressures between 20 psi and 120 psi (140-830 kPa).
- Water temperatures must be between 120 °F (49 °C) and 149 °F (65 °C).

### To reduce a risk of leaks:

- Make sure water taps are easily accessible.
- Turn the water tap off when the dishwasher is not in use.
- Check for any leaks at the water hose fittings on a regular basis.

### Flooring

For safety, the dishwasher must be installed on a solidly constructed floor. Wooden floors may need to be reinforced to minimize vibrations. Avoid installing on carpet or soft tile. Carpeting and soft tile may cause vibrations and may cause your dishwasher to move slightly while operating.

#### **WARNING**

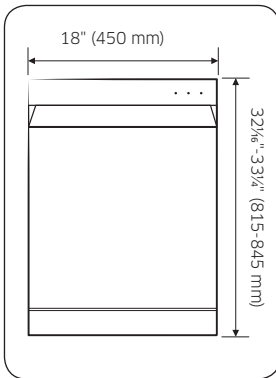
Do not install the dishwasher on a poorly supported structure.

# Installation

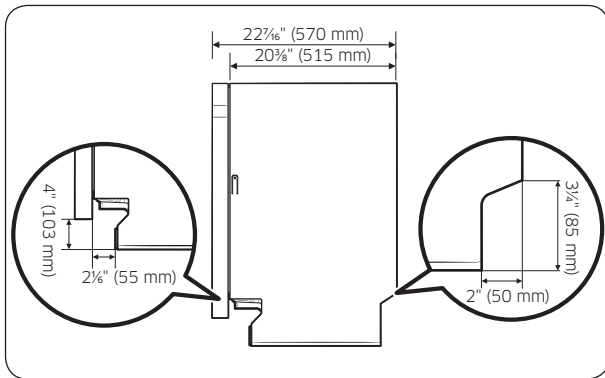
## Dimensions and specifications

### Dishwasher

DW50T6060U\* Series (Built Under model)

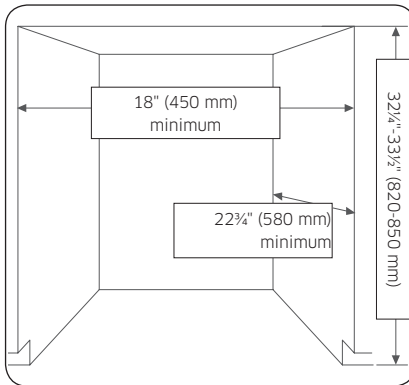


Front view



Side view

### Cabinet



- This dishwasher is designed to be enclosed on the top and on both sides by a standard, residential kitchen cabinet.
- The installation enclosure must be clean and free of any obstructions.
- The enclosure must be at least 23<sup>3</sup>/<sub>4</sub>" wide, 22<sup>3</sup>/<sub>4</sub>" deep, and 32<sup>1</sup>/<sub>4</sub>" high.
- For the front door of the dishwasher to be flush with the leading edge of the countertop, the countertop must be at least 23" deep.



## Specifications

Specifications are subject to change without notice for improved quality. The actual appearance of the dishwasher may differ from the illustrations in this manual.

|  |   |
|--|---|
| Power supply                           | 120 V, 15 A, 60 Hz AC   |
| Water pressure                         | 20-120 psi (140-830 kPa)  |
| Dimensions<br>(Width x Depth x Height) | DW50T6060U* : 18 x 22 $\frac{7}{16}$ x 32 $\frac{1}{16}$ in. (450 x 570 x 815 mm) |
| Minimum inlet water temperature        | 120 °F (49 °C)  |

# Installation

## Step-by-step installation

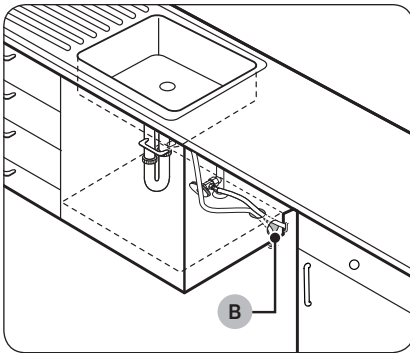
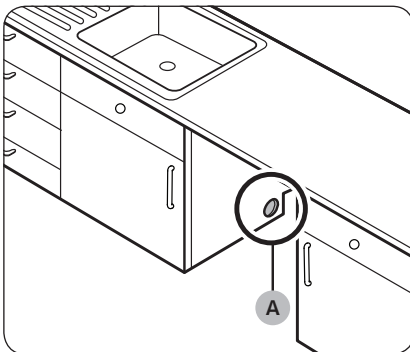
The installation procedure may differ depending on the model.

### STEP 1 Select a location

Select a location that meets the following conditions.

- The location must have a solid floor that can support the weight of the dishwasher.
- The location must be near a sink (9.8 ft/3 m) with easy access to the water supply, drain system, and electrical outlet.
- The location must let you load dishes into the dishwasher easily.
- The location must have sufficient space for the dishwasher door to open easily and provide enough space between the dishwasher and the cabinet sides (at least 0.1 inch/2 mm).
- The rear wall must be free of obstructions.

#### Installation in a new location



If you install the dishwasher in a new location, follow these instructions before installing the dishwasher.

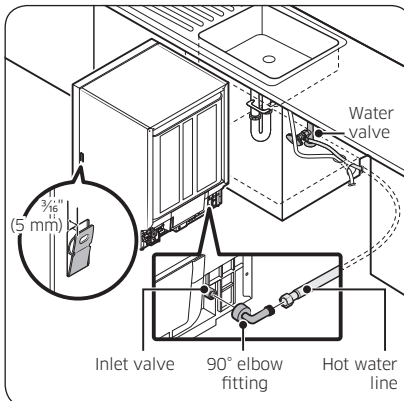
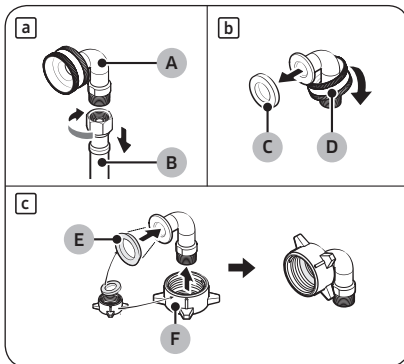
1. Using a hole saw, cut a hole into the side of the cabinet that holds the sink (A).
2. If the base inside the sink cabinet is raised above the kitchen floor and is higher than the connections on the dishwasher, make a hole in the base inside the cabinet and in the cabinet side (B).

#### NOTE

- If you are replacing an old dishwasher, check the existing connections for compatibility with the new dishwasher and replace the connections as needed.
- You may need to cut a hole in the opposite side of the cabinet according to the location of the electrical outlet.

## STEP 2 Connect the hot water line

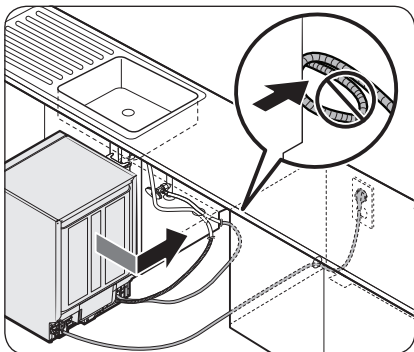
- The water line pressure must be between 20 psi and 120 psi (140-830 kPa).
- Make sure that the water temperature is delivered between 120 °F and 149 °F (49-60 °C). Exceeding this limit may cause the dishwasher to malfunction.
- Make sure that the circuit breaker and water valve is turned off before connecting the water supply line to the dishwasher.
- Make sure the water line is properly connected. Wrap Teflon tape around every metal connection and joint to prevent water leaks.



1. Use the provided nut connector to connect the water hose to the dishwasher.  
Follow these steps:
  - a. Disconnect the 90° fitting (A) from the hose (B).
  - b. Remove the rubber washer (C) and the brass nut (D) from the 90° fitting.
  - c. From the provided nut connector, separate the seal (E) and the nylon (F), and then assemble them to the 90° fitting as shown in the figure. You must insert the smaller side of the seal.
2. Insert the 3/4" 90-degree fitting into the inlet valve. Tighten the fitting until it points towards the water-hose channel in the base of the dishwasher. Do not overtighten.
3. Connect the hot water line to the fitting.
4. If you want to secure the dishwasher to the side wall for extra stability, bend the brackets of the left and right housings by referring to the figure.

# Installation

## STEP 3 Arrange the hoses



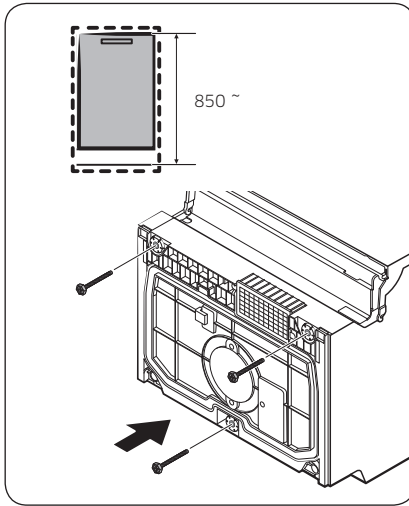
1. Arrange the power cable and the drain hose so that they move together.
2. Gently move the dishwasher to the installation space under the sink. While moving the dishwasher, pull any excess portions of the water line, drain hose, and power cable into the space.

### **⚠ CAUTION**

- Use caution not to kink or step on the power plug or the hoses.
- Location of the outlet can not be placed behind the dishwasher.

#### STEP 4 To insert the sub foot

If the distance between the floor and the bottom of the worktop is more than 850 mm, insert the sub foot into the hole on the bottom of the dishwasher before you start the installation.



1. Lay the dishwasher on its back.

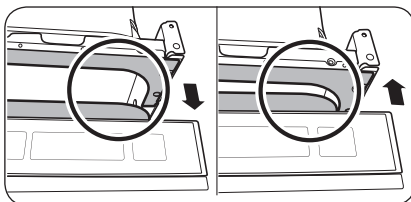
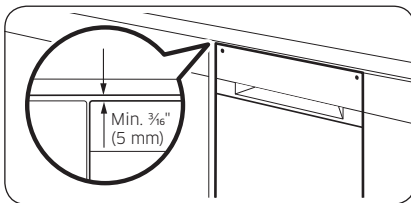
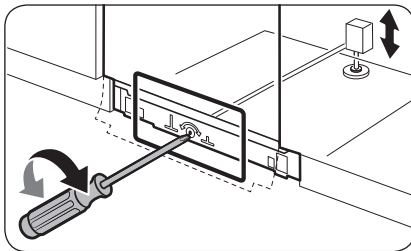
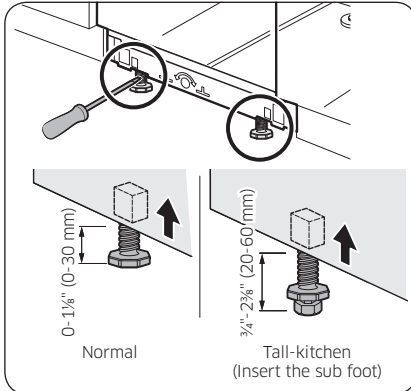
**⚠ CAUTION**

Do not lay down the dishwasher on its side. Water may leak.

2. Find the sub foot in the installation kit, and then insert the sub foot into the hole on the bottom of the dishwasher as shown in the figure.

# Installation

## STEP 5 Level the dishwasher



You can adjust the height of the dishwasher to level it. Note that in these steps, the dishwasher is currently inserted halfway.

1. Use the level to check if the dishwasher is level.
2. When adjusting the front height, use the regular foot for heights lower than 1½".
  - To lower the height, turn the foot clockwise.
  - To raise the height, turn the foot counter clockwise.
3. To adjust the rear height, insert the screwdriver in the bottom center of the dishwasher.
  - To lower the height, turn the screwdriver clockwise.
  - To raise the height, turn the screwdriver counter clockwise.

### ⚠ CAUTION

Do not use a hammer drill to adjust the rear leg.

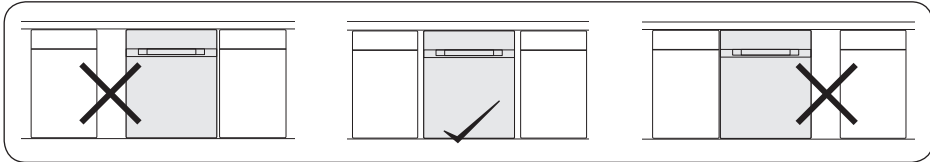
4. Leave at least a 3/16" (5 mm) space between the top of the dishwasher and the bottom of the countertop.

5. When levelling is complete, check that the door opens and closes properly.

## STEP 6 Secure the dishwasher

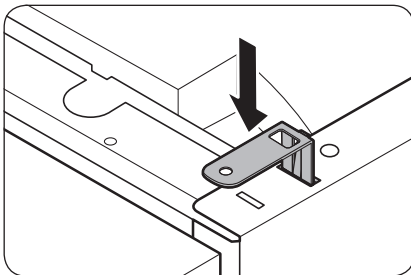
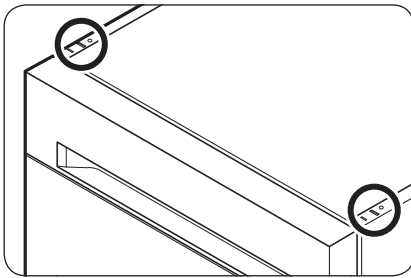
### Correct positioning

Before securing the dishwasher, center it in the opening.



### Securing to the countertop

You can use the brackets to secure the dishwasher to the countertop. Alternatively, you can drill the side holes to secure the dishwasher to the cabinet sides.



1. Put a large towel on the bottom of the dishwasher (covering the sump) to prevent wood shavings or screws from falling into the dishwasher sump.
2. Insert the provided brackets into the top front holes of the dishwasher as shown.
3. Insert the dishwasher fully into place under the countertop.
4. Carefully drill 2 screw holes into the bottom of the countertop from beneath, one for each countertop bracket.
  - Make sure the hole you drill is smaller than the diameter of the screw.

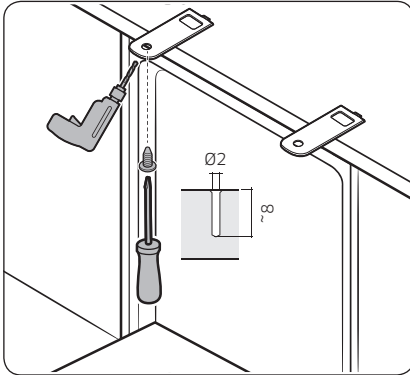
#### NOTE

Use a magnetic screwdriver to help prevent screws from falling into the dishwasher.

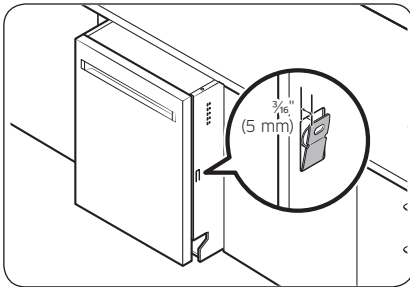
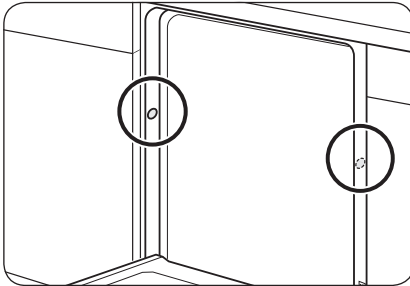
#### WARNING

Not to attempt screwing into a stone countertop.

# Installation



Securing to the side walls

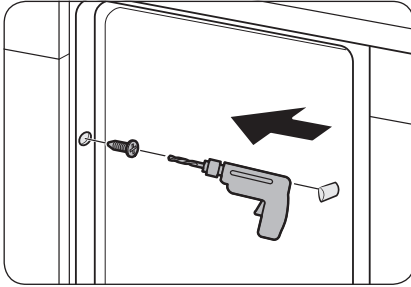


5. Insert the provided screws into the brackets, and then tighten to secure the dishwasher to the countertop.

1. Put a large towel on the bottom of the dishwasher (covering the sump) to prevent wood shavings or screws from falling into the dishwasher sump.

2. To prevent damage to the drain hose through the water supply line, slightly pull out the dishwasher and bend the built-in ear brackets of the left and right housings by  $\frac{3}{16}$ " (5 mm). When done, reinsert the dishwasher with its center aligned.



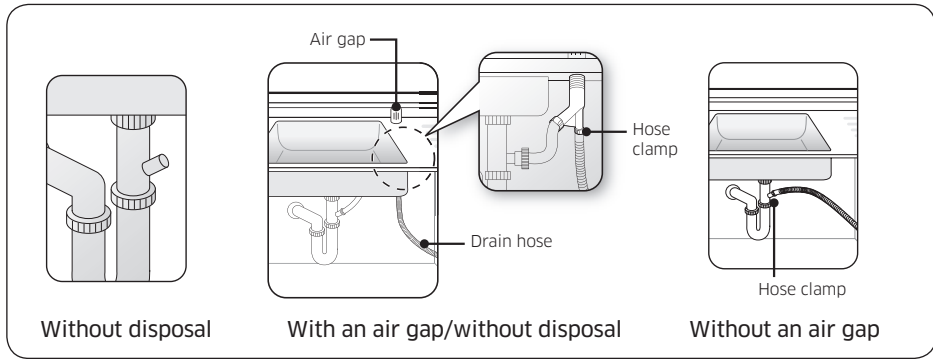


3. Drill one hole into both sides of the kitchen cabinet, totaling 4 screw holes.
  - Make sure the hole you drill is smaller than the diameter of the screw.
  - Make sure the drill bit does not strike the sides of the spacer cap holes.
4. Tighten the provided screws into the holes to secure the dishwasher to the cabinet.
5. Insert the provided plastic caps to the 4 places where screws are fastened.

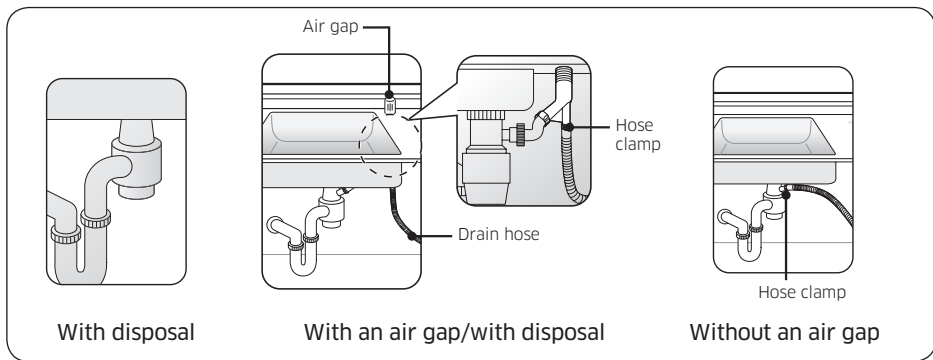
# Installation

## STEP 7 Connect the drain hose

There are several ways to insert the drain hose into the drain hose connector of the sink. You must connect the drain hose in accordance with the water pipe installation regulations in your region.



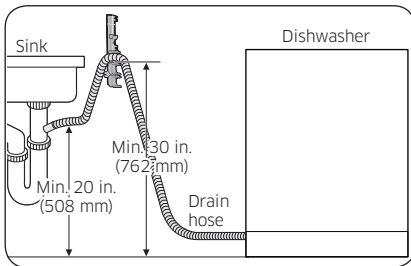
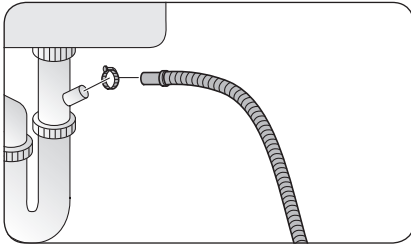
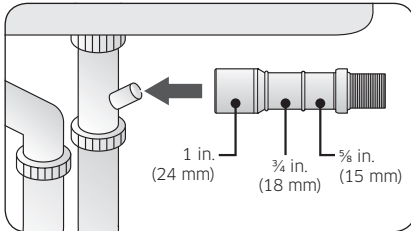
Drain system with no waste-disposal



Drain system with a waste-disposal

**NOTE**

When a disposal is first connected to a Dishwasher, the plug inside the disposal connector must be removed.



1. Check the size of the sink's drain hose connector. If needed, cut the drain hose so its end fits into the sink connector.

**NOTE**

If the drain hose does not fit into the sink connector, you can purchase an adaptor at a plumbing/hardware store.

2. Slide the hose clamp to the end of the hose, insert the drain hose into the sink connector, and then tighten the hose clamp.

**NOTE**

Drain Hose requires a high loop if there is no air gap, make sure to hang the middle of the drain hose well above the sink cabinet base to prevent back-flow (See the image on the left side).

3. When drilling a hole for the drain hose on the cabinet wall, use caution not to damage the drain hose on the sharp edges of the hole.
  - On wooden walls, use sand paper to soften the edges.
  - On metal walls, use insulation tape or duct tape to cover the sharp edges around the hole.
4. Secure the drain hose to the sink wall using cable ties or other fastening materials.

**CAUTION**

- Use caution not to damage the drain hose when installing the dishwasher.
- Install the drain system properly so that the drain hose does not disconnect from the drain outlet in the draining process.
- Make sure that the drain hose, supply hose, or power cord is not kinked or folded.

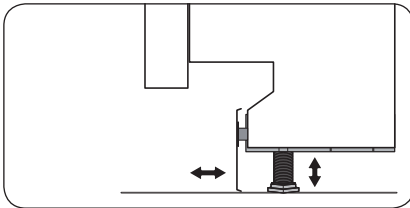
# Installation

## STEP 8 Final check

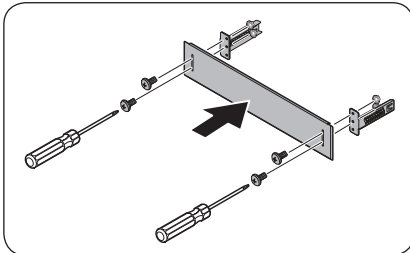
1. Remove all foam, paper packaging, and unnecessary parts from inside the dishwasher.
2. Turn the circuit breaker on.
3. Open the water valve to supply water to the dishwasher.
4. Plug in the dishwasher.
5. Turn the dishwasher on, and then select and run a cycle.
6. Check if the dishwasher turns on normally and if there are any water leaks while the dishwasher is operating. Make sure to check for water leaks on both ends of the water line and the drain hose connector.
7. Check if the kick plate gasket is attached to the bottom of the kick plate. To install the kick plate, see the **Kick plate** section below.

### Kick plate

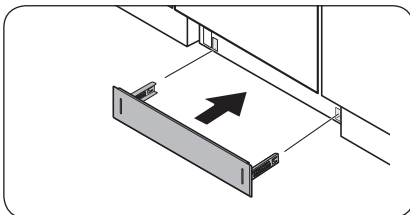
If you want to install the kickplate, follow these instructions.

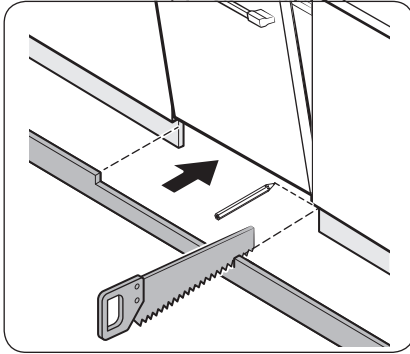


1. Adjusting the front legs will un-level the unit, and cause interference with the counter.



2. Attach the kickplate to the dishwasher using the kickplate brackets. Make sure the kickplate brackets are in the correct direction. See the figure for details.





3. If you use the cabinet floor molding instead of the kickplate, cut out the portion of the cabinet floor molding that interrupts with the door before attaching the cabinet floor molding to the dishwasher.

# Memo

---

# Memo

---

QUESTIONS OR COMMENTS?

| COUNTRY  | CALL  | OR VISIT US ONLINE AT   |
|--|---|---|
| U.S.A<br>- Consumer Electronics<br>- Mobile Phones | 1-800-SAMSUNG (726-7864)<br>1-844-SAM-PAYS (726-7297) | <a href="http://www.samsung.com/us/support">www.samsung.com/us/support</a>  |
| CANADA   | 1-800-SAMSUNG(726-7864)<br>1-844-SAM-PAYS (726-7297)  | <a href="http://www.samsung.com/ca/support">www.samsung.com/ca/support</a> (English)<br><a href="http://www.samsung.com/ca_fr/support">www.samsung.com/ca_fr/support</a> (French) |



DD81-03056A-00



# Lavavajillas

---

Manual de instalación

DW50T6060\*\*

---



**SAMSUNG**

# Contenidos

---

|  |          |
|--|----------|
| <b>Instalación</b>                           | <b>3</b> |
| Componentes                                  | 3        |
| Requisitos de instalación                    | 6        |
| Suministro eléctrico                         | 6        |
| Conexión a tierra                            | 6        |
| Suministro de agua                           | 7        |
| Para reducir el riesgo de derrames:          | 7        |
| Piso   | 7        |
| Dimensiones y especificaciones               | 8        |
| Instalación paso a paso                      | 10       |
| PASO 1 Seleccione una ubicación              | 10       |
| PASO 2 Conecte el conducto de agua caliente. | 11       |
| PASO 3 Acomode las mangueras                 | 12       |
| PASO 4 Para colocar el pie regulable         | 13       |
| PASO 5 Nivele la lavavajillas                | 14       |
| PASO 6 Asegure la lavavajillas               | 15       |

# Instalación

Siga estas instrucciones detalladamente para asegurar la correcta instalación de la lavavajillas y evitar accidentes durante el lavado.

## Componentes

Asegúrese de que todos los componentes estén incluidos en el paquete. Si tiene alguna pregunta acerca de la lavavajillas o las piezas, comuníquese con un centro de atención al cliente de Samsung o con el vendedor. El aspecto real de la lavavajillas puede diferir, dependiendo del modelo y del país.

### ⚠ PRECAUCIÓN

Después de desempacar la lavavajillas, mantenga los materiales de empaque fuera del alcance de los niños para garantizar su seguridad.

### DW50T6060U\*



Ménsulas superiores  
(2 uds.)



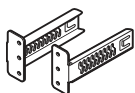
Ø4 x 14 tornillos  
(2 uds.)



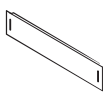
Pie regulables (3 uds.)



Ø3.5 x 16 tornillos  
(2 uds.)



Ménsulas de la placa  
de protección (2 uds.)



Placa de protección



Conector de tuerca y  
sello (para adaptador  
de 90°)



Tapas plásticas  
(2 uds.)



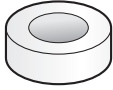
Perno de la placa de  
protección (4 uds.)



Tuerca de la placa de  
protección (4 uds.)

# Instalación

## Kit de instalación (no provisto)



Cinta aislante y cinta americana estándar



Conducto de agua caliente



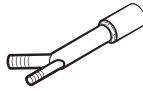
Adaptador de 90° (3/4")



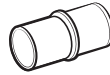
Adaptador del tubo



Abrazadera de manguera



Espacio de aire



Conector de goma



Cinta de teflón o pasta de sellado

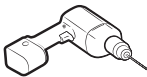



### **⚠ ADVERTENCIA**

No utilice tubos de plástico. Los tubos de plástico se pueden deteriorar con el tiempo y causar filtraciones en el adaptador del tubo.

**NOTA**

- Para el conducto de agua caliente, recomendamos especialmente usar un tubo de cobre de diámetro exterior de un mínimo de 3/8" con adaptador de compresión o un conector flexible de acero inoxidable para el suministro de agua caliente.
- Se necesitan roscas para el tubo externo con un adaptador de 90° para tubo cónico de 3/4" en un extremo, y en el otro, roscas que se adapten al conducto de agua caliente (tubo de cobre/adaptador de compresión, manguera trenzada).
- Para el cable de alimentación, recomendamos utilizar un cable recubierto de 12-2 con conexión a tierra. Tenga en cuenta que algunos códigos locales pueden requerir que el cable tenga un recubrimiento de metal del tipo BX.

**Herramientas requeridas (no provistas)**

|   |   |   |  |
|---|---|---|--|
|    |    |    |    |
| Taladro eléctrico   | Lentes de seguridad   | Guantes   | Linterna   |
|    |    |    |    |
| Llave ajustable   | Torx T15  | Pinza   | Alicate de corte   |
|   |  |  |  |
| Cinta métrica   | Lápiz   | Destornillador Phillips   | Destornillador de cabeza plana   |
|  |  |  |  |
| Cortatubos  | Cúter   | Nivel   | Fresa para escariar  |
|  |  |   |  |
| Llave en forma de L para cabezas hexagonales  | Regla de acero  |   |  |

# Instalación

## Requisitos de instalación

Para evitar el riesgo de incendio, descarga eléctrica o lesiones físicas, todo el cableado y la conexión a tierra debe ser realizado por un técnico calificado.

### Suministro eléctrico

- Para evitar el riesgo de incendio, descarga eléctrica o lesiones físicas, todo el cableado y la conexión a tierra deben realizarse de conformidad con la versión más reciente del Código Eléctrico Nacional, ANSI/FNPA, Nro. 70 y los códigos y ordenanzas locales. Es exclusiva responsabilidad del propietario del electrodoméstico proveer los servicios eléctricos adecuados para este electrodoméstico.
- Cuando prepare la instalación, asegúrese de que el suministro eléctrico ofrezca un circuito derivado individual de 120 voltios, 60 Hz destinado únicamente a la lavavajillas con un fusible o disyuntor de 15 amp.
- La lavavajillas debe estar conectada a tierra. En caso de que la lavavajillas funcione mal o se descomponga, la conexión a tierra reducirá el riesgo de descarga eléctrica al ofrecer una vía de menor resistencia para la corriente eléctrica.

### ⚠ ADVERTENCIA

- No utilice un cable prolongador.
- Use solamente el cable de alimentación que se provee con la lavavajillas.

### Conexión a tierra

Para una conexión a tierra permanente, la lavavajillas debe estar conectada correctamente a un metal con conexión a tierra o a un sistema de cableado permanente. El conductor con conexión a tierra se debe conectar a los conductores del circuito y luego a la terminal con conexión a tierra de la lavavajillas.

### ⚠ ADVERTENCIA

- No conecte un cable a tierra a las tuberías de plástico, las tuberías de gas o las cañerías de agua caliente. La conexión inadecuada del conductor de conexión a tierra puede causar una descarga eléctrica.
- No modifique el enchufe de la lavavajillas. Si el enchufe no entra en el tomacorriente, solicite a un electricista calificado que instale el tomacorriente adecuado.

### Suministro de agua

- El conducto de suministro de agua caliente debe admitir presiones de agua entre 20 y 120 psi (140 y 830 kPa).
- El agua debe estar a una temperatura entre 120 °F (49 °C) y 149 °F (65 °C).

### Para reducir el riesgo de derrames:

- Asegúrese de que las llaves de agua estén en un lugar de fácil acceso.
- Cierre la llave de agua cuando no use la lavavajillas.
- Verifique periódicamente que no haya pérdidas en la manguera de agua.

### Piso

Por razones de seguridad, la lavavajillas debe estar instalada sobre un piso de construcción sólida. Los pisos de madera pueden necesitar un refuerzo para reducir las vibraciones. Evite la instalación sobre piso alfombrado o con revestimiento sintético. Las alfombras y los revestimientos sintéticos pueden causar que la lavavajillas se desplace levemente cuando está en funcionamiento.

#### **ADVERTENCIA**

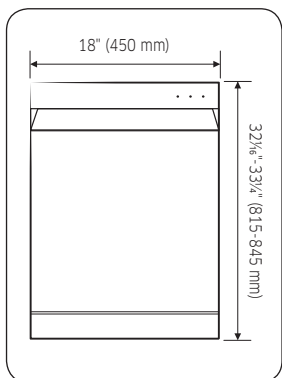
No instale la lavavajillas sobre una estructura con soportes poco resistentes.

# Instalación

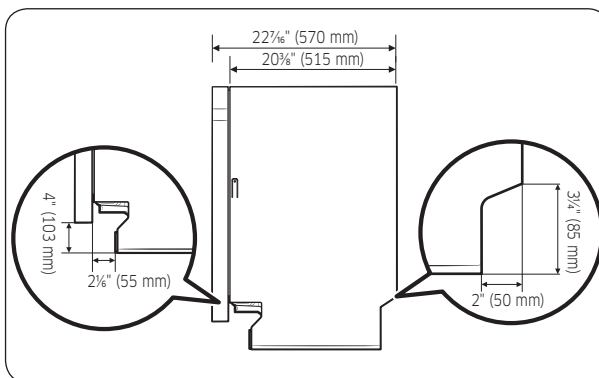
## Dimensiones y especificaciones

### Lavavajillas

Serie DW50T6060U\* (Modelo bajo encimera)

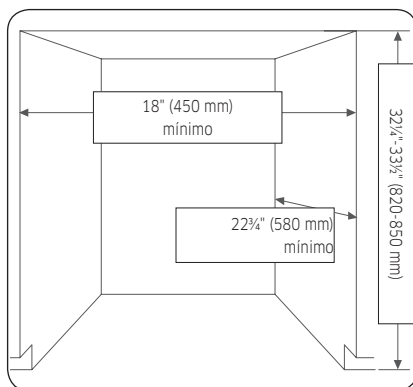


Vista frontal



Vista lateral

### Gabinete



- Esta lavavajillas está diseñada para colocarse entre los lados y encima de un gabinete en una cocina residencial estándar.
- El espacio para la instalación debe estar limpio y libre de obstrucciones.
- El espacio debe tener por lo menos 23 3/4" de ancho, 22 3/4" de profundidad y 32 1/4" de altura.
- Para que la puerta delantera de la lavavajillas esté nivelada con el borde delantero de la encimera, la encimera debe estar por lo menos a 23" de profundidad.





## Especificaciones

Las especificaciones están sujetas a cambios sin previo aviso a los efectos de las mejoras de calidad. La apariencia real de la lavavajillas puede diferir de las ilustraciones de este manual.

|   |  |
|---|--|
| Suministro eléctrico                          | 120 V, 15 A, 60 Hz CA  |
| Presión de agua                               | 20-120 psi (140-830 kPa)   |
| Dimensiones<br>(Ancho x Profundidad x Altura) | DW50T6060U* : 18 x 22 $\frac{7}{16}$ x 32 $\frac{1}{16}$ in (450 x 570 x 815 mm) |
| Temperatura mínima del agua<br>en la entrada  | 120 °F (49 °C)   |





# Instalación

## Instalación paso a paso

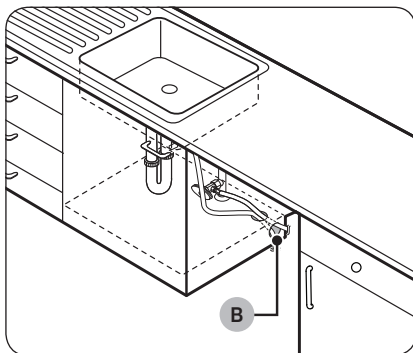
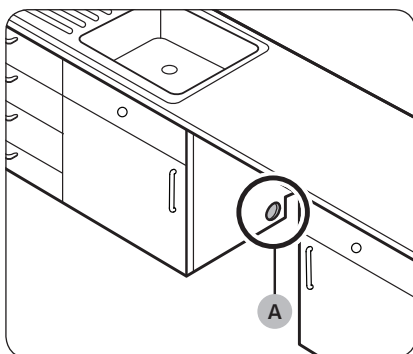
El procedimiento de instalación puede diferir dependiendo del modelo.

### PASO 1 Seleccione una ubicación

Seleccione una ubicación que reúna las siguientes condiciones.

- La ubicación debe tener un piso macizo que pueda soportar el peso de la lavavajillas.
- La ubicación deberá ser cercana a un fregadero (9.8 pies/3 m) con un acceso fácil al suministro de agua, sistema de drenaje y tomacorriente.
- La ubicación debe permitirle colocar con facilidad los trastes dentro de la lavavajillas.
- La ubicación debe contar con espacio suficiente para que la puerta de la lavavajillas pueda abrirse fácilmente y que quede espacio suficiente entre la lavavajillas y los laterales del gabinete (por lo menos 0.1 pulgadas/2 mm).
- La pared posterior no debe presentar obstrucciones

Instalación en una nueva ubicación



Antes de instalar la lavavajillas en una nueva ubicación, siga estas instrucciones.

1. Utilizando una fresa para escariar, realice una perforación en la pared del gabinete que soporta el fregadero (A).
2. Si la base dentro del gabinete del fregadero se eleva sobre el piso de la cocina y es más alta que las conexiones en la lavavajillas, debe hacerse un agujero en la base dentro del gabinete y en el lateral del gabinete (B).

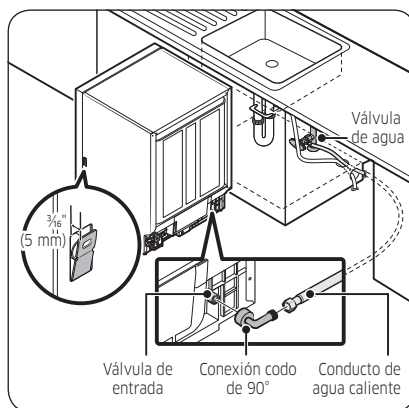
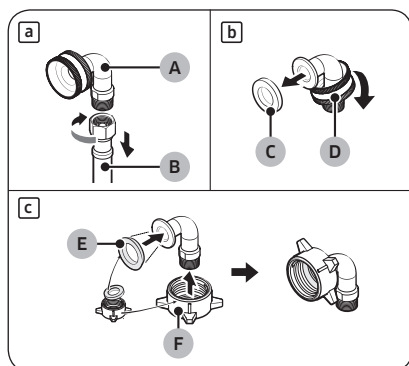
#### **NOTA**

- Si la lavavajillas reemplaza una anterior, verifique que las conexiones existentes sean compatibles con la nueva lavavajillas y reemplácelas si fuera necesario.
- Puede ser necesario realizar un agujero en el lado opuesto al gabinete dependiendo de la ubicación del tomacorriente.



## PASO 2 Conecte el conducto de agua caliente.

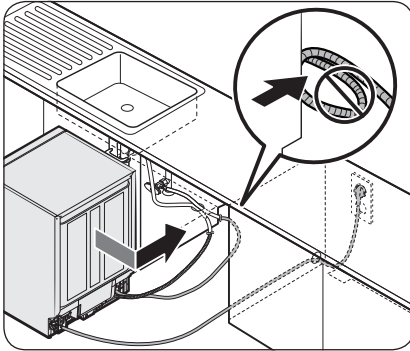
- La presión del conducto de agua debe estar entre 20 y 120 psi (140-830 kPa).
- Asegúrese de que el agua llegue a una temperatura entre 120 °F y 149 °F (49-60 °C). Sobrepasar este límite puede hacer que la lavavajillas no funcione correctamente.
- Asegúrese de que el disyuntor y la válvula del agua estén cerrados antes de conectar el conducto a la lavavajillas.
- Asegúrese de que el conducto de agua esté bien conectado. Envuelva con cinta de teflón todas las conexiones de metal y juntas para evitar pérdidas.



1. Use el conector de tuerca provisto para conectar la manguera de agua al lavavajillas. Siga estos pasos:
  - a. Desconecte el adaptador de 90° (A) de la manguera (B).
  - b. Retire la arandela de goma (C) y la tuerca de latón (D) del adaptador de 90°.
  - c. En el conector de tuerca provisto, separe el sello (E) y el nailon (F) y luego ensámblelos en el adaptador de 90° como se ilustra en la figura. Debe insertar el lado más pequeño del sello.
2. Inserte el adaptador de 3/4" 90 grados en la válvula de entrada. Ajuste el adaptador hasta que señale hacia el canal de la manguera de agua en la base de la lavavajillas. No lo ajuste demasiado.
3. Conecte el conducto de agua caliente al adaptador.
4. Si desea fijar la lavavajillas a la pared lateral para una mayor estabilidad, doble las ménsulas de los gabinetes izquierdo y derecho como se muestra en la figura.

# Instalación

## PASO 3 Acomode las mangueras



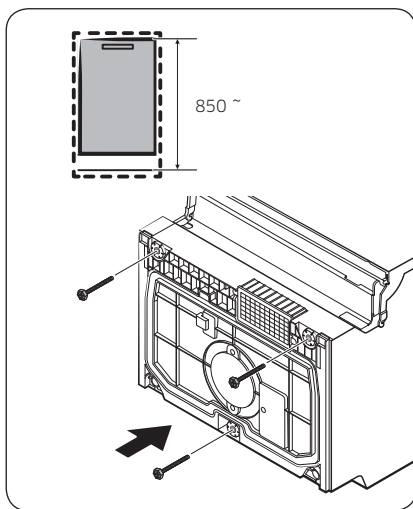
1. Acomode el cable de alimentación y la manguera de desagüe de modo que se muevan a la vez.
2. Desplace la lavavajillas con cuidado hasta el espacio de instalación bajo el fregadero. Cuando desplace la lavavajillas, arrastre todo tramo en exceso del conducto de agua, manguera de desagüe y cable de alimentación dentro del espacio de instalación.

### ⚠ PRECAUCIÓN

- Tenga cuidado de no doblar ni aplastar el cable de alimentación o las mangueras.
- El tomacorriente no puede estar ubicado detrás de la lavavajillas.

#### PASO 4 Para colocar el pie regulable

Si la distancia entre el piso y la parte inferior de la cubierta es superior a 850 mm, coloque el pie regulable en el orificio en la parte inferior de la lavavajillas antes de comenzar la instalación.



1. Coloque la lavavajillas en el piso sobre la parte posterior.

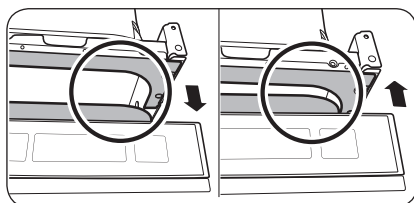
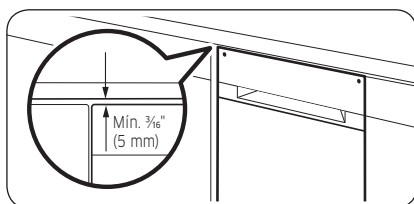
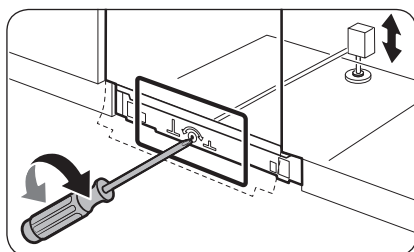
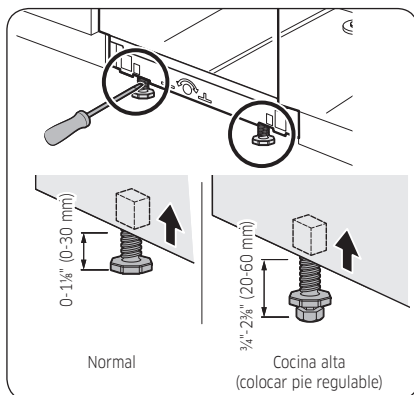
#### ⚠ PRECAUCIÓN

No coloque la lavavajillas en el piso sobre uno de sus lados. Puede haber pérdidas de agua.

2. Busque el pie regulable en el kit de instalación y, luego, colóquelo en el orificio en la parte inferior de la lavavajillas como se muestra en la figura.

# Instalación

## PASO 5 Nivela la lavavajillas



Puede ajustar la altura de la lavavajillas para nivelarla. Tenga en cuenta que en estos pasos la lavavajillas no está insertada completamente.

1. Use el nivel para verificar la horizontalidad de la lavavajillas.
2. Al ajustar la altura de la parte delantera, use el pie normal para alturas menores a 1 1/8".
  - Para disminuir la altura, gire el pie en el sentido de las agujas del reloj.
  - Para aumentar la altura, gire el pie en el sentido contrario a las agujas del reloj.
3. Para ajustar la altura de la parte trasera, inserte el destornillador en el centro de la parte inferior de la lavavajillas.
  - Para disminuir la altura, gire el destornillador en el sentido de las agujas del reloj.
  - Para aumentar la altura, gire el destornillador en el sentido contrario a las agujas del reloj.

### ⚠ PRECAUCIÓN

No ajuste la pata trasera con un taladro de percusión.

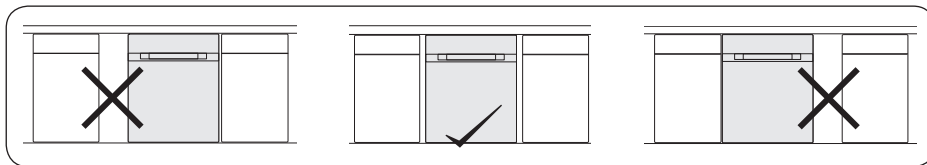
4. Deje un espacio mínimo de 3/16" (5 mm) entre la parte superior de la lavavajillas y la parte inferior de la encimera.

5. Una vez nivelada la lavavajillas, verifique que la puerta se abra y se cierre correctamente.

## PASO 6 Asegure la lavavajillas

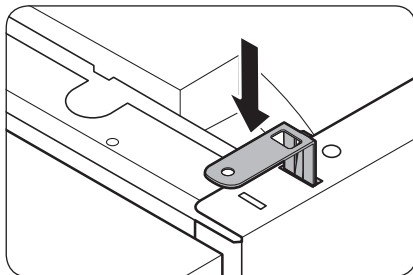
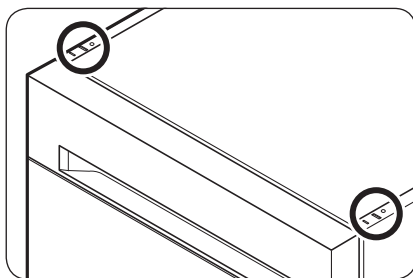
### Ubicación correcta

Antes de fijar la lavavajillas, céntrela en el hueco.



### Cómo fijar la lavavajillas a la encimera

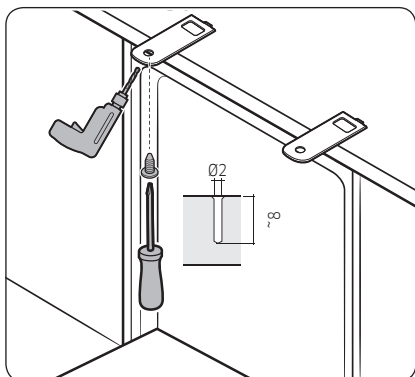
Puede utilizar las ménsulas para asegurar la lavavajillas a la encimera. Alternativamente, puede perforar los orificios laterales para asegurar la lavavajillas a los lados del gabinete.



1. Coloque una toalla grande en la parte inferior de la lavavajillas (que cubra el sumidero) para evitar que caigan restos de madera o tornillos dentro del sumidero de la lavavajillas.
2. Inserte las ménsulas que se proveen en los orificios de la parte superior delantera de la lavavajillas.
3. Inserte completamente la lavavajillas debajo de la encimera.
4. Con cuidado, perforo 2 orificios para los tornillos en la parte inferior de la encimera por debajo, uno para cada ménsula.
  - Asegúrese de que el orificio que realice sea más pequeño que el diámetro del tornillo.



# Instalación



5. Inserte los tornillos que se proveen en los agujeros de las ménsulas, y luego ajústelos para asegurar la lavavajillas a la encimera.

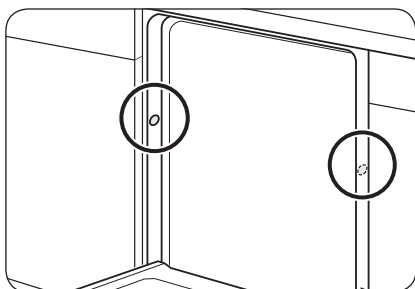
**NOTA**

Utilice un destornillador magnético para evitar que los tornillos caigan dentro de la lavavajillas.

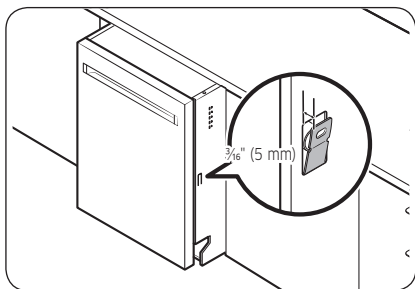
**ADVERTENCIA**

No fijar en encimeras de mármol.

## Cómo fijar a las paredes laterales



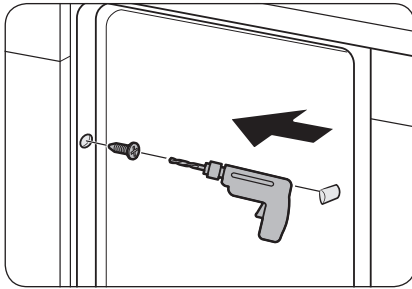
1. Coloque una toalla grande en la parte inferior de la lavavajillas (que cubra el sumidero) para evitar que caigan restos de madera o tornillos dentro del sumidero de la lavavajillas.



2. Para evitar daños en la manguera de desagüe a través del conducto de agua, jale ligeramente la lavavajillas y doble las ménsulas incorporadas de los gabinetes izquierdo y derecho unas  $\frac{3}{16}$ " (5 mm). Cuando termine, vuelva a insertar la lavavajillas alineada en el centro.





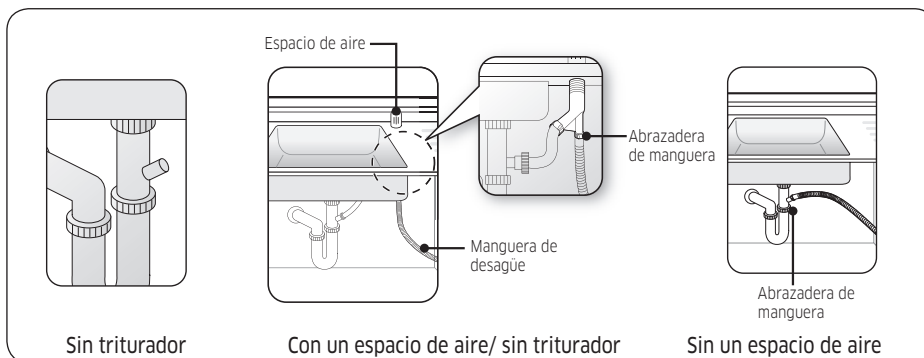


3. Perfore un orificio en ambos lados del gabinete de la cocina, totalizando 4 orificios para los tornillos.
  - Asegúrese de que el orificio que realice sea más pequeño que el diámetro del tornillo.
  - Asegúrese de que la broca no llegue a los laterales de los orificios de las tapas de los separadores.
4. Ajuste los tornillos que se proveen en los agujeros para asegurar la lavavajillas al gabinete.
5. Coloque las tapas de plástico provistas en los 4 sitios donde se ajustan los tornillos.

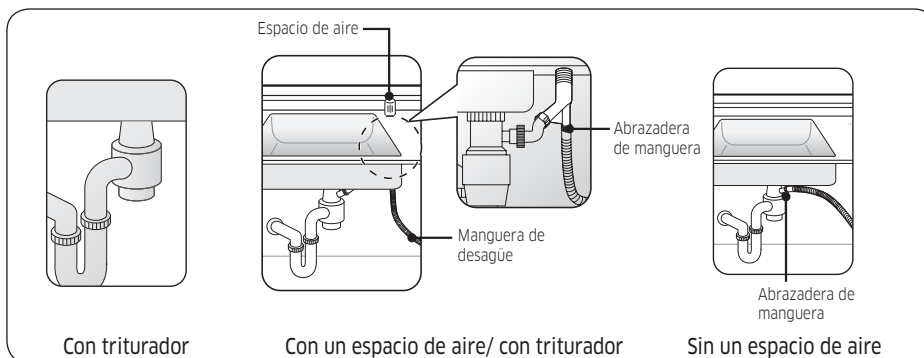
# Instalación

## PASO 7 Conecte la manguera de desagüe

Hay muchas maneras de insertar la manguera de desagüe en el conector de la manguera de desagüe del fregadero. Debe conectar la salida del desagüe conforme a las reglamentaciones de instalación de tuberías de agua de su región.



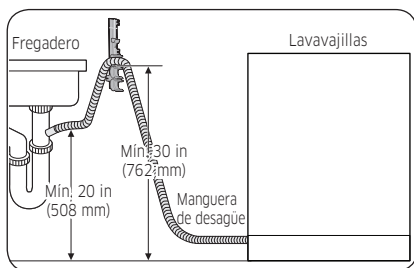
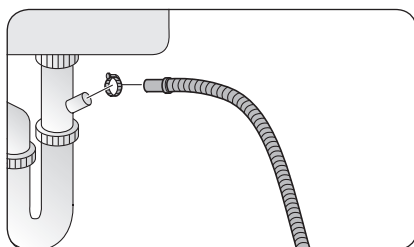
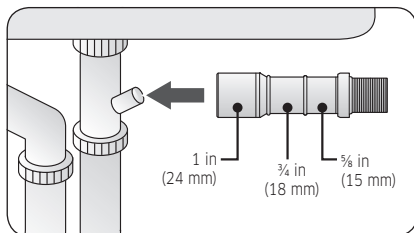
Sistema de desagüe sin triturador de residuos



Sistema de desagüe con triturador de residuos

### NOTA

Cuando se conecta el triturador a la lavavajillas por primera vez, es necesario quitar el tapón del conector del triturador.



1. Verifique el tamaño del conector de la manguera de desagüe del fregadero. Si es necesario, corte la manguera de desagüe para que el extremo calce en el conector del fregadero.

**NOTA**

Si la manguera de desagüe no calza en el conector del fregadero, puede comprar un adaptador en una plomería o ferretería.

2. Deslice la abrazadera de la manguera hacia el extremo final de la manguera, inserte la manguera de desagüe al conector del fregadero y, luego, ajuste la abrazadera de la manguera.

**NOTA**

La manguera de desagüe requiere un lazo elevado. Si no hay un espacio de aire, asegúrese de colgar la mitad de la manguera más arriba de la base del gabinete para evitar el flujo de retorno (ver la imagen de la izquierda).

3. Cuando realice un agujero en la pared del gabinete para la manguera de desagüe, tenga cuidado de que los bordes filosos del orificio no dañen la manguera.
  - Si las paredes son de madera, lije los bordes para suavizarlos.
  - Si las paredes son de metal, use cinta aislante o cinta americana para cubrir los bordes filosos alrededor del agujero.
4. Asegure la manguera de desagüe a la pared del fregadero con sujetacables o con otros materiales de fijación.

**PRECAUCIÓN**

- Tenga cuidado de no dañar la manguera de desagüe cuando instale la lavavajillas.
- Instale el sistema de desagüe correctamente para que la manguera no se desconecte de la salida durante el proceso de drenaje.
- Asegúrese de que la manguera de desagüe, la manguera de suministro y el cable de alimentación no estén retorcidos o doblados.

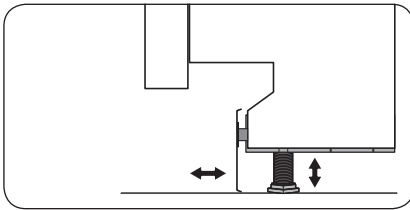
# Instalación

## PASO 8 Verificación final

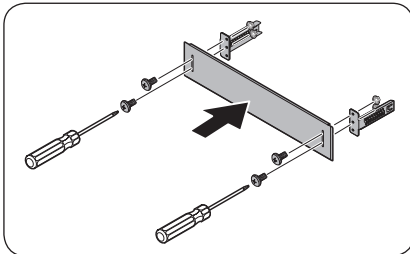
1. Retire la espuma, el papel de empaque y todo lo que sea innecesario del interior de la lavavajillas.
2. Active el disyuntor.
3. Abra la válvula de agua para suministrar agua a la lavavajillas.
4. Enchufe la lavavajillas.
5. Encienda la lavavajillas y luego seleccione y ejecute un ciclo.
6. Verifique si la lavavajillas se enciende normalmente o si hay alguna pérdida de agua mientras está en funcionamiento. Revise si hay filtraciones de agua en ambos extremos del conducto de agua y en el conector de la manguera de desagüe.
7. Verifique que el burlete de la placa de protección esté colocado en la parte inferior de la placa de protección. Para instalar la placa de protección, consulte la sección **Placa de protección** más abajo.

### Placa de protección

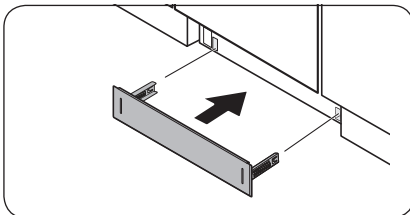
Si desea instalar la placa de protección, siga estas instrucciones.

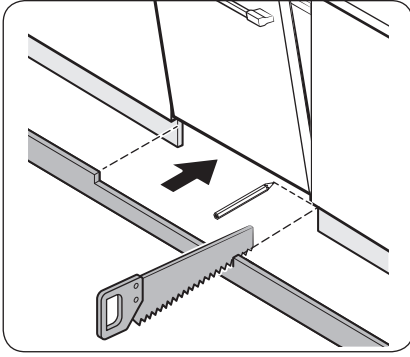


1. Si ajusta las patas delanteras, la unidad quedará desnivelada e interferirá con la encimera.



2. Instale la placa de protección en la lavavajillas mediante las ménsulas. Asegúrese de que las ménsulas de la placa de protección estén en la dirección correcta. Vea los detalles en la figura.





3. Si utiliza la moldura del piso del gabinete en vez de la placa de protección, antes de fijarla a la lavavajillas recorte la parte de la moldura que interfiera con la puerta.

# Notas

---

# Notas

---

# SAMSUNG

¿TIENE ALGUNA PREGUNTA O ALGÚN COMENTARIO?

| PAÍS   | LLAME AL  | O VISÍTENOS EN LÍNEA EN   |
|--|---|---|
| U.S.A<br>- Consumer Electronics<br>- Mobile Phones | 1-800-SAMSUNG (726-7864)<br>1-844-SAM-PAYS (726-7297) | <a href="http://www.samsung.com/us/support">www.samsung.com/us/support</a>  |
| CANADA   | 1-800-SAMSUNG(726-7864)<br>1-844-SAM-PAYS (726-7297)  | <a href="http://www.samsung.com/ca/support">www.samsung.com/ca/support</a> (English)<br><a href="http://www.samsung.com/ca_fr/support">www.samsung.com/ca_fr/support</a> (French) |



DD81-03056A-00



# Lave-vaisselle

---

Manuel d'installation

DW50T6060\*\*

---



**SAMSUNG**

# Table des matières

---

|  |          |
|--|----------|
| <b>Installation</b>                        | <b>3</b> |
| Accessoires fournis                        | 3        |
| Conditions indispensables à l'installation | 6        |
| Alimentation                               | 6        |
| Prise de terre                             | 6        |
| Alimentation en eau                        | 7        |
| Réduire les risques de fuites :            | 7        |
| Sol  | 7        |
| Dimensions et caractéristiques techniques  | 8        |
| Installation étape par étape               | 10       |
| ÉTAPE 1 Choisir un emplacement             | 10       |
| ÉTAPE 2 Brancher l'arrivée d'eau chaude    | 11       |
| ÉTAPE 3 Disposition des tuyaux             | 12       |
| ÉTAPE 4 Insérer le sous-pied               | 13       |
| ÉTAPE 5 Mettre à niveau le lave-vaisselle  | 14       |
| ÉTAPE 6 Fixer le lave-vaisselle            | 15       |

# Installation

Suivez attentivement ces instructions pour installer correctement votre lave-vaisselle et éviter tout accident lors du lavage de votre vaisselle.

## Accessoires fournis

Vérifiez que toutes les pièces se trouvent dans l'emballage du produit. Pour toute question relative au lave-vaisselle ou aux pièces, contactez le service client Samsung ou votre revendeur. L'aspect de votre lave-vaisselle peut être différent selon le modèle et le pays.

### ⚠ ATTENTION

Après avoir retiré l'emballage du lave-vaisselle, gardez l'emballage hors de portée des enfants pour des raisons de sécurité.

### DW50T6060U\*



Supports du haut  
(2 pièces)



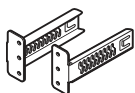
Ø4 X 14 vis (2 pièces)



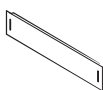
Sous-pied (3 pièces)



Vis Ø3,5 X 16  
(2 pièces)



Supports de la  
plaque de protection  
(2 pièces)



Plaque de protection



Raccord à écrou et  
joint (pour le raccord  
à 90°)



Bouchons en plastique  
(2 pièces)



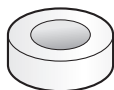
Boulons de la  
plaque de protection  
(4 pièces)



Écrous de la plaque de  
protection (4 pièces)

# Installation

## Kit d'installation (non fourni)



Ruban isolant et ruban pour conduits standard



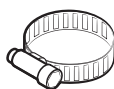
Tuyau d'eau chaude



Raccord à 90° (3/4")



Raccords pour tuyaux



Collier de serrage



Coupure antirefoulement



Raccord en caoutchouc



Ruban Téflon ou composé d'étanchéité

### **AVERTISSEMENT**

N'utilisez pas de tube en plastique ; il risque de se détériorer avec le temps et de provoquer des fuites dans le raccord.

### REMARQUE

- Tuyau d'eau chaude : un tuyau en cuivre d'au moins  $\frac{3}{8}$ " (diamètre extérieur) avec raccord à compression ou un tuyau d'arrivée d'eau chaude souple tressé en inox est fortement recommandé.
- Coude de 90° avec filetage NPT externe de  $\frac{3}{4}$ " sur une extrémité et un coude adapté au tuyau d'eau chaude (tuyau en cuivre/raccord de compression ou tuyau tressé) sur l'autre extrémité.
- Pour le câble d'alimentation, nous vous recommandons d'utiliser un câble 12-2 gainé avec mise à la terre. Remarque : certains codes locaux peuvent exiger un câble avec gaine métallique de style BX.

### Outils requis (non fournis)



Perceuse électrique



Lunettes de sécurité



Gants



Lampe de poche



Clé à molette



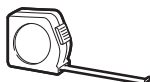
Tournevis Torx T15



Pinces



Pince coupante



Mètre à ruban



Crayon



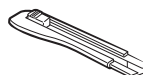
Tournevis cruciforme



Tournevis plat



Coupe-tube



Couteau



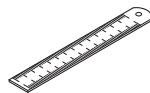
Niveau



Scie-cloche



Clé hexagonale



Règle en acier



# Installation

## Conditions indispensables à l'installation

Afin d'éviter tout risque d'incendie, d'électrocution ou de blessure, le câblage et la mise à la terre doivent être effectués par un technicien qualifié.

### Alimentation

- Afin d'éviter tout risque d'incendie, de choc électrique ou de blessure, le câblage et la mise à la terre doivent être conformes au National Electrical Code (Code national sur les installations électriques) ANSI/FNPA, N° 70 (dernière édition) et aux directives et règlements locaux en vigueur. Il relève de la responsabilité du propriétaire de l'appareil de fournir une installation électrique conforme.
- Au moment de préparer l'installation de l'appareil, assurez-vous que votre alimentation fournisse un circuit de dérivation de 120 V, 60 Hz, relié uniquement à votre lave-vaisselle avec un disjoncteur ou fusible de 15 A.
- Votre lave-vaisselle doit être mis à la terre. En cas de dysfonctionnement ou de panne, la mise à la terre permet de réduire le risque d'électrocution en créant un chemin de moindre résistance pour le courant électrique.

### AVERTISSEMENT

- N'utilisez pas de rallonge.
- Utilisez exclusivement la fiche électrique fournie avec le lave-vaisselle.

### Prise de terre

Pour une mise à la terre permanente, le lave-vaisselle doit être correctement mis à la terre via un système de câblage permanent ou métallique. Le conducteur de mise à la terre doit être associé aux conducteurs du circuit puis relié à la borne ou au fil de mise à la terre du lave-vaisselle.

### AVERTISSEMENT

- Ne branchez pas le câble de mise à la terre sur des canalisations ou des conduites de gaz ou d'eau chaude. Le mauvais branchement des conducteurs de mise à la terre peut provoquer un choc électrique.
- N'altérez pas la fiche électrique du lave-vaisselle. Si elle ne se branche pas, faites installer une prise murale appropriée par un électricien qualifié.





### Alimentation en eau

- Le tuyau d'arrivée d'eau chaude doit supporter une pression d'eau comprise entre 20 et 120 psi (140 et 830 kPa).
- Les températures d'eau doivent être comprises entre 120 °F (49 °C) et 149 °F (65 °C).

### Réduire les risques de fuites :

- Assurez-vous que les robinets d'eau sont facilement accessibles.
- Fermez le robinet lorsque le lave-vaisselle n'est pas utilisé.
- Vérifiez régulièrement que les raccords de tuyaux d'eau ne présentent pas de fuite.

### Sol

Pour des raisons de sécurité, votre lave-vaisselle doit être installé sur un sol stable et solide. Les sols en bois peuvent nécessiter un renforcement pour diminuer les vibrations. Évitez de l'installer sur une moquette ou dalle souple. La moquette et les dalles souples peuvent générer des vibrations pouvant déplacer lentement votre lave-vaisselle lorsqu'il fonctionne.

#### **AVERTISSEMENT**

N'installez pas le lave-vaisselle sur une structure fragile.

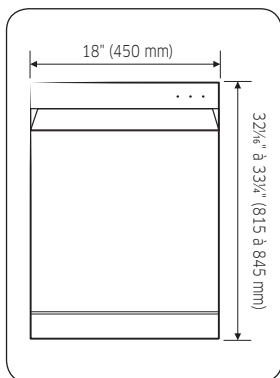


# Installation

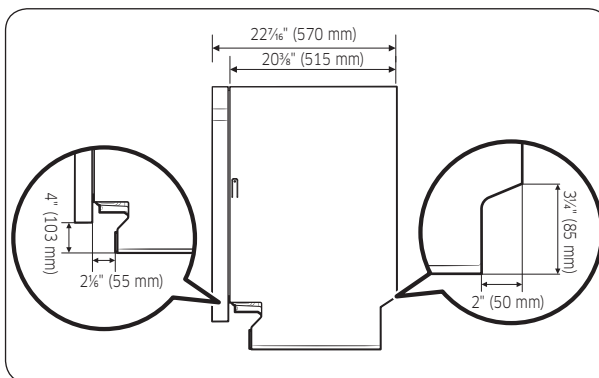
## Dimensions et caractéristiques techniques

### Lave-vaisselle

Série DW50T6060U\* (modèle sous plan de travail)

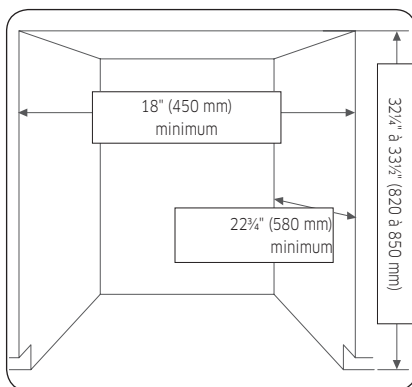


Vue avant



Vue latérale

### Châssis



- Ce lave-vaisselle est conçu pour être encastré dans un meuble standard de cuisine domestique aussi bien sur le dessus que les deux côtés.
- L'emplacement d'installation doit être propre et dégagé.
- L'emplacement doit avoir une largeur de 23 3/4", une profondeur de 22 3/4" et une hauteur de 32 1/4".
- Afin que la porte avant du lave-vaisselle soit parfaitement alignée avec le bord du plan de travail, ce dernier doit avoir une profondeur minimale de 23".



---

## Caractéristiques techniques

Les caractéristiques techniques sont susceptibles d'être modifiées sans préavis, à des fins d'amélioration de la qualité. Le lave-vaisselle peut différer des illustrations présentées dans le présent manuel.

|  |  |
|--|--|
| Alimentation                                   | CA 120 V, 15 A, 60 Hz  |
| Pression d'eau                                 | 20 à 120 psi (140 à 830 kPa)   |
| Dimensions<br>(largeur x profondeur x hauteur) | DW50T6060U* : 18 x 22 $\frac{7}{16}$ x 32 $\frac{1}{16}$ po (450 x 570 x 815 mm) |
| Température minimale de l'arrivée d'eau        | 120 °F (49 °C)   |

# Installation

## Installation étape par étape

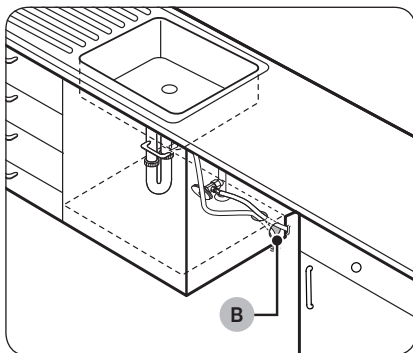
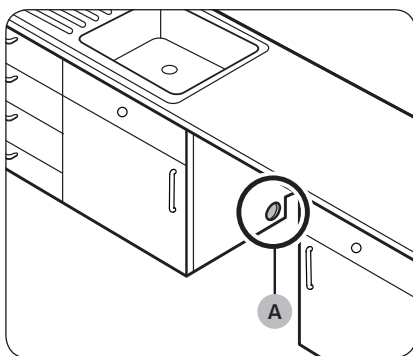
La procédure d'installation peut différer selon les modèles.

### ÉTAPE 1 Choisir un emplacement

Choisissez un emplacement répondant aux conditions suivantes.

- Le sol de la pièce choisie doit pouvoir supporter le poids du lave-vaisselle.
- Choisissez un endroit situé près d'un évier (9,8 pi/3 m), à proximité d'une arrivée d'eau, d'un système d'évacuation et d'une prise électrique.
- Vous devez pouvoir charger la vaisselle facilement.
- Choisissez un emplacement qui vous permette d'ouvrir facilement la porte du lave-vaisselle et assurez-vous qu'il y ait un espace suffisant entre l'appareil et les parois l'entourant (au moins 0,1 po/2 mm).
- La paroi arrière ne doit pas être obstruée.

#### Installation dans un nouvel emplacement



Si vous installez le lave-vaisselle dans un nouvel emplacement, suivez ces instructions avant de procéder à l'installation.

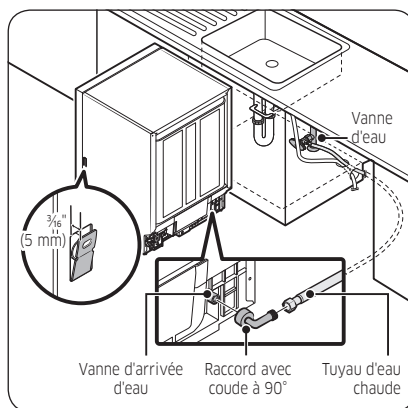
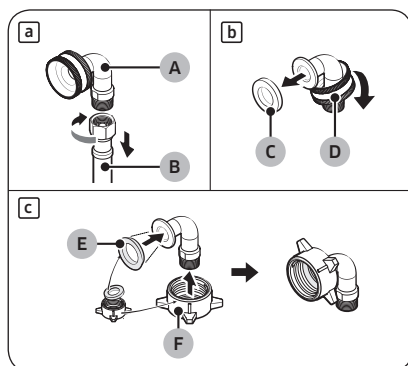
1. À l'aide d'une scie-cloche, effectuez un trou sur le côté du meuble qui porte l'évier (A).
2. Si la base à l'intérieur du meuble de l'évier est surélevée par rapport au sol de la cuisine et se trouve plus haute que les raccordements du lave-vaisselle, effectuez un trou dans la base intérieure du meuble et sur le côté de ce dernier (B).

#### REMARQUE

- Si vous remplacez un ancien lave-vaisselle, vérifiez les branchements existants pour voir s'ils sont compatibles avec le nouveau lave-vaisselle et remplacez les branchements si nécessaire.
- Vous aurez peut-être besoin de percer le meuble du côté opposé selon l'emplacement de la prise électrique.

## ÉTAPE 2 Brancher l'arrivée d'eau chaude

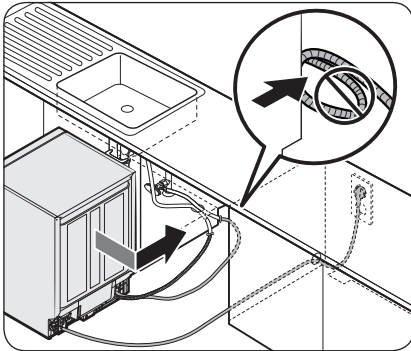
- La pression de l'eau doit être comprise entre 20 et 120 psi (140 à 830 kPa).
- Assurez-vous que la température de l'eau se situe entre 120 °F et 149 °F (49 °C et 60 °C). Le lave-vaisselle risque de dysfonctionner si cette limite est dépassée.
- Assurez-vous d'avoir fermé le robinet et d'avoir coupé le disjoncteur avant de raccorder le tuyau d'arrivée d'eau au lave-vaisselle.
- Assurez-vous que le tuyau d'eau est bien raccordé. Enroulez du ruban Téflon autour de chaque jonction et raccord métallique afin d'empêcher toute fuite d'eau.



1. Utilisez le raccord à écrou fourni pour raccorder le tuyau d'eau au lave-vaisselle. Suivez les étapes ci-après :
  - a. Détachez le **raccord à 90° (A)** au niveau du **tuyau (B)**.
  - b. Retirez la **rondelle en caoutchouc (C)** et l'**écrou en laiton (D)** au niveau du raccord à 90°.
  - c. Sur le raccord à écrou fourni, détachez le **joint (E)** et l'**élément en nylon (F)**, puis installez-les sur le raccord à 90° comme illustré. Vous devez insérer le côté le plus petit du joint.
2. Insérez un raccord de ¾" à 90° dans la vanne d'arrivée d'eau. Serrez le raccord jusqu'à ce qu'il pointe vers la gouttière du tuyau d'eau située à la base du lave-vaisselle. Ne le serrez pas trop.
3. Branchez le tuyau d'eau chaude sur le raccord.
4. Si vous souhaitez fixer le lave-vaisselle à la paroi latérale pour plus de stabilité, recourbez les supports des corps gauche et droit en vous reportant à l'illustration.

# Installation

## ÉTAPE 3 Disposition des tuyaux



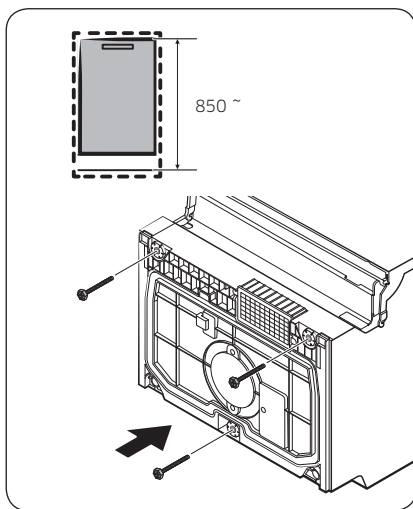
1. Veillez à ce que le câble d'alimentation et le tuyau d'évacuation se déplacent ensemble.
2. Placez délicatement le lave-vaisselle dans l'espace prévu sous l'évier. Tout en déplaçant le lave-vaisselle, tirez le tuyau d'eau, le tuyau d'évacuation et le câble d'alimentation dans cet espace.

### ⚠ ATTENTION

- Veillez à ne pas marcher ni trébucher sur les tuyaux et la fiche électrique.
- La prise murale ne peut pas se trouver derrière le lave-vaisselle.

#### ÉTAPE 4 Insérer le sous-pied

Si la distance entre le sol et le dessous du plan de travail est supérieure à 850 mm, insérez le sous-pied dans l'orifice situé sous le lave-vaisselle avant de commencer l'installation.



1. Déposez le lave-vaisselle sur sa surface arrière.

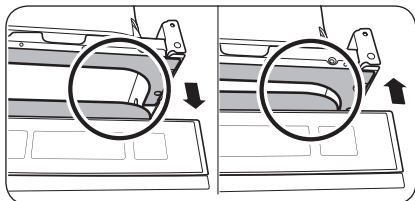
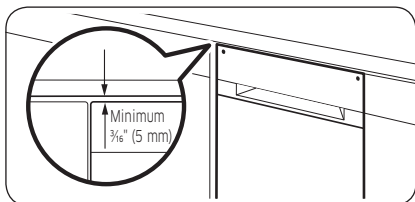
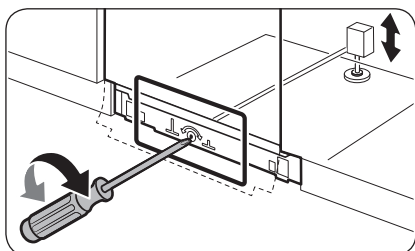
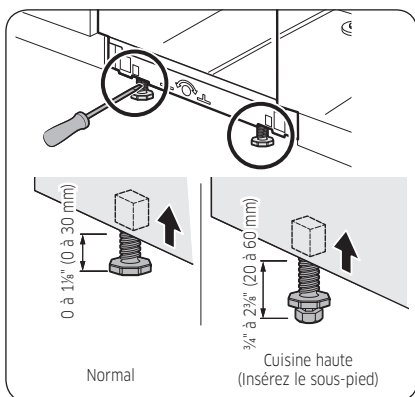
**⚠ ATTENTION**

Ne déposez pas le lave-vaisselle sur l'un de ses côtés. De l'eau risquerait de fuir.

2. Cherchez le sous-pied dans le kit d'installation, puis insérez le sous-pied dans l'orifice situé sous le lave-vaisselle, comme indiqué sur l'illustration.

# Installation

## ÉTAPE 5 Mettre à niveau le lave-vaisselle



Vous pouvez régler la hauteur du lave-vaisselle pour le mettre à niveau. Notez que dans ces étapes, le lave-vaisselle est à moitié inséré.

1. Utilisez le niveau pour vérifier l'horizontalité du lave-vaisselle.
2. Lors du réglage de la hauteur à l'avant, utilisez le pied normal pour les hauteurs inférieures à 1 1/4".
  - Pour abaisser la hauteur, tournez le pied dans le sens horaire.
  - Pour lever la hauteur, tournez le pied dans le sens antihoraire.
3. Pour régler la hauteur à l'arrière, insérez le tournevis au milieu de la partie basse du lave-vaisselle.
  - Pour abaisser la hauteur, tournez le tournevis dans le sens horaire.
  - Pour lever la hauteur, tournez le tournevis dans le sens antihoraire.

### ⚠ ATTENTION

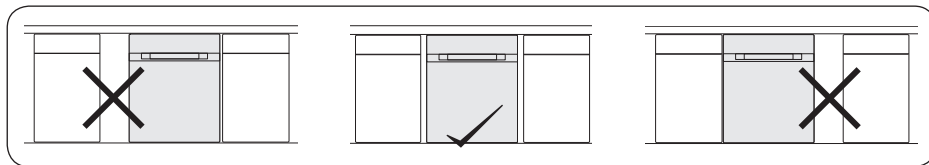
N'utilisez pas de perceuse à percussion pour régler le pied arrière.

4. Laissez un espace d'au moins 3/16" (5 mm) entre le haut du lave-vaisselle et le dessous du plan de travail.
5. Lorsque la mise à niveau est terminée, vérifiez que la porte s'ouvre et se ferme correctement.

## ÉTAPE 6 Fixer le lave-vaisselle

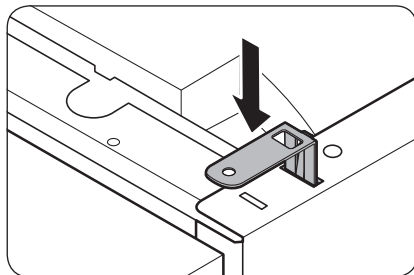
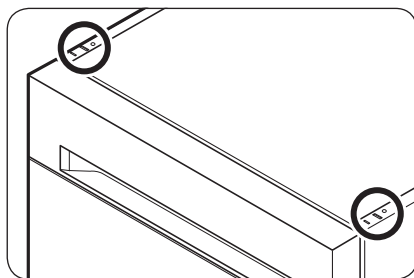
### Bon positionnement

Avant de fixer le lave-vaisselle en place, centrez-le dans l'ouverture.



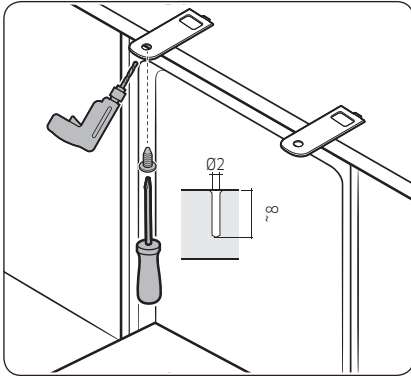
### Fixation au plan de travail

Vous pouvez utiliser les supports pour fixer le lave-vaisselle au plan de travail. Sinon, vous pouvez percer les trous latéraux pour fixer le lave-vaisselle sur les côtés du meuble.

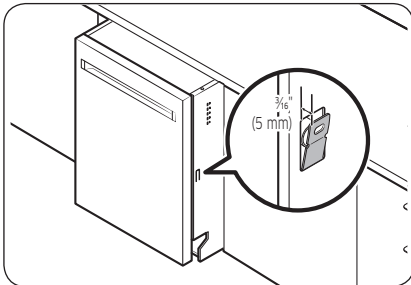
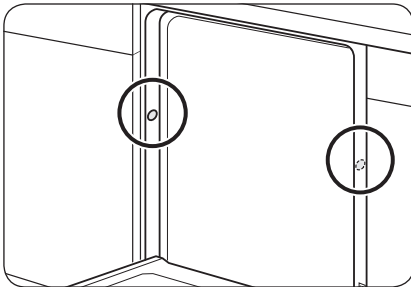


1. Placez une grande serviette au fond du lave-vaisselle (recouvrant le puits collecteur) afin d'empêcher que des copeaux de bois ou des vis ne tombent dans le puits collecteur de l'appareil.
2. Insérez les supports fournis dans les trous situés en haut à l'avant du lave-vaisselle, comme indiqué.
3. Insérez complètement le lave-vaisselle sous le plan de travail.
4. Percez délicatement 2 trous de vis sur le dessous de la partie inférieure du plan de travail, un pour chaque support d'installation.
  - Assurez-vous que le trou que vous percez soit plus petit que le diamètre de la vis.

# Installation



Fixation aux parois latérales



5. Insérez les vis fournies dans les trous des supports, puis serrez-les pour fixer le lave-vaisselle au plan de travail.

## REMARQUE

Utilisez un tournevis magnétique pour éviter que les vis ne tombent.

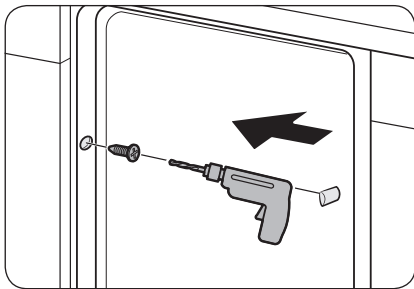
## AVERTISSEMENT

N'essayez pas de visser dans un plan de travail en pierre.

1. Placez une grande serviette au fond du lave-vaisselle (recouvrant le puits collecteur) afin d'empêcher que des copeaux de bois ou des vis ne tombent dans le puits collecteur de l'appareil.

2. Afin d'éviter d'endommager le tuyau d'évacuation via le tuyau d'arrivée d'eau, tirez le lave-vaisselle pour le sortir légèrement et recourbez de  $\frac{3}{16}$ " (5 mm) les supports à oreilles intégrés sur les corps gauche et droit. Une fois cela fait, réinsérez le lave-vaisselle aligné au centre.





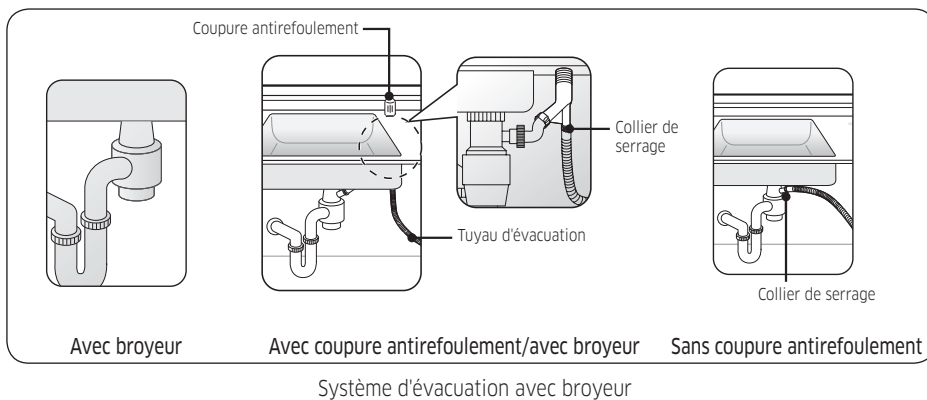
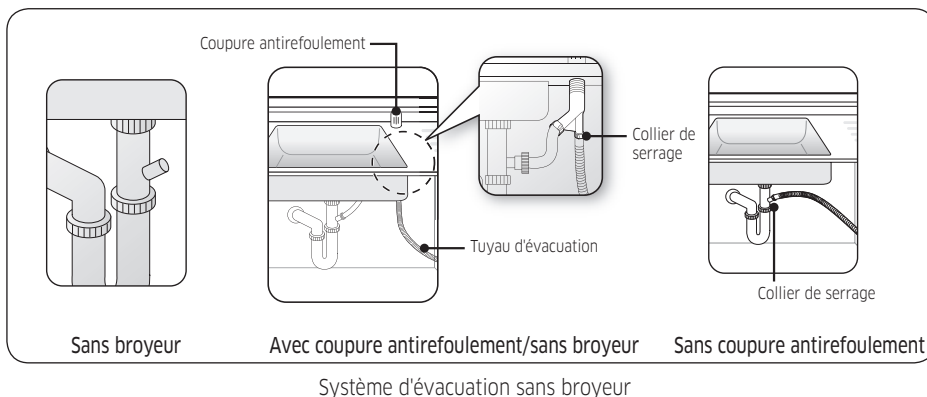
3. Percez un trou des deux côtés du meuble de cuisine pour obtenir 4 trous de vis.
  - Assurez-vous que le trou que vous percez soit plus petit que le diamètre de la vis.
  - Veillez à ce que le foret de la perceuse ne heurte pas les côtés des trous des cache-vis.
4. Serrez les vis fournies dans les trous pour fixer le lave-vaisselle au meuble.
5. Insérez les bouchons en plastique fournis sur les 4 emplacements où les vis sont serrées.



# Installation

## ÉTAPE 7 Raccorder le tuyau d'évacuation

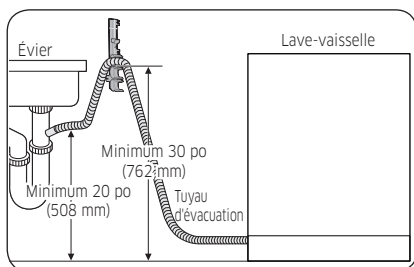
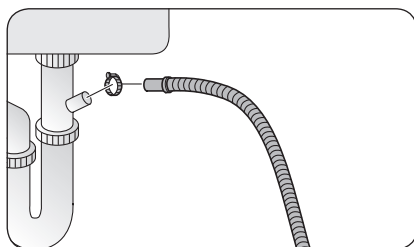
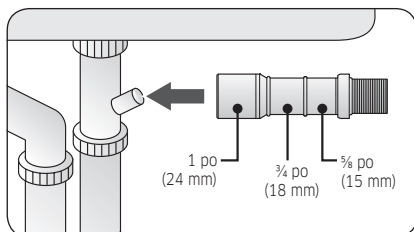
Il existe plusieurs façons d'insérer le tuyau d'évacuation dans le raccord du tuyau d'évacuation de l'évier. Le raccordement du tuyau d'évacuation doit se faire conformément aux règlements sur l'installation de tuyaux d'eau en vigueur dans votre région.



### REMARQUE

Lorsqu'un broyeur est relié pour la première fois à un lave-vaisselle, l'obturateur situé à l'intérieur du raccord du broyeur doit être retiré.





1. Vérifiez la taille du raccord du tuyau d'évacuation de l'évier. Au besoin, coupez le tuyau d'évacuation pour que son extrémité s'adapte au raccord de l'évier.

#### REMARQUE

Si le tuyau d'évacuation n'est pas adapté au raccord de l'évier, vous pouvez vous procurer un adaptateur dans un magasin de bricolage.

2. Faites glisser le collier de serrage jusqu'à l'extrémité du tuyau, insérez le tuyau d'évacuation dans le raccord de l'évier puis serrez le collier de serrage.

#### REMARQUE

Le tuyau d'évacuation nécessite une boucle haute. S'il n'y a pas d'entrefer, assurez-vous d'accrocher la partie centrale du tuyau d'évacuation bien au-dessus de la base du meuble de l'évier pour empêcher tout retour d'eau (reportez-vous à l'image sur la gauche).

3. Lorsque vous percez un trou dans le tuyau d'évacuation sur la paroi du meuble, veillez à ce que les bords tranchants du trou n'endommagent pas le tuyau d'évacuation.
  - Sur les parois en bois, utilisez du papier abrasif pour poncer et rendre les bords plus lisses.
  - Sur les parois métalliques, utilisez du ruban isolant ou du ruban pour conduits pour couvrir les bords tranchants autour du trou.
4. Fixez le tuyau d'évacuation sur la paroi de l'évier à l'aide de serre-câbles ou d'autres matériaux de serrage.

#### ATTENTION

- Veillez à ne pas endommager le tuyau d'évacuation lorsque vous installez le lave-vaisselle.
- Installez correctement le système d'évacuation de sorte que le tuyau d'évacuation ne se débranche pas de la sortie d'évacuation pendant la vidange.
- Assurez-vous que le tuyau d'évacuation, le tuyau d'alimentation ou le cordon d'alimentation ne sont pas noués ou pliés.



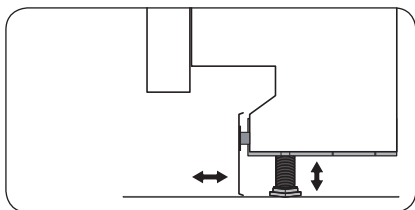
# Installation

## ÉTAPE 8 Vérification finale

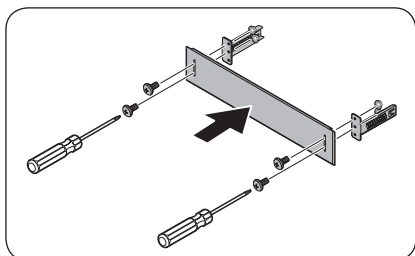
1. Retirez toute la mousse, l'emballage papier et les pièces inutiles de l'intérieur du lave-vaisselle.
2. Allumez le disjoncteur.
3. Ouvrez ensuite la vanne d'arrivée d'eau pour alimenter le lave-vaisselle en eau.
4. Branchez le lave-vaisselle.
5. Allumez le lave-vaisselle, puis sélectionnez et lancez un cycle.
6. Assurez-vous qu'il se met correctement sous tension et qu'il n'y a aucune fuite d'eau lorsque le lave-vaisselle est en marche. Vérifiez l'absence de fuites d'eau au niveau des deux extrémités du tuyau d'arrivée d'eau et du raccordement du tuyau d'évacuation.
7. Assurez-vous que le joint d'étanchéité de la plaque de protection se trouve bien dans la partie inférieure de la plaque. Pour installer la plaque de protection, reportez-vous à la section **Plaque de protection** ci-dessous.

### Plaque de protection

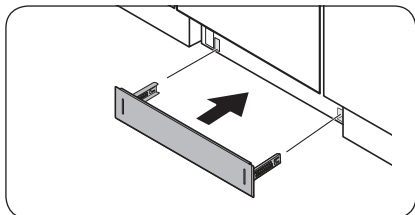
Si vous souhaitez installer la plaque de protection, suivez ces instructions.

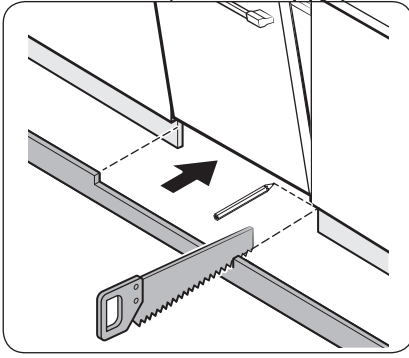


1. Le réglage des pieds avant altérera la mise à niveau de l'appareil et provoquera des interférences avec le plan de travail.



2. Fixez la plaque de protection au lave-vaisselle à l'aide des supports. Assurez-vous que les supports sont dans le bon sens. Reportez-vous à l'illustration pour plus d'informations.





3. Si vous utilisez la moulure de bas de meuble à la place de la plaque de protection, coupez la partie de la moulure de bas de meuble qui interfère avec la porte avant de fixer la moulure de bas de meuble sur le lave-vaisselle.

# Mémo

---

# Mémo

---

# SAMSUNG

## UNE QUESTION ? UN COMMENTAIRE ?

| PAYS   | APPELEZ-NOUS  | OU CONSULTEZ NOTRE SITE INTERNET  |
|--|---|---|
| U.S.A<br>- Consumer Electronics<br>- Mobile Phones | 1-800-SAMSUNG (726-7864)<br>1-844-SAM-PAYS (726-7297) | <a href="http://www.samsung.com/us/support">www.samsung.com/us/support</a>  |
| CANADA   | 1-800-SAMSUNG(726-7864)<br>1-844-SAM-PAYS (726-7297)  | <a href="http://www.samsung.com/ca/support">www.samsung.com/ca/support</a> (English)<br><a href="http://www.samsung.com/ca_fr/support">www.samsung.com/ca_fr/support</a> (French) |



DD81-03056A-00