

# Built-In Electric Wall Oven

---

## Installation manual

NV51K7770\*\* / NV51K6650\*\* / NV51\*5\*\*\*\*\*

---



**SAMSUNG**

## Contents

<b>Safety informations</b>	<b>2</b>
Related equipment safety	2
Transport	2
<b>Preparation</b>	<b>4</b>
Checklist	4
Prepare to install the oven	4
Location requirements	5
Product dimensions - single ovens (NV51K7770S, NV51K6650S)	5
Product dimensions - single oven (NV51*5***S*)	6
Cabinet dimensions - single ovens	6
Product dimensions - double ovens (NV51K7770D, NV51K6650D)	7
Product dimensions - double oven (NV51*5***D*)	8
Cabinet dimensions - double ovens	8
<b>Installation instructions</b>	<b>10</b>
Prepare built-in oven	10
Remove and replace oven door(s)	11
Electrical connection	13
Install oven	15
<b>Self-diagnosis</b>	<b>16</b>
Temp sensor & Heater check	16

## Safety informations

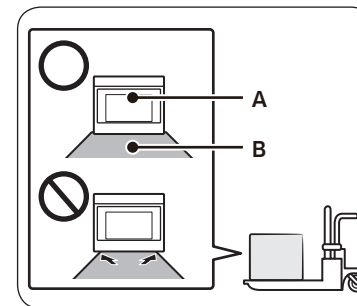
### Related equipment safety

Remove all tape and packaging before using the appliance. Dispose of the packaging after unpacking the appliance. Never allow children to play with packaging material.

Never modify or alter the construction of the appliance. For example, do not remove panels, wire covers or screws.

### Transport

To avoid damage to the oven vent, use the transport method shown in the picture below.



- A. Front
- B. Pallet

Support the bottom of the oven from either side when moving it into the installation location. Leave the unit attached to the shipping pallet until it is in front of the cabinet opening and is ready to be lifted into place.

### **⚠ DANGER**

#### **ELECTRICAL SHOCK HAZARD**

To avoid risk of electrical shock, personal injury or death; verify your appliance has been properly grounded in accordance with local codes or in absence of codes, with the National Electrical Code (NEC). ANSI/NFPA 70-latest edition.

### **⚠ WARNING**

#### **MOVING HAZARD**

To avoid risk of severe personal injury; this appliance requires two or more people while handling and moving. Use of appliance moving devices is recommended.

### **⚠ WARNING**

- The information in this manual should be followed exactly.
  - A fire or electrical shock may result causing property damage, personal injury or death.
- Important - Save this installation manual for local electrical inspector's use.
- Proper Installation - Be sure your appliance is properly installed and grounded by a qualified technician.
- New branch-circuit installations (1996 NEC), mobile homes, recreational vehicles, or installations where local codes prohibit grounding through the neutral conductor require 4-wire branch-circuit connection.
- Improper connection of aluminum house wiring to copper leads can result in an electrical hazard or fire. Use only connectors designed for joining copper to aluminum and follow the manufacturer's recommended procedure closely.
- Mounting screws must be used.
  - Failure to do so can result in the oven falling out of the cabinet causing serious injury.

### **⚠ CAUTION**

- Make sure the cabinets and wall coverings around the oven can withstand the temperature (up to 194 °F [90 °C]) generated by the oven.
  - Discoloration, delamination or melting may occur.
- DO NOT remove spacers on the side walls of the built-in oven.
  - These spacers center the oven in the space provided. The oven must be centered to prevent excess heat buildup that may result in heat damage or fire.

### **⚠ WARNING**

- The information in this manual should be followed exactly.
  - A fire or electrical shock may result causing property damage, personal injury or death.

### **IMPORTANT NOTE**

Proper installation is the responsibility of the installer and product failure due to improper installation is NOT covered under warranty.

### **⚠ WARNING**

- DO NOT put any weight on the oven door. Never allow anyone to climb, sit, stand or hang on the oven door.
  - The oven could tip and injury might result from food or the oven itself.

### **⚠ WARNING**

- The electrical power must be shut off while the electrical connections are being made.
  - Failure to do so can result in severe personal injury, death or electrical shock.

### **IMPORTANT NOTE**

- Observe all governing codes and ordinances. This appliance must be properly grounded.
- Keep oven vent ducts unobstructed. The oven vent is located bottom of the oven. This area could become hot during oven use. Never block this vent or place plastic or heat-sensitive items in front of it.



# Preparation

## Checklist

Use this checklist to verify that you have completed each step of the installation process. This can help you avoid mistakes.

1. Before installing the oven, be sure to verify the cabinet dimensions are correct for your unit and the required electrical connections are present.
2. Refer to the installation manual for content regarding Safety, Cabinet Dimensions, Removing Packaging, Electrical Installation, Testing the Installation and Customer Service.
3. To lift up the oven, hang the install handle onto the side hook of the unit.
4. Move the oven unit into place in front of the cabinet opening, leaving the bottom packaging on the unit to avoid damaging flooring.
5. Team lift the unit directly into the cabinet cutout taking care not to pinch fingers or scratch hands or arms. Make sure the electrical conduit reaches to the connection point properly.
6. Slide the unit all the way into place, making sure to route the electrical conduit correctly.
7. Fasten the oven unit to the cabinetry opening with screws supplied (using Phillips screwdriver).
8. Consult the complete installation instructions and follow the remainder of the procedures listed, including performing an operation test.
9. All product literature and accessories are supplied (may be wrapped or boxed) with the oven.
10. INSTALLER - Leave the literature pack and the accessories with the customer.
11. Hang the install handle onto the side hook of the oven.

## Prepare to install the oven

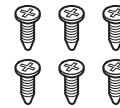


Phillips Screwdriver

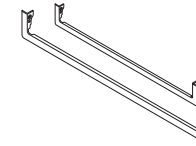


Drill

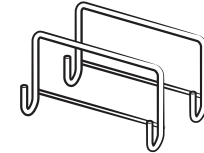
## Prepare to install the oven



6 screws (M4 L16)  
6 Wood Screws For Mounting (4 needed for installation and 2 extra's)



30" (76.2 cm)  
Metal Bottom Trim



Install Handle  
(only for double oven)

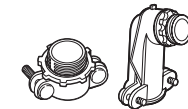
## Materials needed



Junction Box



Wire Nuts



3/4" Conduit Connector





## Location requirements

**IMPORTANT:** Observe all governing codes and ordinances.

- Cabinet opening dimensions that are shown must be used. Given dimensions provide minimum clearance with oven.
- Recessed installation area must provide complete enclosure around the recessed portion of the oven.
- Grounded electrical supply is required. See “Electrical Requirements” section.
- Electrical supply junction box should be located 3” (7.6 cm) maximum below the support surface when the oven is installed in a wall cabinet. A 1” (2.5 cm) minimum diameter hole should have been drilled in the right rear or left rear corner of the support surface to pass the appliance cable through to the junction box.

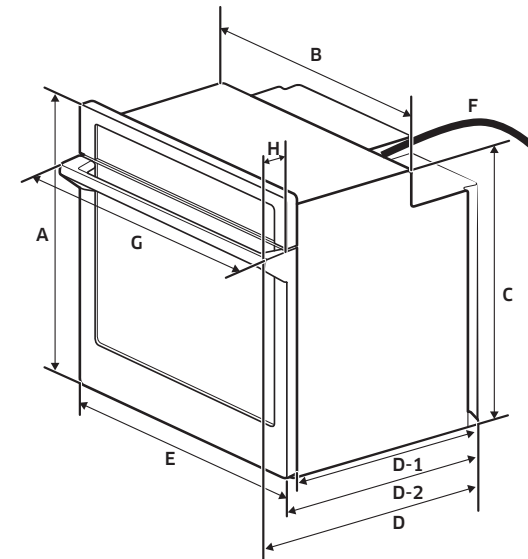
### NOTE

For under counter installation, it is recommended that the junction box be located in the adjacent right or left cabinet. If you are installing the junction box on rear wall behind oven, it is recommended that the junction box be recessed and located in the upper Right of the cabinet.

- Oven support surface must be solid, level and flush with bottom of cabinet cutout.
- Floor must be able to support a single oven weight of 199 lb (90 Kg).
- Floor must be able to support a double oven weight of 331 lb (150 Kg).

**IMPORTANT:** To avoid damage to your cabinets, check with your builder or cabinet supplier to make sure that the materials used will not discolor, delaminate or sustain other damage. This oven has been designed in accordance with the requirements of UL and CSA International and complies with the maximum allowable wood cabinet temperatures of 194 °F (90 °C).

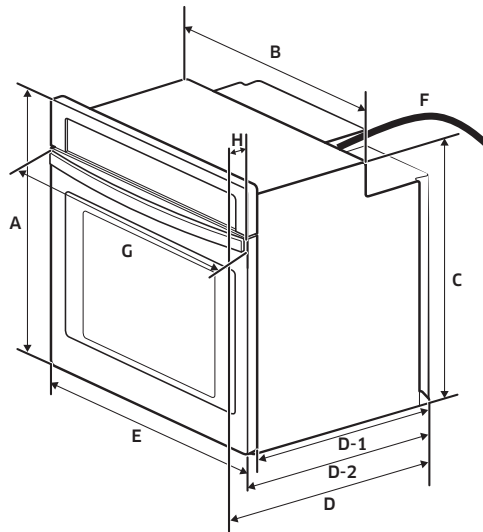
## Product dimensions - single ovens (NV51K7770S, NV51K6650S)



DIMENSION		
A	28 <sup>13</sup> / <sub>16</sub> " (73.1 cm)	Overall height
B	28 <sup>1</sup> / <sub>2</sub> " (72.4 cm)	Recessed width
C	27 <sup>3</sup> / <sub>16</sub> " (69.1 cm)	Recessed height
D	26 <sup>15</sup> / <sub>16</sub> " (68.5 cm)	Overall depth (with Handle)
D-1	23 <sup>1</sup> / <sub>8</sub> " (58.7 cm)	Recessed depth
D-2	24 <sup>3</sup> / <sub>8</sub> " (62.0 cm)	Overall depth
E	29 <sup>3</sup> / <sub>4</sub> " (75.6 cm)	Door width
F	47 <sup>1</sup> / <sub>4</sub> " (120 cm)	Conduit length
G	30" (76.0 cm)	Overall width (Handle width)
H	2 <sup>9</sup> / <sub>16</sub> " (6.5 cm)	Handle depth

# Preparation

## Product dimensions - single oven (NV51\*5\*\*\*S\*)

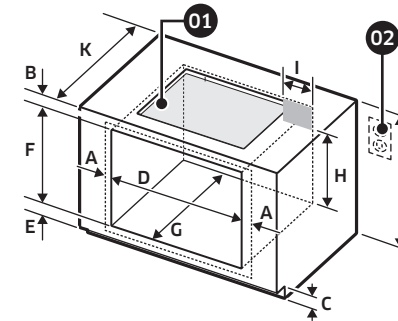


DIMENSION		
A	28 <sup>13</sup> / <sub>16</sub> " (73.1 cm)	Overall height
B	28 <sup>1</sup> / <sub>2</sub> " (72.4 cm)	Recessed width
C	27 <sup>3</sup> / <sub>16</sub> " (69.1 cm)	Recessed height
D	26 <sup>5</sup> / <sub>8</sub> " (67.6 cm)	Overall depth (with Handle)
D-1	23 <sup>1</sup> / <sub>8</sub> " (58.7 cm)	Recessed depth
D-2	24 <sup>3</sup> / <sub>8</sub> " (62.0 cm)	Overall depth
E	29 <sup>3</sup> / <sub>4</sub> " (75.6 cm)	Overall width (Door width)
F	47 <sup>1</sup> / <sub>4</sub> " (120 cm)	Conduit length
G	28 <sup>9</sup> / <sub>16</sub> " (72.5 cm)	Handle width
H	2 <sup>1</sup> / <sub>4</sub> " (5.7 cm)	Handle depth

## Cabinet dimensions - single ovens

### Single Oven Under counter

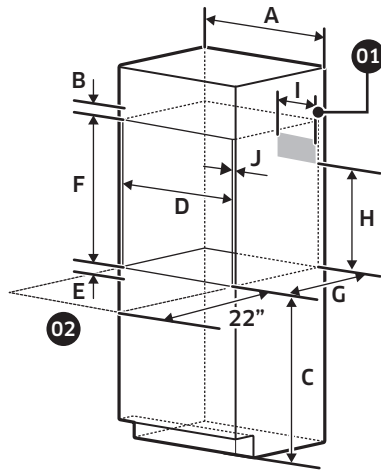
- 01 Gas or Electric cooktops may be installed over this oven. See cooktop installation instructions for cutout size. See label on top of approved cooktop models.
- 02 Gas and Electrical Connections for Gas Cooktop Must be Located in an Adjacent Accessible Location to the Right.



DIMENSION	
A	Min. 1 <sup>1</sup> / <sub>16</sub> " (1.75 cm) - Overlap of Over Side Edges of Cutout
B	Min. 4 <sup>1</sup> / <sub>8</sub> " (10.5 cm)
C	3 <sup>5</sup> / <sub>8</sub> " (9.1 cm)
D	Min. 28 <sup>1</sup> / <sub>2</sub> " / Max. 28 <sup>5</sup> / <sub>8</sub> " (Min. 72.4 cm / Max. 72.7 cm)
E	Min. 1" / Max. 1 <sup>1</sup> / <sub>4</sub> " (Min. 2.5 cm / Max. 3.2 cm)
F	Min. 27 <sup>1</sup> / <sub>4</sub> " / Max. 27 <sup>3</sup> / <sub>8</sub> " (Min. 69.2 cm / Max. 69.5 cm)
G	Min. 23 <sup>1</sup> / <sub>2</sub> " (Min. 59.7 cm)
H	Min 22" (Min 55.9 cm)
I	Max. 9 <sup>1</sup> / <sub>2</sub> " (Max. 24.1 cm) - Junction Box
J	36 <sup>3</sup> / <sub>8</sub> " (92.3 cm) - Counter top Height
K	25" (63.5 cm)

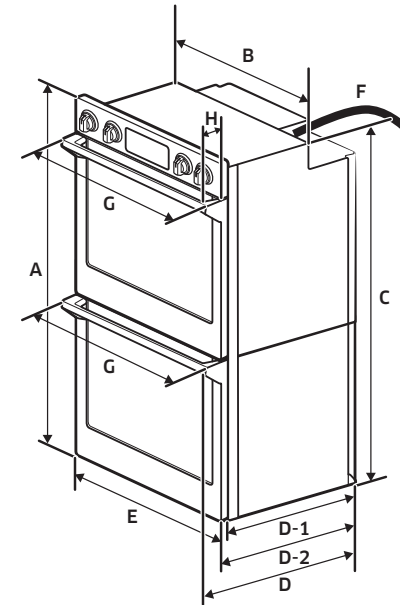
### Single Oven Wall Mount

- 01 Junction Box
- 02 Allow a minimum of 22" for clearance to adjacent corners, drawers, walls, etc. when door is open



DIMENSION	
A	30" (76.2 cm)
B	Min. 1 <sup>3</sup> / <sub>8</sub> " (3.5 cm)
C	Min. 31" (Min 78.7 cm)
D	Min. 28 <sup>1</sup> / <sub>2</sub> " / Max. 28 <sup>5</sup> / <sub>8</sub> " (Min. 72.4 cm / Max. 72.7 cm)
E	Min. 1" / Max. 1 <sup>1</sup> / <sub>4</sub> " (Min. 2.5 cm / Max. 3.2 cm)
F	Min. 27 <sup>1</sup> / <sub>4</sub> " / Max. 27 <sup>3</sup> / <sub>8</sub> " (Min. 69.2 / Max. 69.5 cm)
G	Min. 23 <sup>1</sup> / <sub>2</sub> " (Min. 59.7 cm)
H	Min. 22" (Min. 55.9 cm)
I	Max. 9 <sup>1</sup> / <sub>2</sub> " (Max. 24.1 cm) - Junction Box
J	Min. 1 <sup>1</sup> / <sub>16</sub> " (1.75 cm) - Wooden cabinet thickness

### Product dimensions - double ovens (NV51K7770D, NV51K6650D)

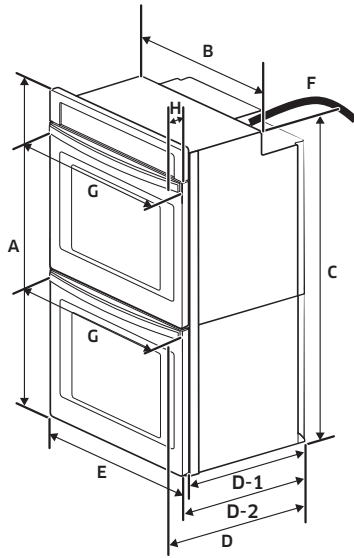


DIMENSION		
A	51 <sup>1</sup> / <sub>2</sub> " (130.7 cm)	Overall height
B	28 <sup>1</sup> / <sub>2</sub> " (72.4 cm)	Recessed width
C	49 <sup>7</sup> / <sub>8</sub> " (126.7 cm)	Recessed height
D	26 <sup>15</sup> / <sub>16</sub> " (68.5 cm)	Overall depth (with Handle)
D-1	23 <sup>1</sup> / <sub>8</sub> " (58.7 cm)	Recessed depth
D-2	24 <sup>3</sup> / <sub>8</sub> " (62.0 cm)	Overall depth
E	29 <sup>3</sup> / <sub>4</sub> " (75.6 cm)	Door width
F	67" (170 cm)	Conduit length
G	30" (76.0 cm)	Overall width (Handle width)
H	2 <sup>9</sup> / <sub>16</sub> " (6.5 cm)	Handle depth

Preparation

# Preparation

## Product dimensions - double oven (NV51\*5\*\*\*D\*)

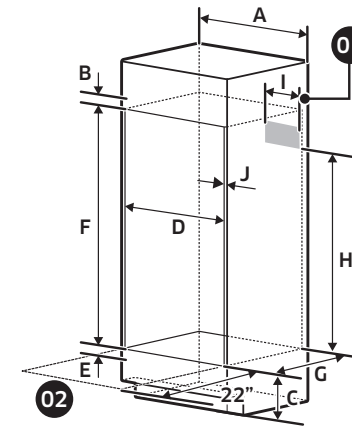


DIMENSION		
A	51 <sup>1</sup> / <sub>2</sub> " (130.7 cm)	Overall height
B	28 <sup>1</sup> / <sub>2</sub> " (72.4 cm)	Recessed width
C	49 <sup>7</sup> / <sub>8</sub> " (126.7 cm)	Recessed height
D	26 <sup>5</sup> / <sub>8</sub> " (67.6 cm)	Overall depth (with Handle)
D-1	23 <sup>1</sup> / <sub>8</sub> " (58.7 cm)	Recessed depth
D-2	24 <sup>3</sup> / <sub>8</sub> " (62.0 cm)	Overall depth
E	29 <sup>3</sup> / <sub>4</sub> " (75.6 cm)	Overall width (Door width)
F	67" (170 cm)	Conduit length
G	28 <sup>9</sup> / <sub>16</sub> " (72.5 cm)	Handle width
H	2 <sup>1</sup> / <sub>4</sub> " (5.7 cm)	Handle depth

## Cabinet dimensions - double ovens

### Double Ovens Installed in Cabinet

- 01 Junction Box
- 02 Allow a minimum of 22" for clearance to adjacent corners, drawers, walls, etc. when door is open



DIMENSION	
A	30" (76.2 cm)
B	Min. 1 <sup>3</sup> / <sub>16</sub> " (3.0 cm)
C	12" (30.5 cm)
D	Min. 28 <sup>1</sup> / <sub>2</sub> " / Max. 28 <sup>5</sup> / <sub>8</sub> " (Min. 72.4 cm / Max. 72.7 cm)
E	Min. 1" / Max. 1 <sup>1</sup> / <sub>4</sub> " (Min. 2.5 cm / Max. 3.2 cm)
F	50 <sup>1</sup> / <sub>4</sub> " (127.6 cm)
G	Min. 23 <sup>1</sup> / <sub>2</sub> " (Min. 59.7 cm)
H	Min 47" (Min. 119.4 cm)
I	Max. 9 <sup>1</sup> / <sub>2</sub> " (Max. 24.1 cm) - Junction Box
J	Min. 1 <sup>1</sup> / <sub>16</sub> " (1.75 cm) - Wooden cabinet thickness

If codes permit and a separate ground wire is used, it is recommended that a qualified electrical installer determine that the ground path and the wire gauge are in accordance with local codes.

Check with a qualified electrical installer if you are not sure the oven is properly grounded.

This oven must be connected to a grounded-metal permanent wiring system. Be sure that the electrical connection and wire size are adequate and in conformance with the National Electrical Code, ANSI/NFPA 70-latest edition or CSA Standards C22.

1-94, Canadian Electrical Code, Part 1 and C22.2 No. O-M91-latest edition, and all local codes and ordinances.

A copy of the above code standards can be obtained from:

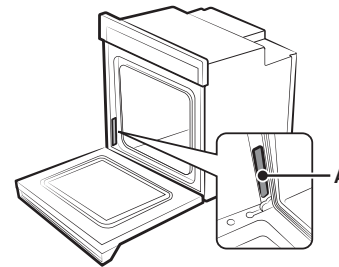
National Fire Protection Association  
1 Batterymarch Park  
Quincy, MA 02169-7471

CSA International  
8501 East Pleasant Valley Road  
Cleveland, OH 44131-5575

## Electrical Connection

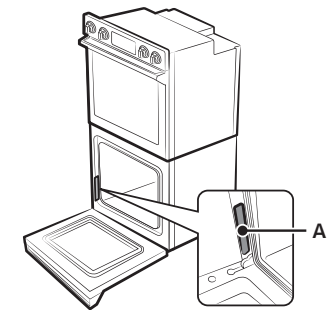
To properly install your oven, you must determine the type of electrical connection you will be using and follow the instructions provided in this manual.

- Oven must be connected to the proper electrical voltage and frequency as specified on the model/serial/rating plate. The model/serial/rating plate is located on the bottom left side of the trim. See the following illustrations.



**Single Oven**

A. Model/serial/rating plate



**Double Oven**

A. Model/serial/rating plate

- A circuit breaker is recommended.
- Use the chart below to determine the minimum recommended dedicated circuit protection.

KW Rating (240 V)	KW Rating (208 V)	Recommended Circuit Size (Dedicated)
≤4.8 KW	≤4.1 KW	20 Amp
4.9 KW - 7.5 KW	4.3 KW - 6.2 KW	30 Amp
7.3 KW - 9.6 KW	6.3 KW - 8.3 KW	40 Amp
9.7 KW - 12.0 KW	8.4 KW - 10.4 KW	50 Amp

- Connect directly to the circuit breaker box (or fused disconnect) through flexible, armored or nonmetallic sheathed, copper cable (with grounding wire). See "Electrical Connection" section.



## Preparation

- Flexible conduit from the oven should be connected directly to the junction box.
- Fuse both sides of the line.
- Do not cut the conduit. The length of conduit provided is for serviceability of the oven.
- A UL listed or CSA approved conduit connector must be provided.
- If the house has aluminum wiring, follow the procedure below:
  1. Connect a section of solid copper wire to the ends of the flexible conduit leads.
  2. Connect the aluminum wiring to the added section of copper wire using special connectors and/or tools designed and UL listed for joining copper to aluminum.

Follow the electrical connector manufacturer's recommended procedure. Aluminum/copper connection must conform with local codes and industry accepted wiring practices.

For power requirements for models NV51K6650D, NV51K6650S, NV51K7770D, NV51K7770S, NV51\*5\*\*\*D, and NV51\*5\*\*\*S, refer to the following table.

Model	240 VAC	208 VAC
	kW	kW
NV51K6650D	9.3	7.0
NV51K6650S	4.9	3.7
NV51K7770D	10.6	8.0
NV51K7770S	6.2	4.7
NV51*5***D	8.9	6.7
NV51*5***S	4.9	3.7

## Installation instructions

### Prepare built-in oven

#### **⚠ WARNING**

#### **Excessive Weight Hazard**

Use two or more people to move and install an oven.

Failure to do so can result in back or other injury.

1. Decide on the final location for the oven. Avoid drilling or cutting into house wiring during installation.
2. To avoid floor damage, set the oven on a cardboard prior to installation. Do not use handle or any portion of the front frame for lifting.
3. Remove the shipping materials and tape from the oven. Remember to keep the packing materials that may be needed for installation.
4. Remove the hardware package from inside of the bag containing literature.
5. Remove racks and other parts from inside the oven.
6. Move oven and cardboard close to the oven's final location.

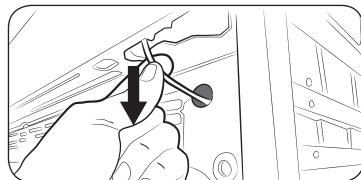
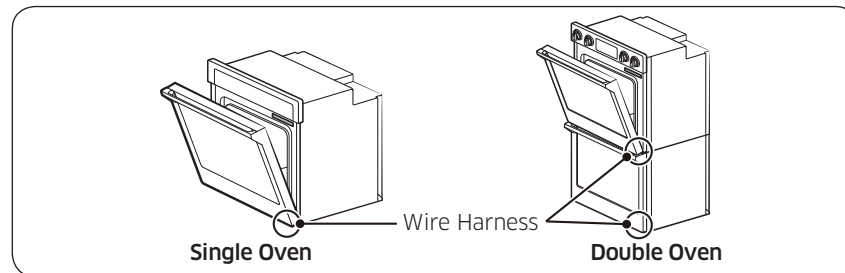
## Remove and replace oven door(s)

**IMPORTANT:** Use two hands to remove oven door. For double ovens, repeat the process for each door.

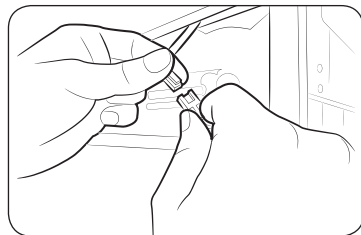
Prior to removing the oven door, prepare a surface where you will place it. This surface should be flat and covered with a soft blanket, or use the corner posts from your packaging material.

### Disconnect LED light wire harness (Only NV51K7770\*\* / NV51K6650\*\*)

Locate the LED light wire harness and disconnect it before removing the door.

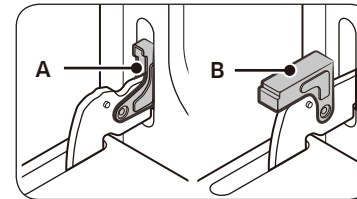


1. Carefully pull the wire to reveal the connector.

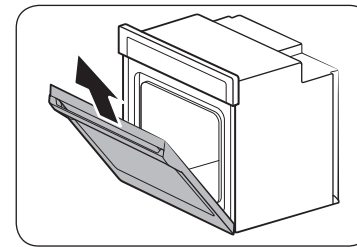


2. Disconnect the connector.

## Remove oven door(s)

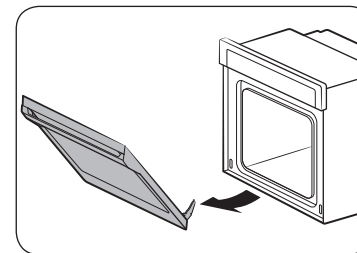


- A. Oven door hinge lock in locked position
- B. Oven door hinge lock in unlocked position



1. Open the oven door.
2. Locate the oven door hinge locks in both corners of the oven door, and then rotate the hinge locks toward the oven door to the unlocked position (see illustration B). If the door hinge lock is not rotated fully, the door will not remove properly.

3. Partially close the door to engage the door latch locks. The door will stop at this point.



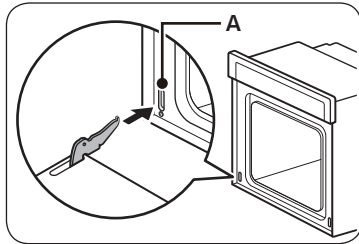
4. Using two hands, grasp the edges of the oven door. Lift and pull the oven door toward you and remove. You may need to gently shift door from side to side as you pull.
5. Set the oven door(s) aside on the prepared covered work surface with the oven door resting on its handle.
6. To continue with the oven installation, go to the "Positioning Oven Feet for Multiple Cabinet Cutout Heights" section.

# Installation instructions

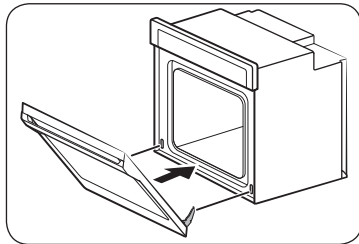
## Replace oven door(s)

### ⚠ CAUTION

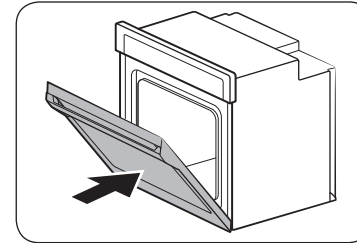
The door is very heavy. You may need help lifting the door high enough to slide it into the hinge slots. Do not lift the door by the handle.



A. Slot in the oven cavity for door hinge lock



1. Using two hands, grasp side edges of door at the midpoint. Face the oven cavity.
2. Locate the slots on each side of the oven cavity for the door hinge locks.
3. At a 45° angle, align door hinges with slots in the lower front of the oven cavity. Slowly insert door, making sure you maintain the 45° angle. You will know the door is engaged in the slot when you feel a slight drop.



4. Lower the oven door to the fully open position. If the oven door does not open to a full 90°, repeat steps 1 through 3.
5. Locate the oven door hinge locks in the corners of the oven door, and rotate the hinge locks toward the oven cavity to the locked position. See Step 1 (illustration A) in the “Remove Oven Door(s)” section for proper locked position.
6. Close the oven door.
7. When the hinges are properly installed and the door closed, there should be an even gap between the door and the control panel. If one side of the oven door is hanging lower than the other, the hinge on that side is not properly installed.
8. Connect Wire Harness.

## Electrical connection

### For Double Ovens

#### ⚠ WARNING

#### Electrical Shock Hazard

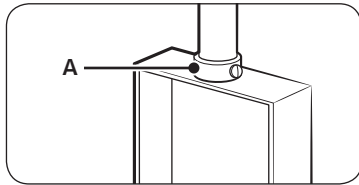
Disconnect power before servicing.

Use 8 gauge solid copper wire.

Make sure to ground the oven.

Failure to follow these instructions can result in death, fire, or electrical shock.

This oven is manufactured with a neutral (white) power supply wire and a cabinet-connected ground (green or bare) wire twisted together.



A. UL listed or CSA approved conduit connector

1. Disconnect power.
2. Feed the flexible conduit from the oven through the opening in the cabinet.
3. Remove junction box cover if it is present.
4. Install a UL listed or CSA approved conduit connector to the junction box.
5. Route the flexible conduit from the oven to the junction box through a UL listed or CSA approved conduit connector.
6. Tighten screws on conduit connector.
7. See "Electrical Connection Options Chart" to complete installation for your type of electrical connection.

### For Single Ovens

#### ⚠ WARNING

#### Electrical Shock Hazard

Disconnect power before servicing.

Use 8 gauge solid copper wire.

Electrically ground oven.

Failure to follow these instructions can result in death, fire, or electrical shock.

## Electrical Connection Options Chart

If your home has:	Go to section:
<p>4-wire</p>	4-Wire Cable from Home Power Supply
<p>3-wire</p>	3-Wire Cable from Home Power Supply

#### 📖 NOTE

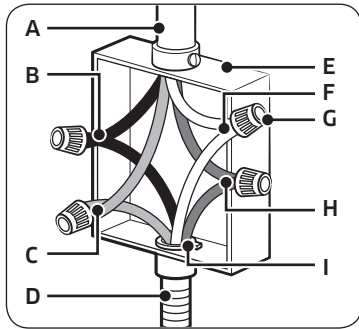
If the power connection is plugged in improperly, "bAd LinE" appears on the display.

Reconnect the power connection properly, and the message disappears.

# Installation instructions

## 4-Wire Cable from Home Power Supply

**IMPORTANT:** Use the 4-wire cable from home power supply in the U.S. where local codes do not allow grounding through neutral, New Branch circuit installations (1996 NEC), mobile homes and recreational vehicles, new construction and in Canada.

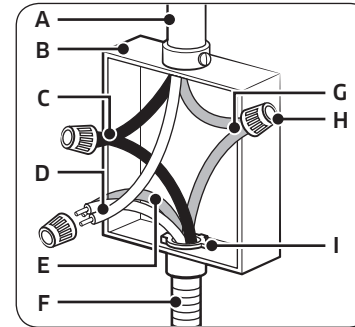


- A. Cable from home power supply
- B. Black wires (normally L1)
- C. Red wires (normally L2)
- D. 4-wire flexible conduit from oven
- E. Junction box
- F. White wires (normally N-neutral)
- G. UL listed wire connectors
- H. green wires (normally G-ground)
- I. UL listed or CSA approved conduit connector

1. Connect the 2 black wires (B) together using a UL listed wire connector.
2. Connect the 2 red wires (C) together using a UL listed wire connector.
3. Untwist white wire from green (or bare) ground wire coming from the oven.
4. Connect the 2 white wires (F) together using a UL listed wire connector.
5. Connect the green (or bare) ground wire (H) from the oven cable to the green (or bare) ground wire (in the junction box) using a UL listed wire connector.
6. Install junction box cover.

## 3-Wire Cable from Home Power Supply - U.S. Only

**IMPORTANT:** Use the 3-wire cable from home power supply where local codes permit a 3-wire connection.

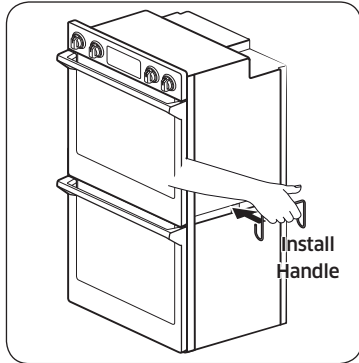


- A. Cable from home power supply
- B. Junction box
- C. Black wires (normally L1)
- D. White wires (normally N-neutral)
- E. green wires (normally G-ground)
- F. 4-wire flexible conduit from oven
- G. Red wires (normally L2)
- H. UL listed wire connectors
- I. UL listed or CSA approved conduit connector

1. Connect the 2 black wires (C) together using a UL listed wire connector.
2. Connect the 2 white wires (D) and the green (or bare) ground wire (of the oven cable) using a UL listed wire connector.
3. Connect the 2 red wires (G) together using a UL listed wire connector.
4. Install junction box cover.



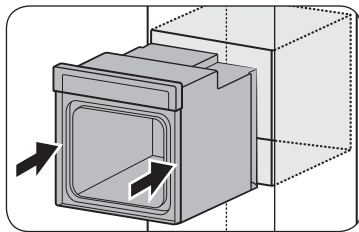
## Install oven



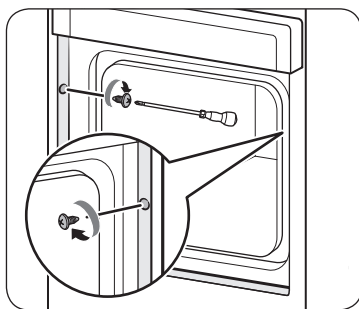
- Using 2 or more people, lift the oven partially into the cabinet cutout. Hang the install handle onto the side hook of the oven as shown below.

### NOTE

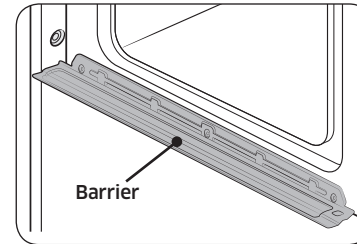
Carefully push against front oven frame.



- Push against the seal area of the front frame to push the oven into the cabinet until the back surface of the front frame touches the front wall of the cabinet.

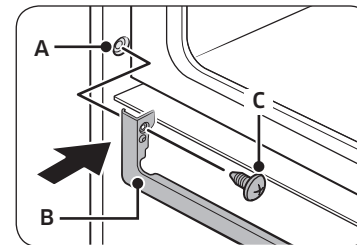


- Push oven completely into the cabinet and center the oven into the cabinet cutout.
- Remove the tape from front trims.
  - Securely fasten the oven to the cabinet using the screws provided.
  - Insert the screws through hole in trim aligning with hole in oven frame. Do not overtighten screws.



### WARNING

When inserting the oven, use caution not to deform or damage the barrier underneath.

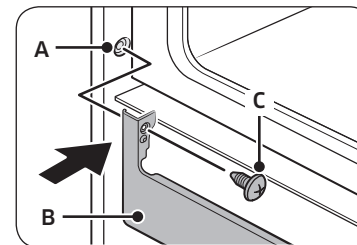


- A. Trim Left
- B. Trim Bottom
- C. Screw

- The bottom metal trim are shipped in the foam packing. To install the metal bottom trim, see following instructions.
  - Align tab of the bottom trim with a hole in the left side trim of the unit as shown. Repeat on the right side.
  - Using one screw on each side of the trim tab, fasten the trim securely to the oven.

### NOTE

The bottom trim piece is to cover any unwanted gaps.





- A. Trim Left
- B. Trim Bottom Large
- C. Screw

- If the cutout size is larger than  $\frac{3}{4}$  inches use of the wider bottom trim is recommended.

### NOTE

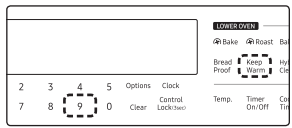

To select the bottom trim properly, measure the cutout between cabinet and oven. See the following chart.

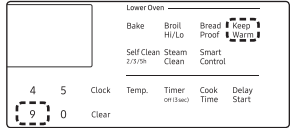
TYPE		
Cutout	0 - $\frac{3}{4}$ "	$\frac{3}{4}$ " - $2\frac{3}{4}$ "

# Self-diagnosis

## Temp sensor & Heater check

1. After connecting the power, check if the display works properly.
2. Remove all accessories (Gliding Rack, Flat-Rack, Smart Divider...etc.) from inside of the oven cavity.
3. You cannot proceed with self-diagnosis if the oven cavity is hot or the door is open.
  - In this case, "Hot or door" message appears on the display.
4. To start self-diagnosis, press both Hidden Keys simultaneously for 5 seconds.
  - Refer to the table below for the hidden keys for each model.

Model	NV51K6650**	NV51K7770**
Control panel		
Hidden Key	Keep Warm + "9"	UPPER + LOWER and touch "Install test" on display.

Model	NV51*5*****
Control panel	
Hidden Key	Keep Warm + "9"

5. If there is no error, 'PASS' appears on the display with an alert sound.
6. If there is an error, following message appears on the display with an alert sound.

Model	All models		
	Error code	Remark	
Feature	Upper Broil	H-2	Double/Single Oven
	Upper Bake	H-1	
	Lower Broil	H-4	Double Oven Only
	Lower Bake	H-3	

7. If an error occurs, contact a Samsung service center for further service.

### NOTE

If you see any other error messages that are not listed above, please contact a Samsung service center. call e.g. 1-800-SAMSUNG (726-7864)

# Memo

---

# Memo

---

# Memo

---





Scan the QR code\* or visit  
[www.samsung.com/spsn](http://www.samsung.com/spsn)  
to view our helpful  
How-to Videos and Live Shows

\*Requires reader to be installed on your smartphone

Scan this with your smartphone

Please be advised that the Samsung warranty does NOT cover service calls to explain product operation, correct improper installation, or perform normal cleaning or maintenance.

#### QUESTIONS OR COMMENTS?

COUNTRY	CALL	OR VISIT US ONLINE AT
U.S.A Consumer Electronics	1-800-SAMSUNG (726-7864)	<a href="http://www.samsung.com/us/support">www.samsung.com/us/support</a>
CANADA	1-800-SAMSUNG (726-7864)	<a href="http://www.samsung.com/ca/support">www.samsung.com/ca/support</a> (English) <a href="http://www.samsung.com/ca_fr/support">www.samsung.com/ca_fr/support</a> (French)



DG68-00862A-09

# Horno eléctrico empotrado en pared

## Manual de instalación

NV51K7770\*\* / NV51K6650\*\* / NV51\*5\*\*\*\*\*



**SAMSUNG**

## Contenido

<b>Información sobre seguridad</b>	<b>2</b>
Seguridad de los equipos relacionados	2
Transporte	2
<b>Preparación</b>	<b>4</b>
Lista de verificación	4
Preparación para instalar el horno	4
Requisitos de ubicación	5
Dimensiones del producto: hornos simples (NV51K7770S, NV51K6650S)	5
Dimensiones del producto: horno simple (NV51*5***S*)	6
Dimensiones del gabinete: hornos simples	6
Dimensiones del producto: hornos dobles (NV51K7770D, NV51K6650D)	7
Dimensiones del producto: horno doble (NV51*5***D*)	8
Dimensiones del gabinete: hornos dobles	8
<b>Instrucciones de instalación</b>	<b>10</b>
Preparar el horno empotrado	10
Cómo retirar y reemplazar la(s) puerta(s) del horno	11
Conexión eléctrica	13
Cómo instalar el horno	15
<b>Autodiagnóstico</b>	<b>16</b>
Sensor de temperatura y control del calentador	16

## Información sobre seguridad

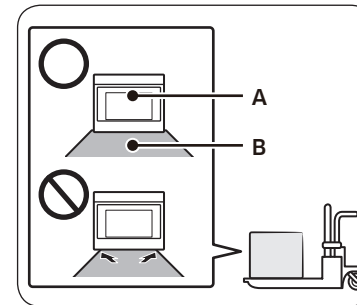
### Seguridad de los equipos relacionados

Retire toda la cinta y el empaque antes de usar el artefacto. Deseche el empaque luego de quitar el artefacto. Nunca deje que los niños jueguen con el material de empaque.

Nunca modifique o altere la construcción del artefacto. Por ejemplo, no quite paneles, portacables o tornillos.

### Transporte

Utilice el método de transporte que se ilustra a continuación a fin de evitar que se dañe la ventilación del horno.



- A. Parte delantera
- B. Palé

Sostenga la parte inferior del horno de ambos lados al desplazarlo hacia su ubicación de instalación. Deje la unidad en el palé de envío hasta que esté frente a la abertura del gabinete y esté listo para colocarlo en su lugar.

### ⚠ PELIGRO

#### PELIGRO DE ELECTROCUCIÓN

Para evitar el riesgo de electrocución, lesiones físicas o la muerte, verifique que el artefacto esté conectado a tierra correctamente de conformidad con los códigos locales o, en su ausencia, con el Código eléctrico nacional (NEC). Versión más reciente de ANSI/NFPA 70.

### ⚠ ADVERTENCIA

#### PELIGRO DURANTE EL TRASLADO

Este artefacto requiere de dos o más personas para manipularlo o trasladarlo a fin de evitar el riesgo de sufrir lesiones personales graves. Se recomienda el uso de dispositivos para el transporte del artefacto.

### **⚠ ADVERTENCIA**

- La información de este manual debe seguirse rigurosamente.
  - De lo contrario, podrían producirse incendios o descargas eléctricas causantes de daños a la propiedad, lesiones personales, o la muerte.
- Importante: Conserve este manual de instalación para que pueda ser consultado por el inspector del servicio eléctrico de su localidad.
- Instalación adecuada: Asegúrese de que el artefacto se encuentre correctamente instalado y conectado a tierra por un técnico calificado.
- Las nuevas construcciones de circuitos ramales (1996 NEC), casas rodantes, vehículos recreativos e instalaciones donde los códigos locales prohíben la conexión a tierra mediante el conductor neutro, requieren conexiones de circuitos ramales de 4 conductores.
- Si el cableado de aluminio de la casa no se conecta adecuadamente a los cables de cobre podría existir riesgo de electrocución o incendio. Solo utilice conectores diseñados para unir cobre con aluminio y siga el procedimiento recomendado por el fabricante del conector.
- Se deben utilizar tornillos de montaje.
  - De lo contrario, el horno podría caerse del gabinete y ocasionar lesiones graves.

### **⚠ PRECAUCIÓN**

- Asegúrese de que los gabinetes y los revestimientos de las paredes alrededor del horno puedan soportar las temperaturas (hasta 194 °F [90 °C]) que este genera.
  - Se podrían producir alteraciones de color, deslaminación o derretimiento.
- NO quite los separadores de las paredes laterales del horno empotrado.
  - Estos centran el horno en el espacio provisto. El horno debe estar centrado para evitar la acumulación excesiva de calor que puede provocar daños o incendios.

### **⚠ ADVERTENCIA**

- La información de este manual debe seguirse rigurosamente.
  - De lo contrario, podrían producirse incendios o descargas eléctricas causantes de daños a la propiedad, lesiones personales, o la muerte.

### **NOTA IMPORTANTE**

La instalación adecuada es responsabilidad del instalador y la falla del producto debido a una instalación inadecuada no está cubierta por la Garantía.

### **⚠ ADVERTENCIA**

- NO coloque ningún peso sobre la puerta del horno. Nunca nadie se debe trepar, sentar, parar o colgar de la puerta del horno.
  - El horno podría inclinarse y producir lesiones ya sea por los alimentos calientes o el mismo horno.

### **⚠ ADVERTENCIA**

- Cuando se realizan las conexiones eléctricas, la alimentación eléctrica debe estar cortada.
  - De lo contrario, se podrían producir lesiones personales graves, descargas eléctricas o la muerte.

### **NOTA IMPORTANTE**

- Cumpla todos los códigos y ordenanzas exigidos por las autoridades pertinentes. Este electrodoméstico debe conectarse a tierra correctamente.
- Mantenga los conductos de ventilación del horno libres de obstrucciones. La abertura de ventilación del horno está ubicada en la parte inferior del horno. Esta área podría calentarse durante el uso del horno. Nunca tapone esta abertura de ventilación ni coloque elementos de plástico o sensibles al calor frente a dicha abertura.

# Preparación

## Lista de verificación

Use esta lista de verificación para comprobar que ha completado todos los pasos del proceso de instalación. Esto puede ayudarlo a evitar errores.

1. Antes de instalar el horno, asegúrese de verificar que las dimensiones del gabinete sean las adecuadas para la unidad y que las conexiones eléctricas necesarias estén presentes.
2. Consulte el manual de instalación para ver contenido sobre Seguridad, Dimensiones del gabinete, Desempaque, Instalación eléctrica, Prueba de la instalación y Servicio al Cliente.
3. Para levantar el horno, cuelgue la manija de instalación en el gancho lateral de la unidad.
4. Coloque el horno frente a la abertura del gabinete, dejando el empaque inferior en la unidad para evitar dañar el piso.
5. Levante la unidad con ayuda de otras personas y colóquela directamente en el recorte del gabinete cuidando de no agarrarse los dedos o rasparse las manos o los brazos. Asegúrese de que el conducto eléctrico alcance bien el punto de conexión.
6. Deslice la unidad hasta el lugar deseado asegurándose de ir llevando el conducto eléctrico correctamente.
7. Ajuste el horno a la abertura del gabinete con los tornillos provistos (usando un destornillador Phillips).
8. Consulte las instrucciones de instalación completas y siga el resto de los procedimientos indicados, incluida la prueba de funcionamiento.
9. Junto con el horno, se suministran las instrucciones del producto y los accesorios (envueltos o en caja).
10. **INSTALADOR:** Las instrucciones y los accesorios deben quedar en manos del cliente.
11. Cuelgue la manija de instalación en el gancho lateral del horno.

## Preparación para instalar el horno



Destornillador Phillips

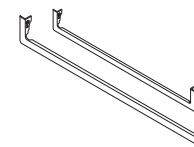


Taladro

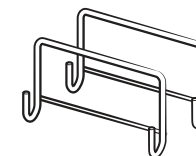
## Preparación para instalar el horno



6 tornillos (M4 L16)  
6 tornillos de montaje para  
madera (4 necesarios para la  
instalación y 2 adicionales)



30" (76.2 cm)  
Borde inferior de metal



Manija de instalación  
(solo para horno doble)

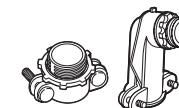
## Materiales necesarios



Caja de empalmes



Conectores de torsión



Conector de conducto de 3/4"

## Requisitos de ubicación

**IMPORTANTE:** Cumpla todos los códigos y ordenanzas exigidos por las autoridades pertinentes.

- Se deben utilizar las dimensiones de abertura de los gabinetes que se muestran. Las dimensiones provistas ofrecen una separación mínima con el horno.
- El área de instalación empotrada debe proveer un recinto cerrado alrededor de la porción empotrada del horno.
- Se requiere un suministro eléctrico con conexión a tierra. Consulte la sección "Requisitos eléctricos".
- Cuando el horno está instalado en un gabinete de pared, la caja de empalmes del suministro eléctrico debe ubicarse como máximo 3" (7.6 cm) por debajo de la superficie de apoyo. Debe haber realizado un orificio de 1" (2.5 cm) de diámetro como mínimo en la esquina trasera derecha o izquierda de la superficie de apoyo para pasar el cable del artefacto y conectarlo a la caja de empalmes.

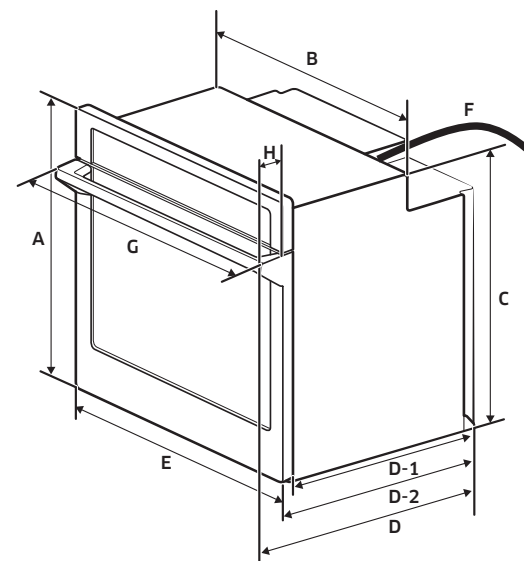
### NOTA

Para instalaciones bajo mesada, se recomienda que la caja de empalmes se encuentre en el gabinete adyacente derecho o izquierdo. Si ubicará la caja de empalmes en la pared trasera detrás del horno, se recomienda que se empotre y coloque en la parte superior derecha del gabinete.

- La superficie de apoyo del horno debe ser sólida, nivelada y estar a nivel con la parte inferior del recorte del gabinete.
- El piso debe ser capaz de soportar un horno simple de 199 lb (90 kg).
- El piso debe ser capaz de soportar un horno simple de 331 lb (150 kg).

**IMPORTANTE:** Para evitar dañar sus gabinetes, verifique con el constructor o distribuidor de gabinetes para asegurarse de que los materiales utilizados no se descoloren, se descascaren o puedan sufrir otros daños. Este horno ha sido diseñado de acuerdo con los requisitos de UL y CSA International, y cumple con las temperaturas para gabinetes de madera máximas permitidas de 194 °F (90 °C).

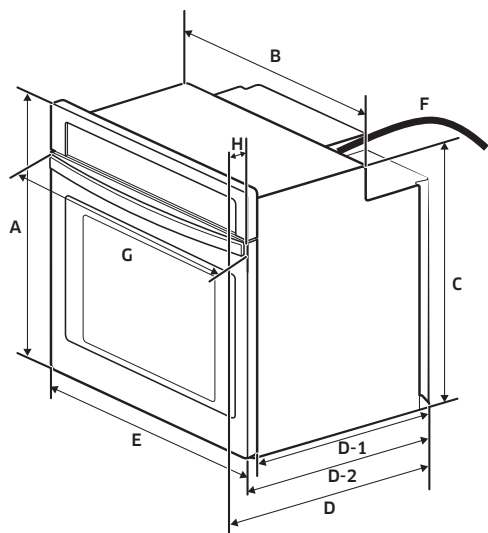
## Dimensiones del producto: hornos simples (NV51K7770S, NV51K6650S)



DIMENSIONES		
A	28 <sup>13</sup> / <sub>16</sub> " (73.1 cm)	Altura total
B	28 <sup>1</sup> / <sub>2</sub> " (72.4 cm)	Ancho empotrado
C	27 <sup>3</sup> / <sub>16</sub> " (69.1 cm)	Altura empotrada
D	26 <sup>15</sup> / <sub>16</sub> " (68.5 cm)	Profundidad total (con manija)
D-1	23 <sup>1</sup> / <sub>8</sub> " (58.7 cm)	Profundidad empotrada
D-2	24 <sup>3</sup> / <sub>8</sub> " (62.0 cm)	Profundidad total
E	29 <sup>3</sup> / <sub>4</sub> " (75.6 cm)	Ancho de la puerta
F	47 <sup>1</sup> / <sub>4</sub> " (120 cm)	Longitud del conducto
G	30" (76.0 cm)	Ancho total (ancho manija)
H	2 <sup>9</sup> / <sub>16</sub> " (6.5 cm)	Profundidad manija

# Preparación

## Dimensiones del producto: horno simple (NV51\*5\*\*\*S\*)

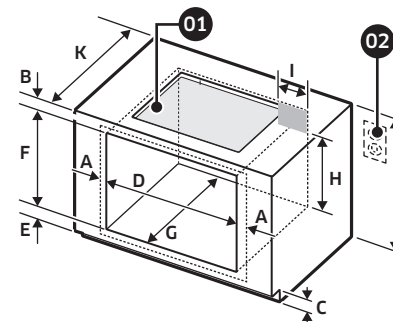


DIMENSIONES		
A	28 <sup>13</sup> / <sub>16</sub> " (73.1 cm)	Altura total
B	28 <sup>1</sup> / <sub>2</sub> " (72.4 cm)	Ancho empotrado
C	27 <sup>3</sup> / <sub>16</sub> " (69.1 cm)	Altura empotrada
D	26 <sup>5</sup> / <sub>8</sub> " (67.6 cm)	Profundidad total (con manija)
D-1	23 <sup>1</sup> / <sub>8</sub> " (58.7 cm)	Profundidad empotrada
D-2	24 <sup>3</sup> / <sub>8</sub> " (62.0 cm)	Profundidad total
E	29 <sup>3</sup> / <sub>4</sub> " (75.6 cm)	Ancho total (Ancho de la puerta)
F	47 <sup>1</sup> / <sub>4</sub> " (120 cm)	Longitud del conducto
G	28 <sup>9</sup> / <sub>16</sub> " (72.5 cm)	Ancho manija
H	2 <sup>1</sup> / <sub>4</sub> " (5.7 cm)	Profundidad manija

## Dimensiones del gabinete: hornos simples

### Horno simple bajo mesada

- 01 Se pueden instalar cubiertas a gas o eléctricas sobre este horno. Consulte las instrucciones de instalación de la cubierta para ver el tamaño del recorte. Consulte la etiqueta en la parte superior de los modelos de cubierta aprobados.
- 02 Las conexiones de gas y electricidad para la cubierta de gas deben estar ubicadas a la derecha en un lugar adyacente accesible.

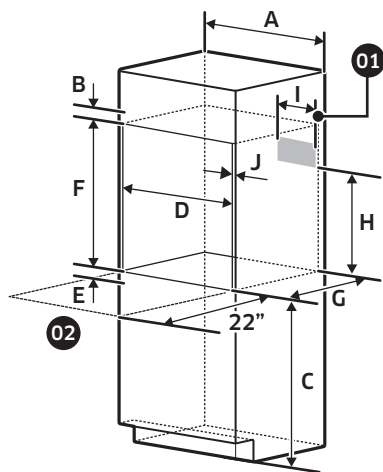


DIMENSIONES	
A	Mín. 1 <sup>1</sup> / <sub>16</sub> " (1.75 cm) - Superposición de los bordes laterales de la abertura recortada
B	Mín. 4 <sup>1</sup> / <sub>8</sub> " (10.5 cm)
C	3 <sup>5</sup> / <sub>8</sub> " (9.1 cm)
D	Mín. 28 <sup>1</sup> / <sub>2</sub> " / Máx. 28 <sup>5</sup> / <sub>8</sub> " (Mín. 72.4 cm / Máx. 72.7 cm)
E	Mín. 1" / Máx. 1 <sup>1</sup> / <sub>4</sub> " (Mín. 2.5 cm / Máx. 3.2 cm)
F	Mín. 27 <sup>1</sup> / <sub>4</sub> " / Máx. 27 <sup>3</sup> / <sub>8</sub> " (Mín. 69.2 cm / Máx. 69.5 cm)
G	Mín. 23 <sup>1</sup> / <sub>2</sub> " (Mín. 59.7 cm)
H	Mín 22" (Mín 55.9 cm)
I	Máx. 9 <sup>1</sup> / <sub>2</sub> " (Máx. 24.1 cm) - Caja de empalmes
J	36 <sup>3</sup> / <sub>8</sub> " (92.3 cm) - Altura de la mesada
K	25" (63.5 cm)



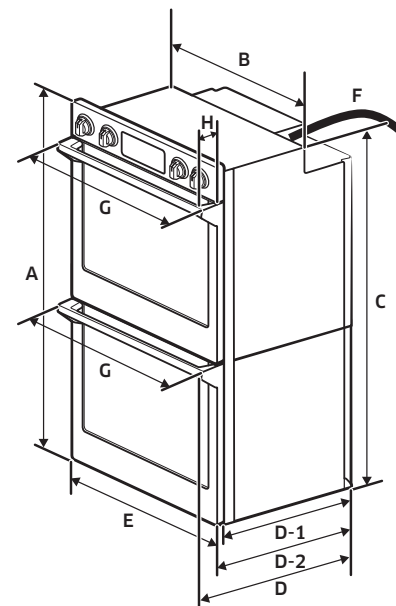
### Horno simple montado en la pared

- 01 Caja de empalmes
- 02 Debe haber 22" de separación como mínimo hasta las esquinas. cajones. paredes. etc. cuando la puerta está abierta.



DIMENSIONES	
A	30" (76.2 cm)
B	Mín. 1 <sup>3</sup> / <sub>8</sub> " (3.5 cm)
C	Mín. 31" (Mín. 78.7 cm)
D	Mín. 28 <sup>1</sup> / <sub>2</sub> " / Máx. 28 <sup>5</sup> / <sub>8</sub> " (Mín. 72.4 cm / Máx. 72.7 cm)
E	Mín. 1" / Máx. 1 <sup>1</sup> / <sub>4</sub> " (Mín. 2.5 cm / Máx. 3.2 cm)
F	Mín. 27 <sup>1</sup> / <sub>4</sub> " / Máx. 27 <sup>3</sup> / <sub>8</sub> " (Mín. 69.2 / Máx. 69.5 cm)
G	Mín. 23 <sup>1</sup> / <sub>2</sub> " (Mín. 59.7 cm)
H	Mín. 22" (Mín. 55.9 cm)
I	Máx. 9 <sup>1</sup> / <sub>2</sub> " (Máx. 24.1 cm) - Caja de empalmes
J	Mín. 1 <sup>1</sup> / <sub>16</sub> " (1.75 cm) - Grosor del gabinete de madera

### Dimensiones del producto: hornos dobles (NV51K7770D, NV51K6650D)

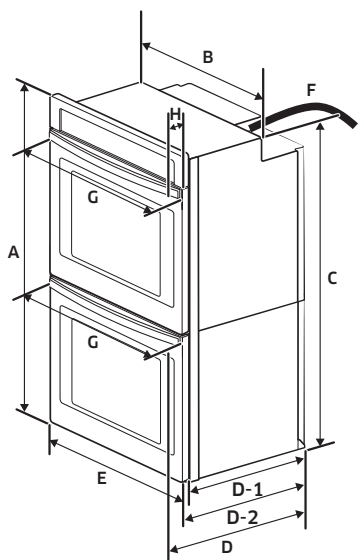


DIMENSIONES		
A	51 <sup>1</sup> / <sub>2</sub> " (130.7 cm)	Altura total
B	28 <sup>1</sup> / <sub>2</sub> " (72.4 cm)	Ancho empotrado
C	49 <sup>7</sup> / <sub>8</sub> " (126.7 cm)	Altura empotrada
D	26 <sup>15</sup> / <sub>16</sub> " (68.5 cm)	Profundidad total (con manija)
D-1	23 <sup>3</sup> / <sub>8</sub> " (58.7 cm)	Profundidad empotrada
D-2	24 <sup>3</sup> / <sub>8</sub> " (62.0 cm)	Profundidad total
E	29 <sup>3</sup> / <sub>4</sub> " (75.6 cm)	Ancho de la puerta
F	67" (170 cm)	Longitud del conducto
G	30" (76.0 cm)	Ancho total (ancho manija)
H	2 <sup>9</sup> / <sub>16</sub> " (6.5 cm)	Profundidad manija



# Preparación

## Dimensiones del producto: horno doble (NV51\*5\*\*\*D\*)

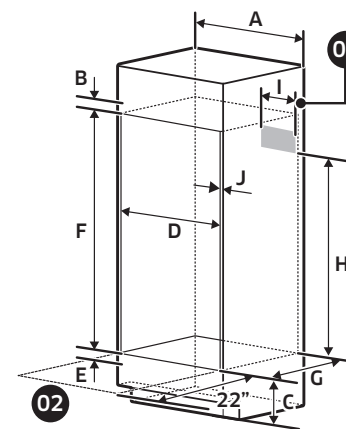


DIMENSIONES		
A	51 <sup>1</sup> / <sub>2</sub> " (130.7 cm)	Altura total
B	28 <sup>1</sup> / <sub>2</sub> " (72.4 cm)	Ancho empotrado
C	49 <sup>7</sup> / <sub>8</sub> " (126.7 cm)	Altura empotrada
D	26 <sup>5</sup> / <sub>8</sub> " (67.6 cm)	Profundidad total (con manija)
D-1	23 <sup>1</sup> / <sub>8</sub> " (58.7 cm)	Profundidad empotrada
D-2	24 <sup>3</sup> / <sub>8</sub> " (62.0 cm)	Profundidad total
E	29 <sup>3</sup> / <sub>4</sub> " (75.6 cm)	Ancho total (Ancho de la puerta)
F	67" (170 cm)	Longitud del conducto
G	28 <sup>9</sup> / <sub>16</sub> " (72.5 cm)	Ancho manija
H	2 <sup>1</sup> / <sub>4</sub> " (5.7 cm)	Profundidad manija

## Dimensiones del gabinete: hornos dobles

### Hornos dobles instalados en gabinete

- 01 Caja de empalmes
- 02 Debe haber 22" de separación como mínimo hasta las esquinas, cajones, paredes, etc. cuando la puerta está abierta.



DIMENSIONES	
A	30" (76.2 cm)
B	Mín. 1 <sup>3</sup> / <sub>16</sub> " (3.0 cm)
C	12" (30.5 cm)
D	Mín. 28 <sup>1</sup> / <sub>2</sub> " / Máx. 28 <sup>5</sup> / <sub>8</sub> " (Mín. 72.4 cm / Máx. 72.7 cm)
E	Mín. 1" / Máx. 1 <sup>1</sup> / <sub>4</sub> " (Mín. 2.5 cm / Máx. 3.2 cm)
F	50 <sup>1</sup> / <sub>4</sub> " (127.6 cm)
G	Mín. 23 <sup>1</sup> / <sub>2</sub> " (Mín. 59.7 cm)
H	Mín. 47" (Mín. 119.4 cm)
I	Máx. 9 <sup>1</sup> / <sub>2</sub> " (Máx. 24.1 cm) - Caja de empalmes
J	Mín. 1 <sup>1</sup> / <sub>16</sub> " (1.75 cm) - Grosor del gabinete de madera

Si los códigos lo permiten y se emplea un cable a tierra separado, es recomendable que un electricista calificado determine si la trayectoria a tierra y el calibre del cable cumplen con los códigos locales.

Si no está seguro si la conexión a tierra del horno está correctamente realizada, consulte a un electricista calificado.

Este horno debe conectarse a un sistema de conexión a tierra permanente de metal. Asegúrese de que la conexión eléctrica y el tamaño del cable sean adecuados y que cumplan con la versión más reciente del Código eléctrico nacional ANSI/NFPA 70 o la norma C22 de CSA,

1-94, la versión más reciente del Código eléctrico de Canadá, Sección 1 y C22.2 No. 0-M91, y todos los códigos y ordenanzas locales.

Se puede obtener una copia de las normas mencionadas arriba en:

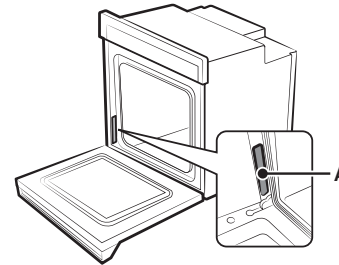
National Fire Protection Association  
1 Batterymarch Park  
Quincy, MA 02169-7471

CSA International  
8501 East Pleasant Valley Road  
Cleveland, OH 44131-5575

### Conexión eléctrica

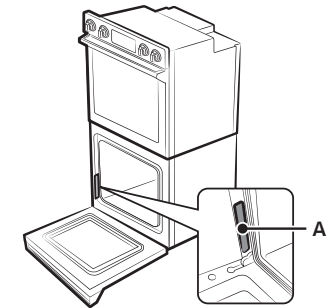
Para instalar correctamente el horno, se debe determinar el tipo de conexión eléctrica que se va a usar y seguir las instrucciones proporcionadas en este manual.

- El horno debe conectarse al voltaje y la frecuencia adecuados según se establece en la placa de modelo/serie/especificaciones. La placa de especificaciones del modelo/serie se encuentra en el lado inferior izquierdo del borde. Vea las siguientes ilustraciones.



**Horno simple**

A. Placa de modelo/serie/especificaciones



**Horno doble**

A. Placa de modelo/serie/especificaciones

- Se recomienda el uso de un disyuntor.
- Use la siguiente tabla para determinar la protección mínima recomendada dedicada al circuito.

Régimen en KW (240 V)	Régimen en KW (208 V)	Tamaño recomendado del circuito (dedicado)
≤4.8 KW	≤4.1 KW	20 Amp
4.9 KW - 7.5 KW	4.3 KW - 6.2 KW	30 Amp
7.3 KW - 9.6 KW	6.3 KW - 8.3 KW	40 Amp
9.7 KW - 12.0 KW	8.4 KW - 10.4 KW	50 Amp

- Conecte directamente a la caja del disyuntor del circuito (o de desconexión con fusibles) a través de un cable de cobre flexible, blindado o con revestimiento no metálico. Consulte la sección "Conexión eléctrica".
- El conducto flexible del horno debe conectarse directamente a la caja de empalmes.

## Preparación

- Coloque fusibles en ambos lados de la línea.
- No corte el conducto. La longitud del conducto provisto con el horno permite realizar tareas de servicio.
- Se debe suministrar un conector de conductos aprobado por UL o CSA.
- Si la casa tiene un cableado de aluminio, siga el procedimiento a continuación:
  1. Conecte un tramo de cable de cobre macizo a las tomas de conexión del conducto flexible.
  2. Conecte el cableado de aluminio a la sección añadida de cable de cobre utilizando conectores especiales y/o herramientas diseñadas para unir cobre con aluminio aprobadas por UL.

Siga el procedimiento recomendado por el fabricante del conector eléctrico. La conexión entre aluminio y cobre debe cumplir con los códigos locales y las prácticas de cableado aceptadas por la industria.

Para conocer los requisitos eléctricos de los modelos NV51K6650D, NV51K6650S, NV51K7770D, NV51K7770S, NV51\*5\*\*\*D y NV51\*5\*\*\*S, consulte la siguiente tabla.

Modelo	240 VCA	208 VCA
	kW	kW
NV51K6650D	9.3	7.0
NV51K6650S	4.9	3.7
NV51K7770D	10.6	8.0
NV51K7770S	6.2	4.7
NV51*5***D	8.9	6.7
NV51*5***S	4.9	3.7

## Instrucciones de instalación

### Preparar el horno empotrado

#### **⚠ ADVERTENCIA**

#### **Peligro por peso excesivo**

Hacen falta dos o más personas para trasladar e instalar el horno.

De lo contrario, podría dañarse la espalda o sufrir otras lesiones.

1. Decida la ubicación final del horno. Evite perforar o cortar el cableado de la casa durante la instalación.
2. Para evitar dañar el piso, coloque el horno sobre un cartón previo a la instalación. No utilice la manija ni ninguna parte del marco frontal del horno para levantarlo.
3. Retire los materiales de envío y la cinta del horno. Recuerde conservar los materiales de empaque necesarios para la instalación.
4. Quite el paquete de componentes que se encuentra en la bolsa con las instrucciones.
5. Retire los estantes y demás piezas del interior del horno.
6. Desplace el horno y el cartón cerca de la ubicación final del horno.

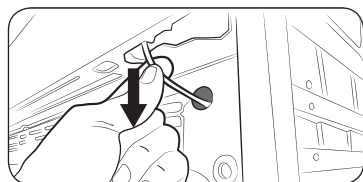
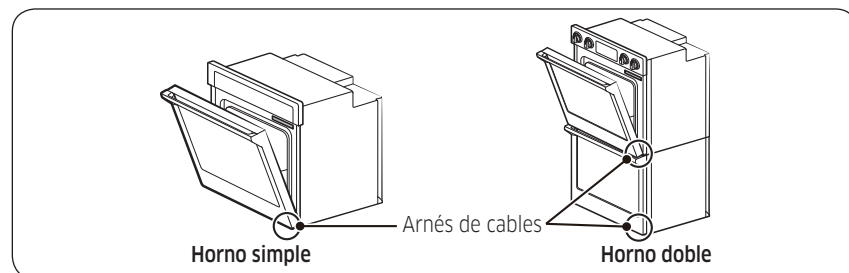
## Cómo retirar y reemplazar la(s) puerta(s) del horno

**IMPORTANTE:** Retire la puerta del horno con las dos manos. Si el horno es doble, repita el proceso con cada puerta.

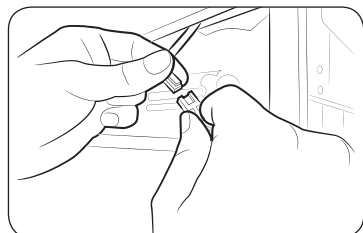
Antes de retirar la puerta del horno, prepare la superficie donde la colocará. Esta superficie debe ser plana y recubierta de una manta suave o puede usar los postes de esquina del material de empaque.

### Desconexión del arnés de cables de la luz LED (Solo NV51K7770\*\* / NV51K6650\*\*)

Ubique el arnés de cables de la luz LED y desconéctelo antes de retirar la puerta.

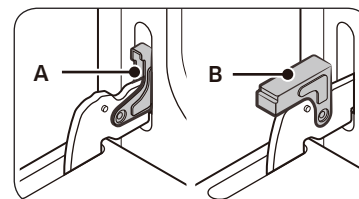


1. Jale cuidadosamente el cable hasta que aparezca el conector.

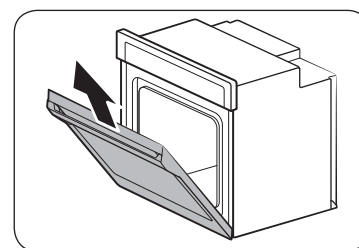


2. Desconéctelo.

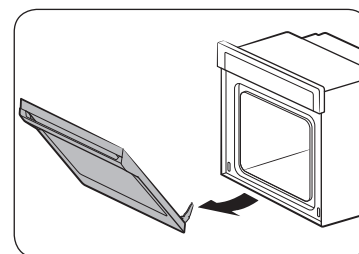
## Cómo retirar la(s) puerta(s) del horno



- A. Traba de la bisagra de la puerta del horno en posición trabada
- B. Traba de la bisagra de la puerta del horno en posición destrabada



1. Abra la puerta del horno.
2. Ubique la traba de la bisagra de la puerta del horno en ambas esquinas de la puerta del horno y luego rótelas hacia la puerta del horno para destrabarlas (observe la ilustración B). Si la traba de la bisagra de la puerta no se rota completamente, la puerta no podrá retirarse adecuadamente.



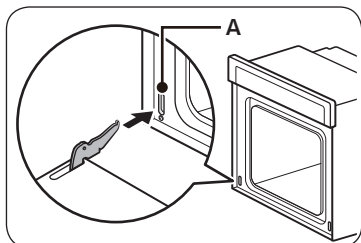
3. Cierre parcialmente la puerta para conectar las trabas de la puerta. En este punto, la puerta se detendrá.
4. Sujete los bordes de la puerta del horno con las dos manos. Levante y jale en su dirección la puerta del horno para retirarla. Quizá deba mover cuidadosamente la puerta de lado a lado mientras jala.
5. Coloque la(s) puerta(s) del horno a un lado sobre la superficie de trabajo cubierta preparada de forma que la puerta del horno se apoye sobre su manija.
6. Para seguir con la instalación del horno, vaya a la sección "Colocación de las patas del horno para distintas alturas de recortes de gabinetes".

# Instrucciones de instalación

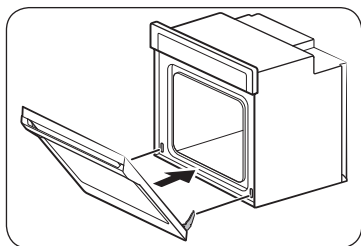
## Cómo reemplazar la(s) puerta(s) del horno

### ⚠ PRECAUCIÓN

La puerta es muy pesada. Quizá necesite ayuda para levantar la puerta a la altura necesaria para deslizarla en las ranuras de la bisagra. No levante la puerta jalando de la manija.

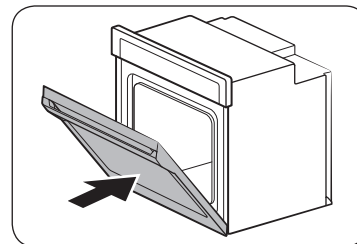


A. Ranura en la cavidad del horno para la traba de la bisagra de la puerta



1. Sujete los bordes de la puerta del horno al medio con las dos manos. Colóquese frente a la cavidad del horno.
2. Ubique las ranuras en cada lado de la cavidad del horno para las trabas de las bisagras de la puerta.

3. Alinee las bisagras de la puerta con las ranuras en la parte inferior frontal de la cavidad del horno a 45°. Introduzca la puerta lentamente, asegurándose de mantener la posición a 45°. Cuando la puerta se meta en la ranura, sentirá un leve descenso.



4. Baje la puerta del horno abriéndola por completo. Si la puerta no abre 90°, vuelva a repetir los pasos 1 a 3.
5. Ubique la traba de la bisagra de la puerta del horno en ambas esquinas de la puerta del horno y luego rótelas hacia la cavidad del horno para trabarlas. Consulte el Paso 1 (ilustración A) en la sección "Cómo retirar la(s) puerta(s) del horno" para ver la posición trabada correspondiente.
6. Cierre la puerta del horno.
7. Cuando las bisagras están instaladas correctamente y la puerta se cierra, debería haber un espacio uniforme entre la puerta y el panel de control. Si un lado de la puerta del horno está más bajo que el otro, la bisagra de ese lado no está bien instalada.
8. Conecte el arnés de cables.

## Conexión eléctrica

### Para hornos dobles

#### ⚠ ADVERTENCIA

#### Peligro de electrocución

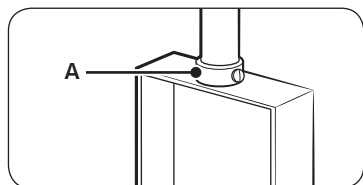
Desconecte la alimentación antes de realizar tareas de mantenimiento o reparación.

Utilice un cable de cobre macizo calibre 8.

Asegúrese de conectar el horno a tierra.

No seguir estas instrucciones puede provocar la muerte, un incendio o electrocución.

Este horno está fabricado con un cable de suministro eléctrico neutro (blanco) y un cable a tierra (verde o desnudo) conectados al gabinete trenzados juntos.



A. Conector de conductos aprobado por UL o CSA

1. Desconecte el suministro eléctrico.
2. Pase el conducto flexible del horno por la abertura del gabinete.
3. Quite la tapa de la caja de empalmes, si la tuviere.
4. Instale un conector de conductos aprobado por UL o CSA en la caja de empalmes.
5. Lleve el conducto flexible desde el horno hasta la caja de empalmes a través de un conector de conductos aprobado por UL o CSA.
6. Apriete los tornillos en el conector de conductos.
7. Consulte la "Tabla de opciones de conexión eléctrica" para completar la instalación de su tipo de conexión eléctrica.

### Para hornos simples

#### ⚠ ADVERTENCIA

#### Peligro de electrocución

Desconecte la alimentación antes de realizar tareas de mantenimiento o reparación.

Utilice un cable de cobre macizo calibre 8.

Horno con conexión eléctrica a tierra.

No seguir estas instrucciones puede provocar la muerte, un incendio o electrocución.

## Tabla de opciones de conexión eléctrica

Si en su casa tiene:	Vaya a la sección:
<p>4 conductores</p>	<p>Cable de 4 conductores del suministro eléctrico hogareño</p>
<p>3 conductores</p>	<p>Cable de 3 conductores del suministro eléctrico hogareño</p>

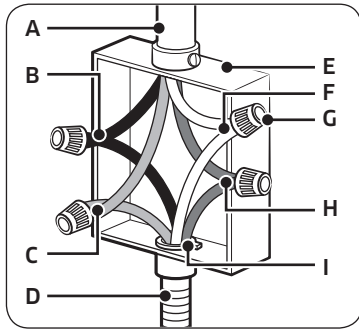
#### 📖 NOTA

Si la conexión de alimentación está mal realizada, aparece el mensaje "bAd LinE" (Línea incorrecta) en la pantalla. Vuelva a realizar la conexión de alimentación correctamente y el mensaje desaparecerá.

# Instrucciones de instalación

## Cable de 4 conductores del suministro eléctrico hogareño

**IMPORTANTE:** Utilice el cable de 4 conductores del suministro eléctrico hogareño en EE. UU. donde los códigos locales no permiten la conexión a tierra mediante el conductor neutro, nuevas construcciones de circuitos ramales (1996 NEC), casas rodantes, vehículos recreativos, nuevas construcciones y en Canadá.

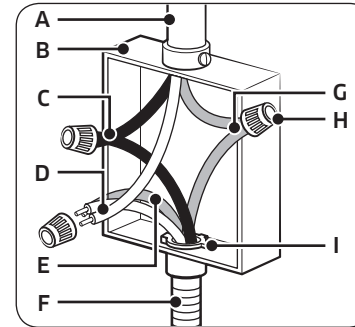


- A. Cable del suministro eléctrico hogareño
- B. Cables negros (normalmente L1)
- C. Cables rojos (normalmente L2)
- D. Conducto flexible del horno con 4 conductores
- E. Caja de empalmes
- F. Cables blancos (normalmente N-neutro)
- G. Conectores de cable aprobados por UL
- H. Cables verdes (normalmente G-tierra)
- I. Conector de conductos aprobado por UL o CSA

1. Conecte los 2 cables negros (B) juntos utilizando el conector de cables aprobado por UL.
2. Conecte los 2 cables rojos (C) juntos utilizando el conector de cables aprobado por UL.
3. Separe el cable blanco del cable a tierra verde (o desnudo) que proviene del horno.
4. Conecte los 2 cables blancos (F) juntos utilizando el conector de cables aprobado por UL.
5. Conecte el cable a tierra verde (o desnudo) (H) del horno al cable a tierra verde (o desnudo) (en la caja de empalmes) a través de un conector de cables aprobado por UL.
6. Instale la tapa de la caja de empalmes.

## Cable de 3 conductores del suministro eléctrico hogareño - EE. UU. solamente

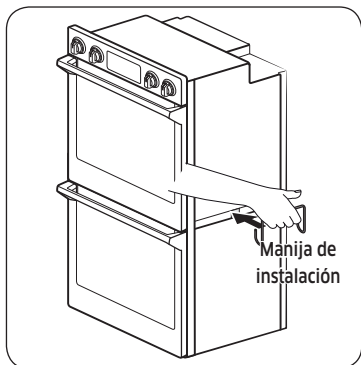
**IMPORTANTE:** Utilice el cable de 3 conductores del suministro eléctrico hogareño donde los códigos locales permitan una conexión de 3 conductores.



- A. Cable del suministro eléctrico hogareño
- B. Caja de empalmes
- C. Cables negros (normalmente L1)
- D. Cables blancos (normalmente N-neutro)
- E. Cables verdes (normalmente G-tierra)
- F. Conducto flexible del horno con 4 conductores
- G. Cables rojos (normalmente L2)
- H. Conectores de cable aprobados por UL
- I. Conector de conductos aprobado por UL o CSA

1. Conecte los 2 cables negros (C) juntos utilizando el conector de cables aprobado por UL.
2. Conecte los 2 cables blancos (D) y el cable a tierra verde (o desnudo) (del cable del horno) utilizando el conector de cables aprobado por UL.
3. Conecte los 2 cables rojos (G) juntos utilizando el conector de cables aprobado por UL.
4. Instale la tapa de la caja de empalmes.

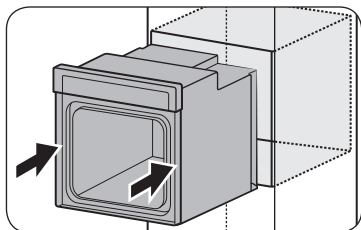
## Cómo instalar el horno



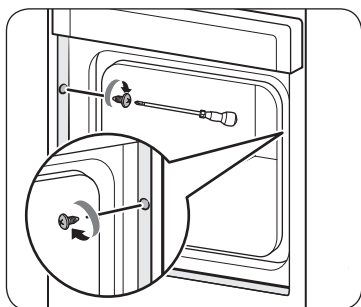
1. Levante el horno parcialmente con ayuda de 2 o más personas hasta el recorte del gabinete. Cuelgue la manija de instalación en el gancho lateral del horno como se muestra a continuación.

### NOTA

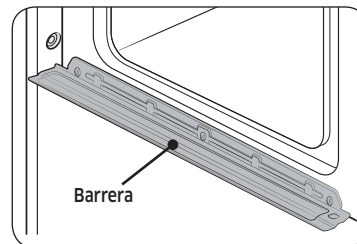
Empuje el marco frontal del horno con cuidado.



2. Empuje la zona de la junta del marco frontal para colocar el horno dentro del gabinete hasta que la superficie posterior del marco frontal toque la pared delantera del gabinete.

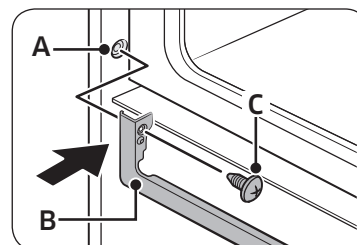


3. Empuje el horno dentro del gabinete por completo y céntrelo en el recorte del gabinete.
4. Retire la cinta de los bordes delanteros.
  - Sujete firmemente el horno al gabinete utilizando los tornillos provistos.
  - Inserte los tornillos en los orificios del borde alineándolos con los orificios del horno. No los ajuste demasiado.



### ADVERTENCIA

Cuando introduzca el horno, preste atención de no deformar o dañar la barrera de abajo.



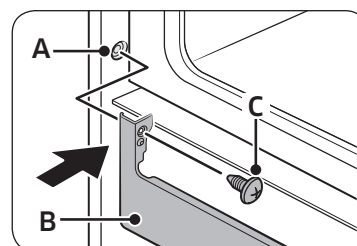
- A. Borde izquierdo
- B. Borde inferior
- C. Tornillo

5. El borde de metal inferior se envía en el empaque de espuma. Para instalar el borde de metal inferior, consulte las siguientes instrucciones.

- Alinee la pestaña del borde inferior con un orificio del borde del lado izquierdo de la unidad, como se muestra. Repita la operación en el lado derecho.
- Ajuste el borde en el horno firmemente usando un tornillo de cada lado de la pestaña del borde.

### NOTA

La función de la pieza del borde inferior es cubrir espacios no deseados.



- A. Borde izquierdo
- B. Borde inferior grande
- C. Tornillo

6. Si el tamaño de la abertura recortada supera las  $\frac{3}{4}$  pulgadas, se recomienda usar el borde inferior más ancho.

### NOTA

Para seleccionar el borde inferior de manera adecuada, mida la abertura recortada entre el gabinete y el horno. Vea la tabla siguiente.

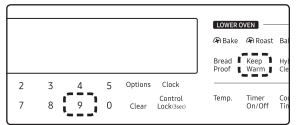

TIPO		
Abertura recortada	0 - $\frac{3}{4}$ "	$\frac{3}{4}$ " - $2\frac{3}{4}$ "

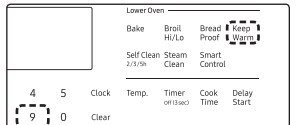


# Autodiagnóstico

## Sensor de temperatura y control del calentador

1. Luego de conectar la alimentación, verifique que la pantalla funcione correctamente.
2. Retire todos los accesorios (parrilla deslizante, parrilla plana, divisor inteligente, etc.) del interior de la cavidad del horno.
3. No podrá realizar el autodiagnóstico si la cavidad del horno está caliente o la puerta está abierta.
  - En este caso, aparecerá el mensaje "Hot or door" (Caliente o Puerta) en la pantalla.
4. Para comenzar el autodiagnóstico, presione ambas teclas funcionales simultáneamente durante 5 segundos.
  - Consulte la siguiente tabla para ver las teclas funcionales de cada modelo.

Modelo	NV51K6650**	NV51K7770**
Panel de control		
Tecla funcional	Keep Warm (Mantener caliente) + "9"	UPPER (SUPERIOR) + LOWER (INFERIOR) y presionar "Install test" (Prueba de instalación) en la pantalla.

Modelo	NV51*5*****
Panel de control	
Tecla funcional	Keep Warm (Mantener caliente) + "9"

5. Si no hay ningún error, aparecerá 'PASS' (APROBADO) en la pantalla con un sonido de alerta.
6. Si hay un error, aparecerá el siguiente mensaje en la pantalla con un sonido de alerta.

Función	Modelo	Todos los modelos	
		Código de error	Comentario
	Asar a la parrilla superior	H-2	Horno Doble/Simple
	Hornear superior	H-1	
	Asar a la parrilla inferior	H-4	Horno doble solamente
	Hornear inferior	H-3	

7. Si se produce un error, comuníquese con el centro de servicio técnico de Samsung para recibir asistencia.

### NOTA

Si encuentra otros mensajes de error no incluidos en la lista anterior, comuníquese con el centro de servicio técnico de Samsung llamando al 1-800-SAMSUNG (726-7864)

# Notas

---

# Notas

---

# Notas

---



Scan this with your smartphone

Escanee el código QR\* o visite  
[www.samsung.com/spsn](http://www.samsung.com/spsn)  
para ver videos instructivos  
útiles y programas en vivo

\* Requiere la instalación de un lector en su teléfono  
inteligente

Tenga en cuenta que la garantía de Samsung NO cubre las llamadas de servicio para explicar el funcionamiento del producto, corregir una instalación inadecuada o realizar tareas de limpieza o mantenimiento.

## ¿TIENE PREGUNTAS O COMENTARIOS?

PAÍS	LLAME AL	O VISÍTENOS EN LÍNEA EN
U.S.A Consumer Electronics	1-800-SAMSUNG (726-7864)	<a href="http://www.samsung.com/us/support">www.samsung.com/us/support</a>
CANADA	1-800-SAMSUNG(726-7864)	<a href="http://www.samsung.com/ca/support">www.samsung.com/ca/support</a> (English) <a href="http://www.samsung.com/ca_fr/support">www.samsung.com/ca_fr/support</a> (French)



DG68-00862A-09

# Four mural électrique encastrable

---

## Manuel d'installation

NV51K7770\*\* / NV51K6650\*\* / NV51\*5\*\*\*\*\*

---



**SAMSUNG**

## Table des matières

<b>Consignes de sécurité</b>	<b>2</b>
Sécurité relative à l'équipement	2
Transport	2
<b>Préparation</b>	<b>4</b>
Liste de contrôle	4
Préparation avant l'installation du four	4
Conditions d'emplacement	5
Dimensions de l'appareil (fours simples - NV51K7770S, NV51K6650S)	5
Dimensions de l'appareil (four simple - NV51*5***S*)	6
Dimensions du meuble (fours simples)	6
Dimensions de l'appareil (fours doubles - NV51K7770D, NV51K6650D)	7
Dimensions de l'appareil (four double - NV51*5***D*)	8
Dimensions du meuble (fours doubles)	8
<b>Consignes d'installation</b>	<b>10</b>
Préparation du four encastré	10
Retrait et réinstallation de la ou des porte(s) du four	11
Raccordement électrique	13
Installation du four	15
<b>Auto-diagnostic</b>	<b>16</b>
Contrôle du capteur de température et des éléments chauffants	16

## Consignes de sécurité

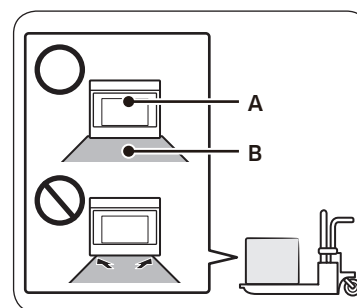
### Sécurité relative à l'équipement

Retirez tous les adhésifs et l'emballage avant d'utiliser l'appareil. Mettez au rebut l'emballage après avoir déballé l'appareil. Ne laissez jamais les enfants jouer avec les matériaux d'emballage.

Ne modifiez ou n'altérez jamais la structure de l'appareil. Par exemple, ne retirez pas les panneaux, les caches de câbles ou les vis.

### Transport

Pour éviter d'endommager la ventilation du four, utilisez la méthode de transport présentée dans l'image ci-dessous.



- A. Avant
- B. Palette

Soutenez le bas du four de l'un des côtés lorsque vous le déplacez vers l'emplacement d'installation. Laissez l'appareil relié à la palette de livraison jusqu'à ce qu'il soit en face de l'ouverture du meuble et qu'il est prêt à être soulevé pour sa mise en place.

### ⚠ DANGER

#### RISQUE D'ÉLECTROCUTION

Pour éviter tout risque d'électrocution, de blessures corporelles ou d'accident mortel, vérifiez que votre appareil a correctement été mis à la terre, conformément aux codes locaux ou, en l'absence de codes, au Code national électrique (NEC). ANSI/NFPA 70, dernière édition.

### ⚠ AVERTISSEMENT

#### RISQUE LORS DU DÉPLACEMENT

Pour éviter tout risque de blessures corporelles graves, cet appareil requiert deux personnes ou plus pour sa manipulation et son déplacement. Nous vous recommandons d'utiliser des dispositifs de déplacement d'appareils.

### **⚠ AVERTISSEMENT**

- Les informations figurant dans le présent manuel doivent être scrupuleusement suivies.
  - En cas de non-respect de ces informations, un incendie ou une électrocution risque de survenir et de provoquer des dégâts matériels, des blessures corporelles ou des accidents mortels.
- Important : conservez le présent manuel d'installation pour que l'inspecteur électrique local puisse le consulter.
- Bonne installation - Assurez-vous que votre appareil est correctement installé et mis à la terre par un technicien qualifié.
- Toutes les constructions dont les circuits dérivés sont neufs (Code national électrique de 1996), les maisons mobiles, les véhicules et les installations de loisirs dont les codes locaux interdisent la mise à la terre par un conducteur neutre, nécessitent un raccordement en dérivation à 4 fils.
- Un mauvais raccordement du câblage en aluminium du domicile aux câbles en cuivre peut provoquer un risque électrique ou d'incendie. Utilisez uniquement des connecteurs conçus pour relier du cuivre à de l'aluminium et suivez attentivement la procédure recommandée par le fabricant.
- Les vis de montage doivent être utilisées.
  - En cas de non-respect de cette consigne, le four peut tomber du meuble et provoquer des blessures graves.

### **⚠ ATTENTION**

- Assurez-vous que les revêtements du meuble et du mur situés autour du four peuvent résister à la température générée par le four (pouvant aller jusqu'à 194 °F [90 °C]).
  - Dans le cas contraire, des éléments peuvent se décolorer, se décoller ou fondre.
- Ne retirez pas les entretoises sur les parois latérales du four encastré.
  - Ces entretoises permettent de centrer le four dans l'espace disponible. Le four doit être centré pour éviter une accumulation excessive de chaleur, qui est susceptible d'entraîner des dommages ou un incendie.

### **⚠ AVERTISSEMENT**

- Les informations figurant dans le présent manuel doivent être scrupuleusement suivies.
  - En cas de non-respect de ces informations, un incendie ou une électrocution risque de survenir et de provoquer des dégâts matériels, des blessures corporelles ou des accidents mortels.

### **REMARQUE IMPORTANTE**

Il relève de la responsabilité de l'installateur de procéder à la bonne installation de l'appareil ; toute défaillance de l'appareil due à une mauvaise installation n'est PAS couverte par la garantie.

### **⚠ AVERTISSEMENT**

- Ne placez pas de poids sur la porte du four. Ne laissez jamais qui que ce soit monter, s'asseoir, se mettre debout ou se pendre sur la porte du four.
  - Le four pourrait se renverser et provoquer des blessures à cause des aliments ou du four lui-même.

### **⚠ AVERTISSEMENT**

- L'alimentation électrique doit être coupée lorsque vous procédez aux raccordements électriques.
  - Le non-respect de cette consigne peut entraîner des blessures corporelles voire mortelles ou une électrocution.

### **REMARQUE IMPORTANTE**

- Respectez tous les codes et règlements en vigueur. Cet appareil doit être correctement relié à la terre.
- N'obstruez pas les conduits de ventilation du four. La ventilation du four se situe en bas du four. Pendant le fonctionnement du four, cette zone peut devenir extrêmement chaude. N'obstruez jamais cette ventilation et ne placez pas de matière plastique ou d'éléments sensibles à la chaleur devant elle.



# Préparation

## Liste de contrôle

Utilisez cette liste de contrôle pour vérifier que vous avez effectué chaque étape du processus d'installation. Elle peut vous aider à éviter de commettre des erreurs.

1. Avant d'installer le four, pensez à vérifier que les dimensions du meuble sont correctes pour accueillir votre appareil et que les raccordements électriques requis sont présents.
2. Reportez-vous au manuel d'installation pour consulter le contenu relatif à la sécurité, aux dimensions du meuble, au retrait de l'emballage, à l'installation électrique, aux tests de l'installation et au service après-vente.
3. Pour soulever le four, penchez la poignée d'installation sur le crochet latéral de l'appareil.
4. Déplacez le four en place, en face de l'ouverture du meuble, en laissant l'emballage du bas sur l'appareil pour éviter d'abîmer le sol.
5. Soulevez l'appareil à plusieurs et en même temps pour le déposer directement dans le découpage du meuble, en veillant à ne pas vous coincer les doigts ou à vous érafler les mains ou les bras. Assurez-vous que le conduit électrique atteint correctement le point de raccordement.
6. Faites glisser l'appareil en place jusqu'au bout, en veillant à acheminer correctement le conduit électrique.
7. Attachez le four à l'ouverture du meuble avec les vis fournies (à l'aide d'un tournevis cruciforme).
8. Consultez les instructions d'installation complètes et suivez le reste des procédures indiquées, notamment la réalisation d'un essai de fonctionnement.
9. Toute la documentation de l'appareil et les accessoires sont fournis avec le four (peut-être dans un emballage ou une boîte).
10. **INSTALLATEUR** : Laissez le kit de documentation et les accessoires au client.
11. Penchez la poignée d'installation sur le crochet latéral du four.

## Préparation avant l'installation du four



Tournevis cruciforme



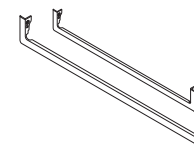
Perceuse

## Préparation avant l'installation du four



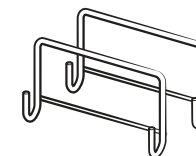
6 vis (M4 L16)

6 vis en bois pour le montage  
(4 nécessaires pour l'installation  
et 2 de rechange)



30" (76,2 cm)

Garniture inférieure métallique



Poignée d'installation  
(uniquement pour un four  
double)

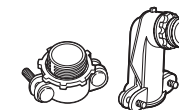
## Matériel nécessaire



Boîte de jonction



Serre-fils



Raccord de conduit 3/4"

## Conditions d'emplacement

**IMPORTANT :** Respectez tous les codes et règlements en vigueur.

- Les dimensions d'ouverture du meuble indiquées doivent être utilisées. Les dimensions données offrent un dégagement minimum par rapport au four.
- L'emplacement d'installation encastrée doit disposer d'un coffret complet faisant le tour de la partie encastrée du four.
- Une alimentation électrique mise à la terre est requise. Reportez-vous à la section « Exigences en matière de raccordement électrique ».
- La boîte de jonction de l'alimentation électrique doit se trouver à 3" (7,6 cm) maximum en dessous de la surface d'appui lorsque le four est installé dans un meuble mural. Un trou d'au moins 1" (2,5 cm) de diamètre doit avoir été percé sur le coin arrière droit ou arrière gauche du plan d'appui, afin d'y faire passer le câble de l'appareil jusqu'à la boîte de jonction.

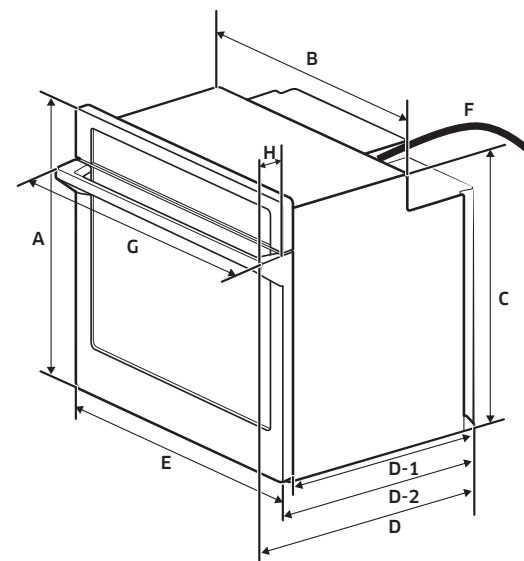
### REMARQUE

Pour une installation sous le plan de travail, il est recommandé que la boîte de jonction se trouve dans le meuble adjacent à droite ou à gauche. Si vous installez la boîte de jonction sur le mur arrière derrière le four, il est recommandé que la boîte de jonction soit encastrée et située en haut à droite du meuble.

- Le plan d'appui du four doit être solide, de niveau et aligné avec le bas du découpage du meuble.
- Le sol doit pouvoir supporter le poids d'un four unique de 199 lb (90 kg).
- Le sol doit pouvoir supporter le poids d'un four double de 331 lb (150 kg).

**IMPORTANT :** Afin d'éviter tout endommager de vos meubles, vérifiez avec votre constructeur ou avec le fournisseur du meuble que les matériaux utilisés ne se décolorent pas, ne se délaminent pas ou ne subissent aucun autre endommagement. Ce four a été conçu conformément aux exigences des réglementations internationales UL et CSA et est conforme à la température maximale admissible de 194 °F (90 °C) pour un meuble en bois.

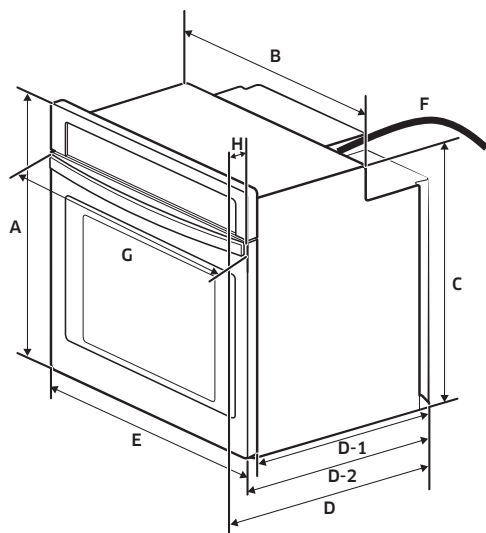
## Dimensions de l'appareil (fours simples - NV51K7770S, NV51K6650S)



DIMENSIONS		
A	28 <sup>13</sup> / <sub>16</sub> " (73,1 cm)	Hauteur totale
B	28 <sup>1</sup> / <sub>2</sub> " (72,4 cm)	Largeur d'encastrement
C	27 <sup>3</sup> / <sub>16</sub> " (69,1 cm)	Hauteur d'encastrement
D	26 <sup>15</sup> / <sub>16</sub> " (68,5 cm)	Profondeur totale (avec poignée)
D-1	23 <sup>3</sup> / <sub>8</sub> " (58,7 cm)	Profondeur d'encastrement
D-2	24 <sup>3</sup> / <sub>8</sub> " (62,0 cm)	Profondeur totale
E	29 <sup>3</sup> / <sub>4</sub> " (75,6 cm)	Largeur de la porte
F	47 <sup>1</sup> / <sub>4</sub> " (120 cm)	Longueur de conduit
G	30" (76,0 cm)	Largeur totale (Largeur de la poignée)
H	2 <sup>9</sup> / <sub>16</sub> " (6,5 cm)	Profondeur de la poignée

# Préparation

## Dimensions de l'appareil (four simple - NV51\*5\*\*\*5\*)

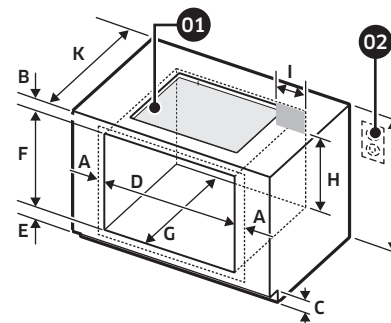


DIMENSIONS		
A	28 <sup>13</sup> / <sub>16</sub> " (73,1 cm)	Hauteur totale
B	28 <sup>1</sup> / <sub>2</sub> " (72,4 cm)	Largeur d'encastrement
C	27 <sup>3</sup> / <sub>16</sub> " (69,1 cm)	Hauteur d'encastrement
D	26 <sup>5</sup> / <sub>8</sub> " (67,6 cm)	Profondeur totale (avec poignée)
D-1	23 <sup>1</sup> / <sub>8</sub> " (58,7 cm)	Profondeur d'encastrement
D-2	24 <sup>3</sup> / <sub>8</sub> " (62,0 cm)	Profondeur totale
E	29 <sup>3</sup> / <sub>4</sub> " (75,6 cm)	Largeur totale (Largeur de la porte)
F	47 <sup>1</sup> / <sub>4</sub> " (120 cm)	Longueur de conduit
G	28 <sup>9</sup> / <sub>16</sub> " (72,5 cm)	Largeur de la poignée
H	2 <sup>1</sup> / <sub>4</sub> " (5,7 cm)	Profondeur de la poignée

## Dimensions du meuble (fours simples)

### Four simple sous le plan de travail

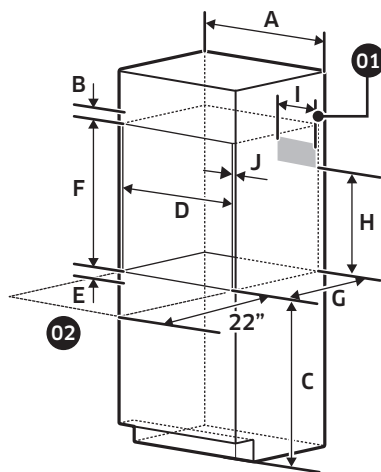
- Des tables de cuisson au gaz ou électriques peuvent être installées par-dessus ce four. Reportez-vous aux instructions d'installation de la table de cuisson pour connaître la taille du découpage. Reportez-vous à l'étiquette apposée sur les modèles approuvés de table de cuisson.
- Les raccordements à l'électricité et au gaz pour la table de cuisson au gaz doivent se trouver à un endroit accessible adjacent, sur la droite.



DIMENSIONS	
A	Mini. 1 <sup>1</sup> / <sub>16</sub> " (1,75 cm) - Chevauchement des bords latéraux de découpe
B	Minimum 4 <sup>1</sup> / <sub>8</sub> " (10,5 cm)
C	3 <sup>5</sup> / <sub>8</sub> " (9,1 cm)
D	Minimum 28 <sup>1</sup> / <sub>2</sub> " / Maximum 28 <sup>5</sup> / <sub>8</sub> " (Minimum 72,4 cm / Maximum 72,7 cm)
E	Minimum 1" / Maximum 1 <sup>1</sup> / <sub>4</sub> " (Minimum 2,5 cm / Maximum 3,2 cm)
F	Minimum 27 <sup>1</sup> / <sub>4</sub> " / Maximum 27 <sup>3</sup> / <sub>8</sub> " (Minimum 69,2 / Maximum 69,5 cm)
G	Minimum 23 <sup>1</sup> / <sub>2</sub> " (Minimum 59,7 cm)
H	Minimum 22" (Minimum 55,9 cm)
I	Maximum 9 <sup>1</sup> / <sub>2</sub> " (Maximum 24,1 cm) - Boîte de jonction
J	36 <sup>3</sup> / <sub>8</sub> " (92,3 cm) - Hauteur du plan de travail
K	25" (63,5 cm)

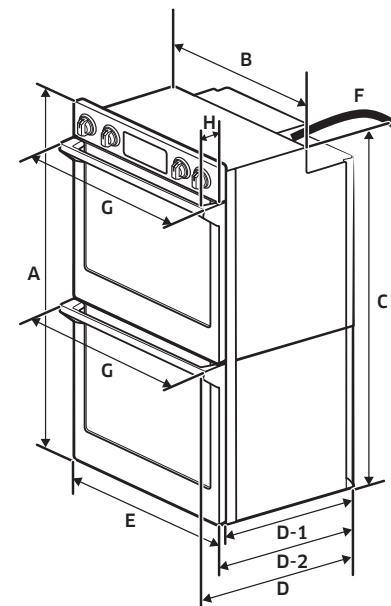
## Montage mural d'un four simple

- 01 Boîte de jonction
- 02 Laissez un dégagement minimum de 22" par rapport aux coins adjacents, tiroirs, murs, etc. lorsque la porte est ouverte.



DIMENSIONS	
A	30" (76,2 cm)
B	Minimum 1 <sup>3</sup> / <sub>8</sub> " (3,5 cm)
C	Minimum 31" (Minimum 78,7 cm)
D	Minimum 28 <sup>1</sup> / <sub>2</sub> " / Maximum 28 <sup>5</sup> / <sub>8</sub> " (Minimum 72,4 cm / Maximum 72,7 cm)
E	Minimum 1" / Maximum 1 <sup>1</sup> / <sub>4</sub> " (Minimum 2,5 cm / Maximum 3,2 cm)
F	Minimum 27 <sup>1</sup> / <sub>4</sub> " / Maximum 27 <sup>3</sup> / <sub>8</sub> " (Minimum 69,2 / Maximum 69,5 cm)
G	Minimum 23 <sup>1</sup> / <sub>2</sub> " (Minimum 59,7 cm)
H	Minimum 22" (Minimum 55,9 cm)
I	Maximum 9 <sup>1</sup> / <sub>2</sub> " (Maximum 24,1 cm) - Boîte de jonction
J	Minimum 1 <sup>1</sup> / <sub>16</sub> " (1,75 cm) - Épaisseur du meuble en bois

## Dimensions de l'appareil (fours doubles - NV51K7770D, NV51K6650D)

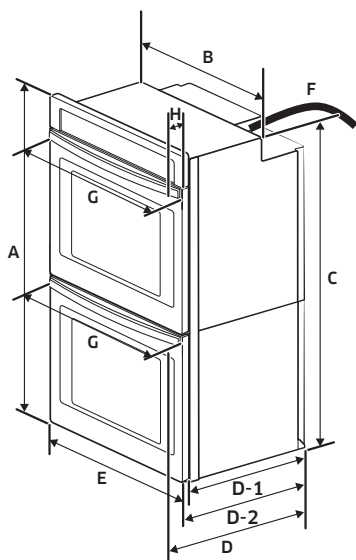


DIMENSIONS		
A	51 <sup>1</sup> / <sub>2</sub> " (130,7 cm)	Hauteur totale
B	28 <sup>1</sup> / <sub>2</sub> " (72,4 cm)	Largeur d'encastrement
C	49 <sup>7</sup> / <sub>8</sub> " (126,7 cm)	Hauteur d'encastrement
D	26 <sup>15</sup> / <sub>16</sub> " (68,5 cm)	Profondeur totale (avec poignée)
D-1	23 <sup>3</sup> / <sub>8</sub> " (58,7 cm)	Profondeur d'encastrement
D-2	24 <sup>3</sup> / <sub>8</sub> " (62,0 cm)	Profondeur totale
E	29 <sup>3</sup> / <sub>4</sub> " (75,6 cm)	Largeur de la porte
F	67" (170 cm)	Longueur de conduit
G	30" (76,0 cm)	Largeur totale (Largeur de la poignée)
H	2 <sup>9</sup> / <sub>16</sub> " (6,5 cm)	Profondeur de la poignée

Préparation

# Préparation

## Dimensions de l'appareil (four double - NV51\*5\*\*\*D\*)

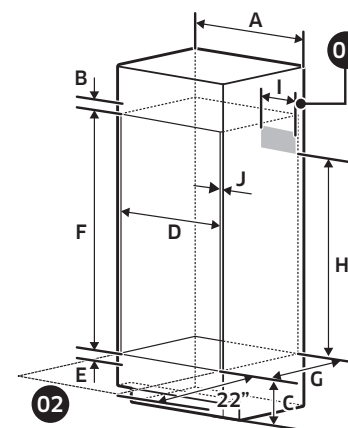


DIMENSIONS		
A	51 <sup>1</sup> / <sub>2</sub> " (130,7 cm)	Hauteur totale
B	28 <sup>1</sup> / <sub>2</sub> " (72,4 cm)	Largeur d'encastrement
C	49 <sup>7</sup> / <sub>8</sub> " (126,7 cm)	Hauteur d'encastrement
D	26 <sup>5</sup> / <sub>8</sub> " (67,6 cm)	Profondeur totale (avec poignée)
D-1	23 <sup>1</sup> / <sub>8</sub> " (58,7 cm)	Profondeur d'encastrement
D-2	24 <sup>3</sup> / <sub>8</sub> " (62,0 cm)	Profondeur totale
E	29 <sup>3</sup> / <sub>4</sub> " (75,6 cm)	Largeur totale (Largeur de la porte)
F	67" (170 cm)	Longueur de conduit
G	28 <sup>9</sup> / <sub>16</sub> " (72,5 cm)	Largeur de la poignée
H	2 <sup>1</sup> / <sub>4</sub> " (5,7 cm)	Profondeur de la poignée

## Dimensions du meuble (fours doubles)

### Fours doubles installés dans un meuble

- 01 Boîte de jonction
- 02 Laissez un dégagement minimum de 22" par rapport aux coins adjacents, tiroirs, murs, etc. lorsque la porte est ouverte.



DIMENSIONS	
A	30" (76,2 cm)
B	Minimum 1 <sup>3</sup> / <sub>16</sub> " (3,0 cm)
C	12" (30,5 cm)
D	Minimum 28 <sup>1</sup> / <sub>2</sub> " / Maximum 28 <sup>5</sup> / <sub>8</sub> " (Minimum 72,4 cm / Maximum 72,7 cm)
E	Minimum 1" / Maximum 1 <sup>1</sup> / <sub>4</sub> " (Minimum 2,5 cm / Maximum 3,2 cm)
F	50 <sup>1</sup> / <sub>4</sub> " (127,6 cm)
G	Minimum 23 <sup>1</sup> / <sub>2</sub> " (Minimum 59,7 cm)
H	Minimum 47" (Minimum 119,4 cm)
I	Maximum 9 <sup>1</sup> / <sub>2</sub> " (Maximum 24,1 cm) - Boîte de jonction
J	Minimum 1 <sup>1</sup> / <sub>16</sub> " (1,75 cm) - Épaisseur du meuble en bois

Si les lois le permettent et si un fil de mise à la terre séparé est utilisé, il est recommandé qu'un installateur électricien qualifié détermine si le chemin de mise à la terre et le calibre de fils sont conformes aux normes locales.

Si vous n'êtes pas sûr que le four soit correctement mis à la terre, vérifiez-le avec un installateur électricien qualifié.

Ce four doit être raccordé à un système métallique de câblage permanent mis à la terre. Assurez-vous que le branchement électrique et la taille des fils sont adéquats et conformes au Code national électrique, à la dernière édition de la réglementation ANSI/NFPA 70 ou aux normes de la CSA C22.

1-94, au code électrique canadien Partie 1 et à la dernière édition de la réglementation C22,2 n°O-M91, ainsi qu'à toutes les normes locales.

Une copie des normes susmentionnées peut être demandée auprès de :

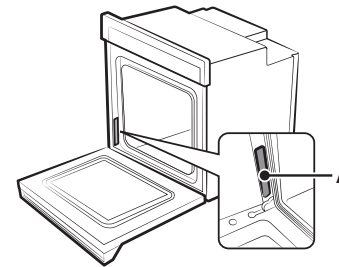
National Fire Protection Association  
1 Batterymarch Park  
Quincy, MA 02169-7471

CSA International  
8501 East Pleasant Valley Road  
Cleveland, OH 44131-5575

### Raccordement électrique

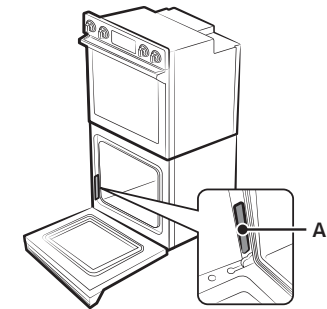
Pour installer correctement votre four, vous devez déterminer le type de branchement électrique que vous utiliserez et suivre les instructions fournies dans le présent manuel.

- Le four doit être raccordé à une fréquence et une tension d'alimentation appropriées, telles que spécifiées sur la plaque du modèle/du numéro de série/signalétique. Le nom du modèle / le numéro de série / la plaque signalétique se trouve en bas à gauche de la garniture. Reportez-vous aux illustrations suivantes.



**Four simple**

A. Plaque du modèle/du numéro de série/signalétique



**Four double**

A. Plaque du modèle/du numéro de série/signalétique

- Il est recommandé d'utiliser un disjoncteur.
- Utilisez le tableau ci-dessous pour déterminer la protection minimale recommandée pour un circuit dédié.

Valeur nominale en KW (240 V)	Valeur nominale en KW (208 V)	Taille recommandée de circuit (dédié)
≤ 4,8 KW	≤ 4,1 KW	20 A
4,9 KW - 7,5 KW	4,3 KW - 6,2 KW	30 A
7,3 KW - 9,6 KW	6,3 KW - 8,3 KW	40 A
9,7 KW - 12,0 KW	8,4 KW - 10,4 KW	50 A

## Préparation

- Raccordez directement au boîtier disjoncteurs (ou au sectionneur à fusible) via un câble flexible, armé ou à gaine non métallique, en cuivre (avec fil de mise à la terre). Reportez-vous à la section « Raccordement électrique ».
- Le conduit flexible provenant du four doit être raccordé directement à la boîte de jonction.
- Équipez les deux côtés de la ligne de fusibles.
- Ne coupez pas le conduit. La longueur de conduit fournie permet de faciliter l'entretien du four.
- Un raccord de conduit répertorié UL ou homologué CSA doit être fourni.
- Si votre domicile possède du câblage en aluminium, suivez la procédure ci-dessous :
  1. Reliez une partie du fil solide en cuivre aux extrémités des câbles du conduit flexible.
  2. Branchez le câblage en aluminium sur la partie ajoutée de fil en cuivre, à l'aide de connecteurs spéciaux et/ou d'outils adaptés et répertoriés UL pour relier le cuivre à l'aluminium.

Suivez la procédure recommandée par le fabricant du connecteur électrique. La connexion aluminium/cuivre doit être conforme aux normes locales et aux pratiques de câblage acceptées dans le secteur.

Pour les exigences relatives à l'alimentation pour les modèles NV51K6650D, NV51K6650S, NV51K7770D, NV51K7770S, NV51\*5\*\*\*D, et NV51\*5\*\*\*S, reportez-vous au tableau suivant.

Modèle	240 V CA	208 V CA
	kW	kW
NV51K6650D	9,3	7,0
NV51K6650S	4,9	3,7
NV51K7770D	10,6	8,0
NV51K7770S	6,2	4,7
NV51*5***D	8,9	6,7
NV51*5***S	4,9	3,7

## Consignes d'installation

### Préparation du four encastré

#### AVERTISSEMENT

#### Risque de poids excessif

Faites appel à deux personnes ou plus pour déplacer et installer le four.

Le non-respect de cette consigne peut entraîner des blessures au dos ou autres.

1. Déterminez l'emplacement final du four. Évitez de percer ou de couper le câblage du domicile lors de l'installation.
2. Pour éviter d'abîmer le sol, placez le four sur un carton avant son installation. N'utilisez pas la poignée ou toute autre partie du cadre avant pour lever l'appareil.
3. Retirez les matériaux d'emballage et les adhésifs présents sur le four. Pensez à conserver les matériaux d'emballage qui peuvent être nécessaires pour l'installation.
4. Retirez l'emballage du matériel présent à l'intérieur du sachet contenant la documentation.
5. Retirez les grilles et les autres pièces situées à l'intérieur du four.
6. Déplacez le four et le carton près de l'emplacement final du four.

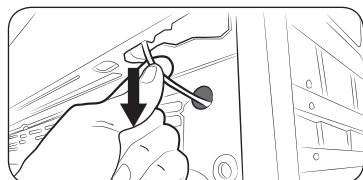
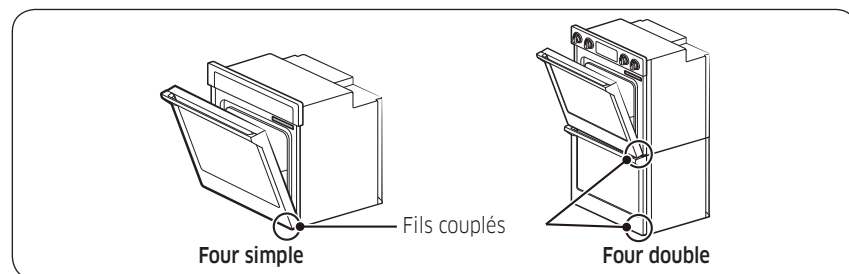
## Retrait et réinstallation de la ou des porte(s) du four

**IMPORTANT :** Utilisez vos deux mains pour retirer une porte du four. Pour les fours doubles, recommencez le processus pour chaque porte.

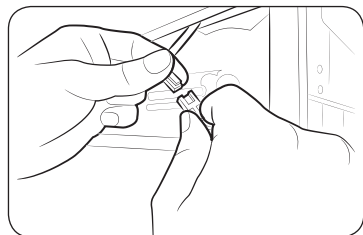
Avant de retirer la porte du four, préparez une surface où vous pourrez la déposer. Cette surface doit être plate et recouverte d'une couverture douce, ou utilisez les montants d'angle présents dans les matériaux d'emballage.

### Débranchement des fils couplés de l'éclairage DEL (Modèles NV51K7770\*\* / NV51K6650\*\* uniquement)

Repérez l'emplacement des fils couplés de l'éclairage DEL et débranchez-les avant de retirer la porte.

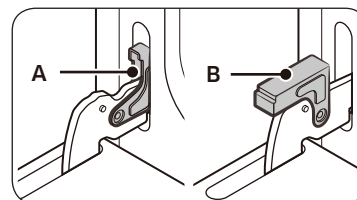


1. Tirez doucement sur le câble pour révéler le connecteur.

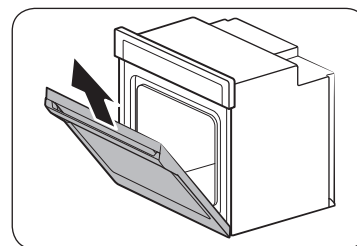


2. Débranchez le connecteur.

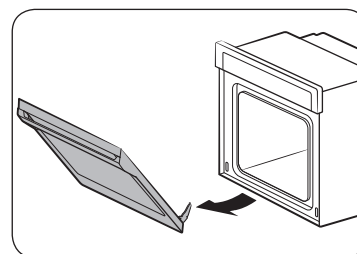
## Retrait de la ou des porte(s) du four



- A. Verrou de la charnière de la porte du four en position verrouillée
- B. Verrou de la charnière de la porte du four en position déverrouillée



1. Ouvrez la porte du four.
2. Repérez l'emplacement des verrous de la charnière de la porte du four, aux deux angles de la porte du four, puis faites tourner les verrous de la charnière en direction de la porte du four pour les mettre en position déverrouillée (reportez-vous à l'illustration B). Si le verrou de la charnière de la porte n'est pas tourné entièrement, vous ne pouvez pas retirer correctement la porte.
3. Fermez partiellement la porte pour engager les verrous de la charnière de la porte. La porte s'arrête à cet endroit.



4. Avec vos deux mains, attrapez les bords de la porte du four. Soulevez et tirez la porte du four vers vous, puis retirez-la. Il se peut que vous deviez balancer doucement la porte d'un côté à l'autre à mesure que vous la tirez.
5. Mettez la ou les porte(s) du four de côté sur la surface de travail couverte préparée au préalable avec la porte du four reposant sur sa poignée.
6. Pour poursuivre l'installation du four, allez à la section « Positionnement des pieds du four pour plusieurs hauteurs de découpage du meuble ».

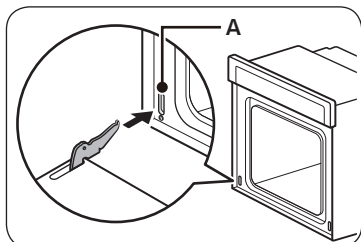


# Consignes d'installation

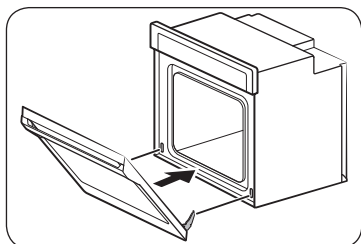
## Réinstallation de la ou des porte(s) du four

### ⚠ ATTENTION

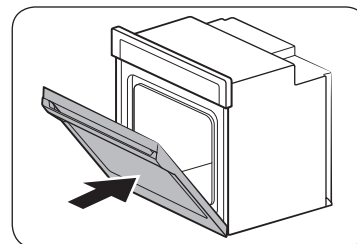
La porte est très lourde. Il se peut que vous ayez besoin d'aide pour soulever la porte suffisamment haut pour la faire glisser dans les trous de la charnière. Ne soulevez pas la porte par la poignée.



A. Trou à l'intérieur du four pour le verrou de la charnière de la porte



1. Avec vos deux mains, attrapez les côtés de la porte au milieu. Placez-vous en face de l'intérieur du four.
2. Repérez l'emplacement des trous de chaque côté de la paroi intérieure du four, destinés aux verrous de la charnière de la porte.
3. En respectant un angle de 45°, alignez les charnières de la porte avec les trous en bas et à l'avant de l'intérieur du four. Insérez lentement la porte, en veillant à conserver l'angle de 45°. Si vous ressentez une légère chute, cela signifie que la porte est bien engagée dans le trou.



4. Abaissez la porte du four en position entièrement ouverte. Si la porte du four ne s'ouvre pas complètement à 90°, recommencez les étapes 1 à 3.
5. Repérez l'emplacement des verrous de la charnière de la porte du four, aux angles de la porte du four, puis faites tourner les verrous de la charnière en direction de l'intérieur du four pour les mettre en position verrouillée. Reportez-vous à l'étape 1 (Illustration A) dans la section « Retrait de la ou des porte(s) du four », pour connaître la bonne position de verrouillage.
6. Fermez la porte du four.
7. Lorsque les charnières sont correctement installées et que la porte est fermée, il devrait y avoir un écart régulier entre la porte et le panneau de commande. Si un côté de la porte du four descend plus bas que l'autre, la charnière de ce côté de la porte est mal installée.
8. Branchez les fils couplés.

## Raccordement électrique

### Pour les fours doubles

#### ⚠ AVERTISSEMENT

#### Risque d'électrocution

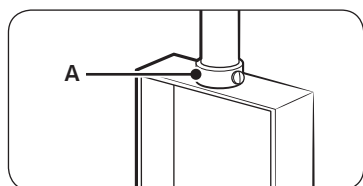
Coupez l'alimentation avant toute opération d'entretien.

Utilisez un fil en cuivre solide de calibre 8.

Assurez-vous de raccorder le four à la terre.

Le non-respect de ces consignes peut entraîner un incendie ou une électrocution et avoir des conséquences mortelles.

Ce four est doté d'un fil d'alimentation neutre (blanc) et d'un fil de mise à la terre branché sur le meuble (vert ou dénudé), vrillés ensemble.



A. Connecteur de conduit répertorié UL ou homologué CSA

1. Coupez l'alimentation.
2. Faites passer le conduit flexible provenant du four à travers l'ouverture dans le meuble.
3. Retirez le cache de la boîte de jonction, s'il est présent.
4. Installez un raccord de conduit répertorié UL ou homologué CSA jusqu'à la boîte de jonction.
5. Acheminez le conduit flexible du four à la boîte de jonction, à l'aide d'un connecteur de conduit répertorié UL ou homologué CSA.
6. Serrez les vis sur le connecteur de conduit.
7. Reportez-vous au « Tableau des options de raccordement électrique » afin d'effectuer l'installation pour votre type de raccordement électrique.

### Pour les fours simples

#### ⚠ AVERTISSEMENT

#### Risque d'électrocution

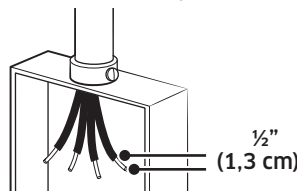
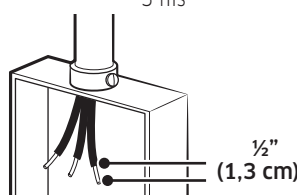
Coupez l'alimentation avant toute opération d'entretien.

Utilisez un fil en cuivre solide de calibre 8.

Raccordez le four à la terre.

Le non-respect de ces consignes peut entraîner un incendie ou une électrocution et avoir des conséquences mortelles.

## Tableau des options de raccordement électrique

Si votre domicile possède :	Reportez-vous à la section :
4 fils 	Câble 4 fils au niveau de l'alimentation du domicile
3 fils 	Câble 3 fils au niveau de l'alimentation du domicile

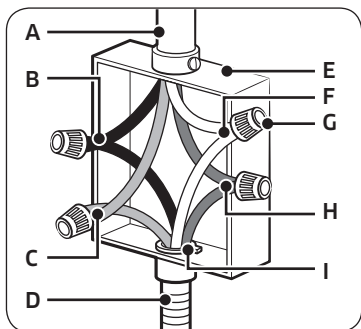
#### 📖 REMARQUE

Si les fils d'alimentation sont mal branchés, le message « **bAd LinE** » apparaît à l'écran. Rebranchez correctement les fils d'alimentation ; le message disparaît alors.

# Consignes d'installation

## Câble 4 fils au niveau de l'alimentation du domicile

**IMPORTANT :** Utilisez le câble 4 fils au niveau de l'alimentation du domicile si vous vivez dans un État des États-Unis où les codes locaux n'autorisent pas la mise à la terre via un conducteur neutre dans les installations dont les circuits dérivés sont neufs (Code national électrique de 1996), les maisons mobiles, les véhicules de loisirs et les constructions neuves, ainsi qu'au Canada.

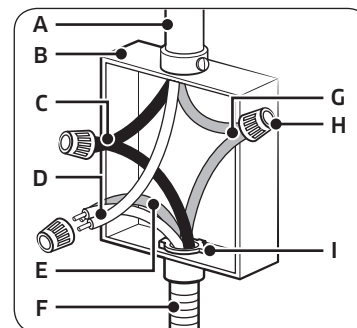


- A. Câble au niveau de l'alimentation du domicile
- B. Fils noirs (normalement L1)
- C. Fils rouges (normalement L2)
- D. Conduit flexible 4 fils provenant du four
- E. Boîte de jonction
- F. Fils blancs (normalement N, neutre)
- G. Serre-fils répertoriés UL
- H. Fils verts (normalement G, masse)
- I. Connecteur de conduit répertorié UL ou homologué CSA

1. Branchez les 2 fils noirs (B) ensemble à l'aide d'un serre-fils répertorié UL.
2. Branchez les 2 fils rouges (C) ensemble à l'aide d'un serre-fils répertorié UL.
3. Dévirez le fil blanc du fil vert (ou dénudé) de mise à la terre provenant du four.
4. Branchez les 2 fils blancs (F) ensemble à l'aide d'un serre-fils répertorié UL.
5. Reliez le fil de mise à la terre vert (ou dénudé) (H) au niveau du câble du four au fil de mise à la terre vert (ou dénudé) (dans la boîte de jonction), à l'aide d'un serre-fils répertorié UL.
6. Remettez le cache de la boîte de jonction en place.

## Câble 3 fils au niveau de l'alimentation du domicile - États-Unis uniquement

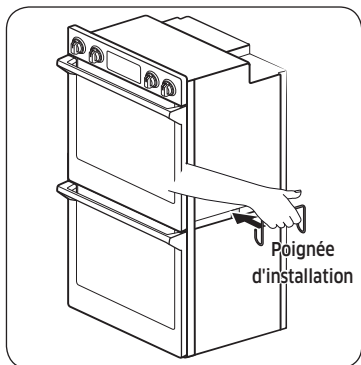
**IMPORTANT :** Utilisez le câble 3 fils au niveau de l'alimentation du domicile dans les États où les codes locaux autorisent un raccordement 3 fils.



- A. Câble au niveau de l'alimentation du domicile
- B. Boîte de jonction
- C. Fils noirs (normalement L1)
- D. Fils blancs (normalement N, neutre)
- E. Fils verts (normalement G, masse)
- F. Conduit flexible 4 fils provenant du four
- G. Fils rouges (normalement L2)
- H. Serre-fils répertoriés UL
- I. Connecteur de conduit répertorié UL ou homologué CSA

1. Branchez les 2 fils noirs (C) ensemble à l'aide d'un serre-fils répertorié UL.
2. Reliez les 2 fils blancs (D) et le fil de mise à la terre vert (ou dénudé) (du câble du four), à l'aide d'un serre-fils répertorié UL.
3. Branchez les 2 fils rouges (G) ensemble à l'aide d'un serre-fils répertorié UL.
4. Remettez le cache de la boîte de jonction en place.

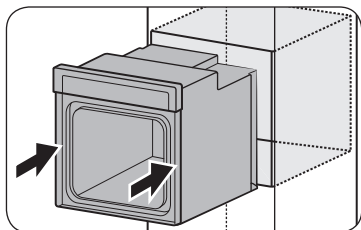
## Installation du four



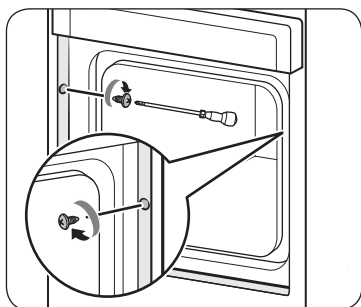
1. Avec l'aide de 2 personnes ou plus, soulevez partiellement le four pour le déposer dans le découpage du meuble. Pendez la poignée d'installation sur le crochet latéral du four, comme indiqué ci-dessous.

### REMARQUE

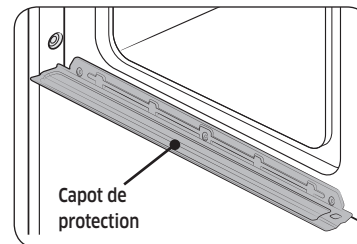
Poussez prudemment sur le cadre avant du four.



2. Poussez sur la zone à joint du cadre avant pour pousser le four à l'intérieur du meuble, jusqu'à ce que la surface arrière du cadre avant touche la paroi avant du meuble.

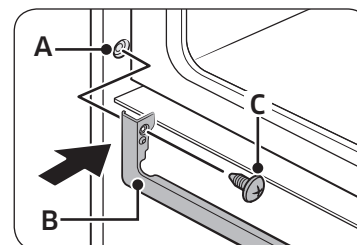


3. Poussez complètement le four à l'intérieur du meuble et centrez-le dans le découpage du meuble.
4. Retirez les adhésifs sur les garnitures avant.
  - Attachez soigneusement le four au meuble à l'aide des vis fournies.
  - Insérez les vis dans le trou percé dans la garniture, en l'alignant avec le trou dans le cadre du four. Ne serrez pas trop les vis.



### AVERTISSEMENT

Lors de l'insertion du four, faites attention à ne pas déformer ou endommager le capot de protection en dessous.

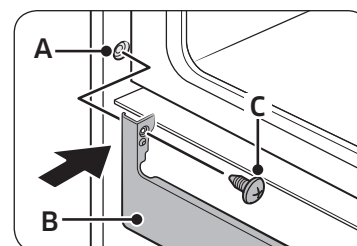


- A. Garniture gauche
- B. Garniture inférieure
- C. Vis

5. La garniture métallique inférieure est livrée dans un emballage en mousse. Pour installer la garniture métallique inférieure, reportez-vous aux instructions suivantes.
  - Aligned la languette de la garniture métallique inférieure avec un trou du côté gauche du module comme indiqué. Recommencez le mouvement du côté droit.
  - Avec une vis de chaque côté de la languette de la garniture, attachez solidement la garniture sur le four.

### REMARQUE

La pièce de garniture inférieure sert à recouvrir les éventuels écarts non souhaités.





- A. Garniture gauche
- B. Garniture inférieure large
- C. Vis

6. Si la taille du découpage est supérieure de  $\frac{3}{4}$  pouces, utilisez la garniture métallique inférieure.

### REMARQUE

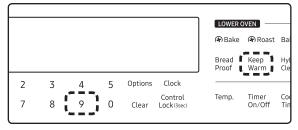

Pour choisir correctement la garniture inférieure, mesurez le découpage entre le meuble et le four. Reportez-vous au tableau suivant.

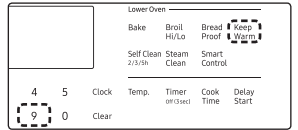
TYPE		
Découpage	0 à $\frac{3}{4}$ "	$\frac{3}{4}$ " à $2\frac{3}{4}$ "

# Auto-diagnostic

## Contrôle du capteur de température et des éléments chauffants

- Après avoir raccordé l'appareil à l'alimentation, vérifiez si l'écran fonctionne correctement.
- Retirez tous les accessoires (grille coulissante, grille plate, plaque de séparation intelligente, etc.) présents à l'intérieur du four.
- Vous ne pouvez pas procéder à l'auto-diagnostic si l'intérieur du four est chaud ou si la porte est ouverte.
  - Dans ce cas, le message « Hot or door » (Chaud ou porte) s'affiche à l'écran.
- Pour démarrer l'auto-diagnostic, appuyez simultanément sur les deux touches cachées pendant 5 secondes.
  - Reportez-vous au tableau ci-dessous pour connaître les touches cachées sur chaque modèle.

Modèle	NV51K6650**	NV51K7770**
Panneau de commande		
Touche cachée	<b>Keep Warm (Maintien au chaud) +</b> « 9 »	<b>UPPER (PARTIE SUPÉRIEURE) +</b> <b>LOWER (PARTIE INFÉRIEURE)</b> puis appuyez sur « Install test » (Test d'installation) sur l'écran.

Modèle	NV51*5*****
Panneau de commande	
Touche cachée	<b>Keep Warm (Maintien au chaud) +</b> « 9 »

- S'il n'y a aucune erreur, le message « PASS » (RÉUSSI) s'affiche à l'écran avec un signal d'alerte.
- S'il y a une erreur, le message suivant s'affiche à l'écran avec un signal d'alerte.

Modèle	Tous les modèles		
	Code d'erreur	Remarque	
Fonction	Gril supérieur	H-2	Four Double/Simple
	Zone supérieure de cuisson	H-1	
	Gril inférieur	H-4	Four double uniquement
	Zone inférieure de cuisson	H-3	

- Si une erreur survient, prenez contact avec un centre de dépannage Samsung pour obtenir une assistance.

### REMARQUE

Si vous voyez s'afficher tout autre message d'erreur non répertorié ci-dessus, veuillez prendre contact avec un centre de dépannage Samsung. Par exemple, appelez le 1-800-SAMSUNG (726-7864).

# Notes

---

# Notes

---

# Notes

---





Scan this with your smartphone

Scannez le code QR\* ou rendez-vous sur le site [www.samsung.com/spsn](http://www.samsung.com/spsn) pour voir nos vidéos et démonstrations en direct d'utilisation.

\* Requiert l'installation d'un lecteur sur votre smartphone

Veillez noter que la garantie Samsung n'inclut pas les déplacements du service après-vente pour expliquer le fonctionnement de l'appareil, corriger une installation non correcte ou exécuter des travaux de nettoyage ou d'entretien réguliers.

## UNE QUESTION ? UN COMMENTAIRE ?

PAYS	N° DE TÉLÉPHONE	SITE INTERNET
U.S.A Consumer Electronics	1-800-SAMSUNG (726-7864)	<a href="http://www.samsung.com/us/support">www.samsung.com/us/support</a>
CANADA	1-800-SAMSUNG(726-7864)	<a href="http://www.samsung.com/ca/support">www.samsung.com/ca/support</a> (English) <a href="http://www.samsung.com/ca_fr/support">www.samsung.com/ca_fr/support</a> (French)



DG68-00862A-09