

# Electric Range installation manual

imagine the possibilities

Thank you for purchasing this Samsung product.

**SAMSUNG**

# before you begin

## ANTI-TIP DEVICE



**WARNING:** To reduce the risk of tipping the appliance, the appliance must be secured by properly installed anti-tip devices packed with the appliance.



- a) A child or adult can tip the range and be killed.
- b) Install the anti-tip device to the structure and/or the range at rear right (or rear left) of the range bottom.
- c) Engage the range to the anti-tip device by leveling leg at rear right (or rear left) of the range bottom.
- d) Re-engage the anti-tip device if the range is moved.
- e) See installation instructions for details.
- f) Failure to do so can result in death or serious burns to children or adults.

## ABOUT THIS MANUAL

### READ THESE INSTRUCTIONS COMPLETELY AND CAREFULLY.

#### Important note to the installer

- Read all instructions contained in these installation instructions before installing range.
- Remove all packing materials from the oven compartments before connecting the electrical supply to the range.
- Observe all governing codes and ordinances.
- Be sure to leave these instructions with the consumer.

#### Important note to the consumer

##### Keep these instructions for the local electrical inspector's use.

- As when using any appliance generating heat, there are certain safety precautions you should follow.
- Be sure your range is installed and grounded properly by a qualified installer or service technician.
- Make sure the wall coverings around the range can withstand the heat generated by the range.
- To eliminate the need to reach over the surface elements, cabinet storage space above the elements should be avoided.
- The range should not be placed on a base.

## FOR YOUR SAFETY



**WARNING** If the information in this manual is not followed exactly, a fire or electrical shock may result causing property damage, personal injury or death.



**WARNING** Before beginning the installation, switch power off at the service panel and lock the service disconnecting means to prevent power from being switched on accidentally. When the service disconnecting means cannot be locked, securely fasten a prominent warning device, such as a tag, to the service panel.



**WARNING** This appliance must be properly grounded.

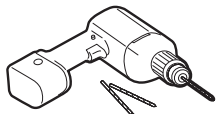
# preparing to install the range

## REMOVE PACKAGING

Remove packaging materials. Failure to remove packaging materials could result in damage to the appliance.

## PREPARE TOOLS & PARTS

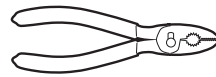
### What tools you will need



Drill



Adjustable Wrench



Pliers



1/4" Nut Driver



Phillips Screwdriver



Flat Screwdriver



Pencil



Level

### What's included with your range



Template



Anti-Tip Bracket



Screws (4 ea)



**4-Wire Cord or 3-Wire Cord**  
(UL Approved 40 or 50 AMP)

### What's not included



**Strain Relief**  
(For Conduit Installation Only)

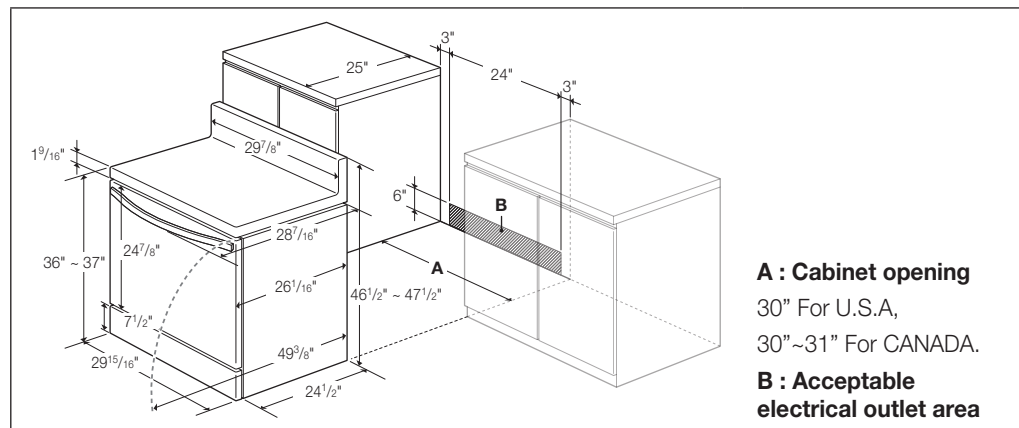
## CHECKING THE INSTALLATION SITE

### Clearances and dimensions

To install the range, refer to the following figure.

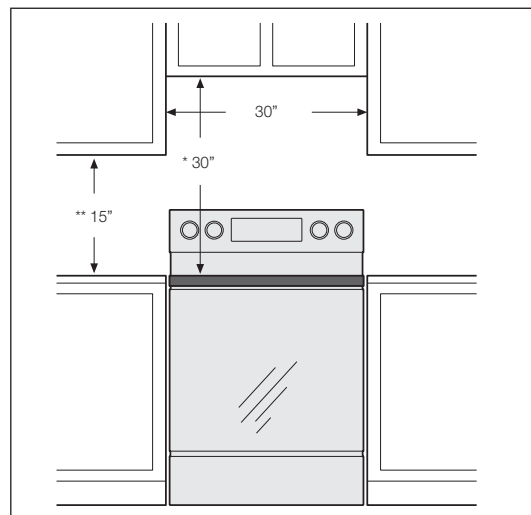
**For installation in CANADA, a Free-standing range is not to be installed closer than 12mm from any adjacent surface.**

**CAUTION** This range has been designed to comply with the maximum allowable wood cabinet temperatures of 194°F. Make sure the wall covering, countertops and cabinets around the range can withstand the heat (up to 194°F) generated by the range. If not, discoloration, delamination or melting may occur.



### Minimum dimensions

**★ IMPORTANT** To eliminate the risk of burns or fire caused by reaching over heated surface units, cabinet storage space located above the surface units should be avoided. If cabinet storage is to be provided, the risk can be reduced by installing a range hood that projects horizontally a minimum of 5" beyond the bottom of the cabinets.



- \* 30" minimum clearance between the top of the cooking surface and the bottom of an unprotected wood or metal cabinet; or 24" minimum when the bottom of the wood or metal cabinet is protected by not less than 1/4" flame retardant millboard covered with not less than no.28 MSG sheet steel, 0.015" stainless steel, 0.024" aluminum or 0.020" copper.
- \*\* 15" minimum between the countertop and the adjacent cabinet bottom.

# connecting the power

## STEP 1. MEETING ELECTRICAL CONNECTION REQUIREMENTS



**CAUTION** For personal safety, do not use an extension cord with this appliance. Remove house fuse or open circuit breaker before beginning installation.

This appliance must be supplied with the proper voltage and frequency, and connected to an individual properly grounded branch circuit, protected by a circuit breaker or fuse having amperage as specified on the rating plate. The rating plate is located above the drawer on the oven frame. **(Fig. 1 or Fig. 2)**

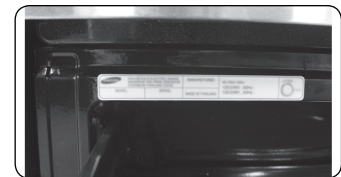
We recommend you have the electrical wiring and hookup of your range connected by a qualified electrician. After installation, have the electrician show you where your main range disconnect is located.

Check with your local utilities for electrical codes which apply in your area. Failure to wire your oven according to governing codes could result in a hazardous condition. If there are no local codes, your range must be wired and fused to meet the requirements of the National Electrical Code, ANSI/NFPA No. 70–Latest Edition. You can get a copy by writing:

National Fire Protection Association  
Batterymarch Park  
Quincy, MA 02269



(Fig. 1)



(Fig. 2)

**Effective January 1, 1996, the National Electrical Code requires that new construction (not existing) utilize a 4-conductor connection to an electric range.**

**When installing an electric range in new construction, follow Steps 2 and 3 for 4-wire connection.**

You must use a 3-wire or 4-wire, single-phase A.C. 208Y/120 Volt or 240/120 Volt, 60 hertz electrical system.

If the electrical service provided does not meet the above specifications, have a licensed electrician install an approved outlet.

Use only a 3-conductor or a 4-conductor UL-listed range cord. These cords may be provided with ring terminals on wire and a strain relief device.

A range cord rated at 40 amps with 125/250 minimum volt range is required. A 50 amp range cord is not recommended but if used, it should be marked for use with nominal 1 $\frac{3}{8}$ " diameter connection openings. Care should be taken to center the cable and strain relief within the knockout hole to keep the edge from damaging the cable.

- Because range terminals are not accessible after range is in position, flexible service conduit or cord must be used.



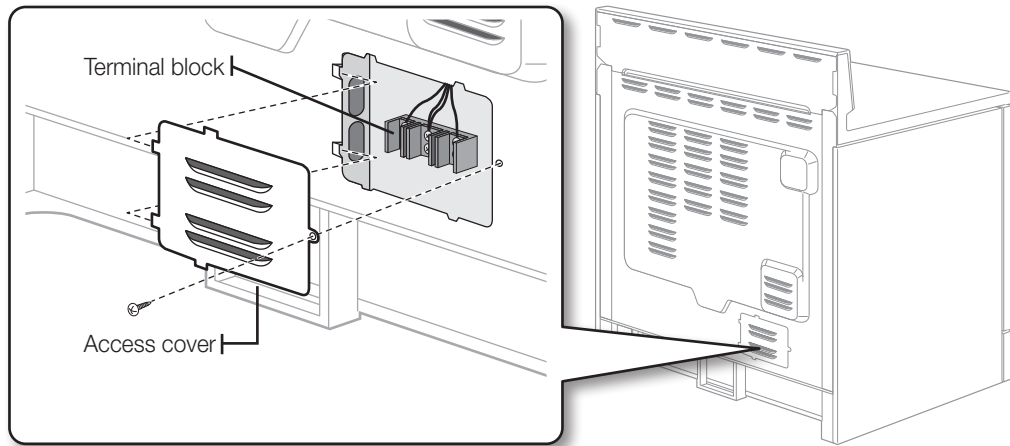
**NOTE** If conduit is being used, go to Step 4 on page 9.



**ALL NEW BRANCH-CIRCUIT CONSTRUCTIONS, MOBILE HOMES, RECREATIONAL VEHICLES AND INSTALLATIONS WHERE LOCAL CODES DO NOT ALLOW GROUNDING THROUGH NEUTRAL, REQUIRE A 4-CONDUCTOR UL-LISTED RANGE CORD.**

## STEP 2. ACCESSING THE POWER CORD CONNECTION

Remove the rear access cover and loosen the screw with a screwdriver. The terminal block will then be accessible.

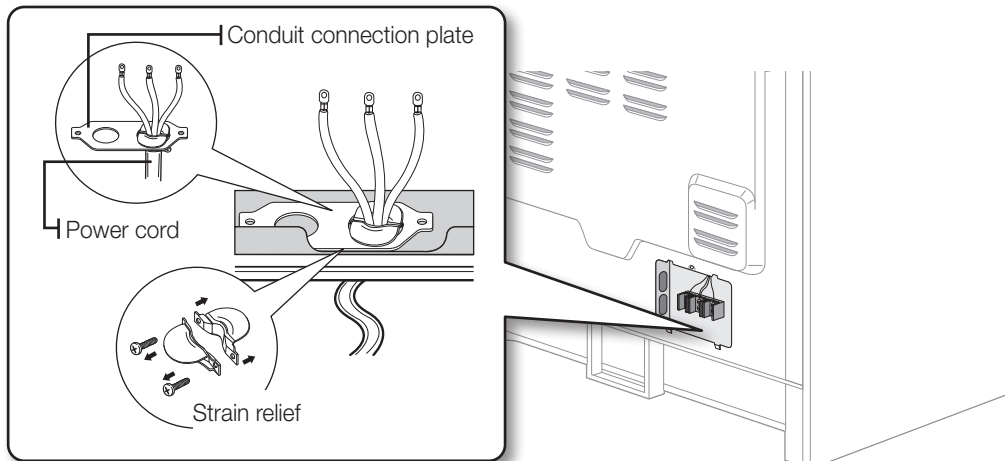


### Specified power-supply-cord kit rating

Range rating, watts	Specified rating of power-supply-cord kit, amperes	Diameter (inches) of range connection opening	
		Power cord	Conduit
120/240 volts 3-wire	40 or 50A	1 <sup>3</sup> / <sub>8</sub> "	1 <sup>1</sup> / <sub>8</sub> "
8,750 - 16,500			

## STEP 3. INSTALLING THE POWER CORD

For power cord installations, hook the strain relief over the power cord hole ( $1\frac{3}{8}$ " ) located below the rear of the drawer body. Insert the power cord through the strain relief and tighten the device.

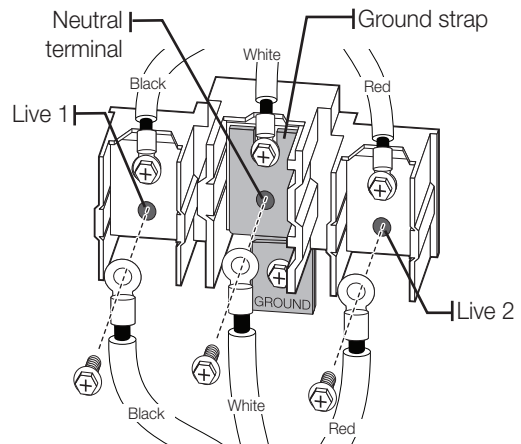


- **You must install the power cord with a strain relief.**
- Attach the strain relief to the  $1\frac{3}{8}$ " opening in conduit connection plate.

### Installing a 3-wire power cord

**WARNING** The neutral or ground wire of the power cord must be connected to the neutral terminal located in the center of the terminal block. The power leads must be connected to the lower left and the lower right terminals of the terminal block.

1. Remove the 3 lower terminal screws from the terminal block.
2. Insert the 3 terminal screws through each power cord terminal ring and into the lower terminals of the terminal block. Be certain that the center wire (white/neutral) is connected to the center lower position of the terminal block.
3. Tighten screws securely into the terminal block. **DO NOT remove the ground strap connection.**
4. Go to **step 5** on page 10 and proceed with the installation.



**CAUTION** You must check voltage after connecting power cord.

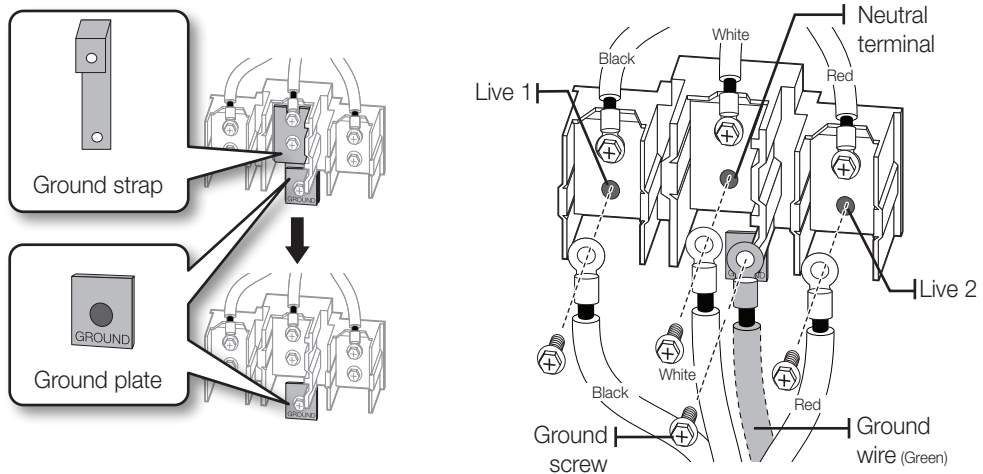
Live 1 - Neutral	120 V
Live 2 - Neutral	120 V
Live 1 - Live 2	208 V / 240 V

## Installing a 4-wire power cord



**WARNING** The neutral wire of the supply circuit must be connected to the neutral terminal located in the lower center of the terminal block. The power leads must be connected to the lower left and the lower right terminals of the terminal block. The 4th grounding lead must be connected to the frame of the range with the ground plate and the ground screw.

1. Remove the 3 lower terminal screws from the terminal block. Remove the ground screw and ground plate and retain them.
2. **Cut and discard the ground strap. Do not discard any screws.**
3. Insert the one ground screw into the power cord ground wire terminal ring, through the ground plate, and into the frame of the range.
4. Insert the 3 terminal screws (removed earlier) through each power cord terminal ring and into the lower terminals of the terminal block. Be certain that the center wire (white/neutral) is connected to the center lower position of the terminal block. Tighten screws securely into the terminal block.
5. Go to **step 5** on page 10 and proceed with the installation.



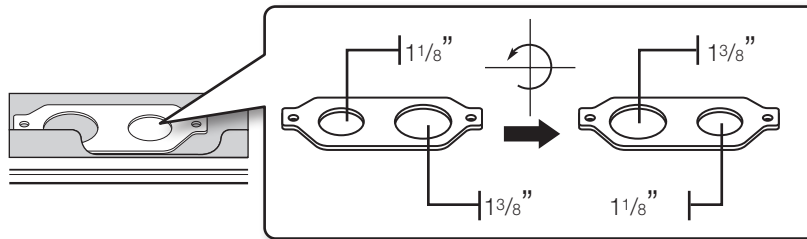
**CAUTION** You must check voltage after connecting power cord.

Live 1 - Neutral	120 V
Live 2 - Neutral	120 V
Live 1 - Live 2	208 V / 240 V

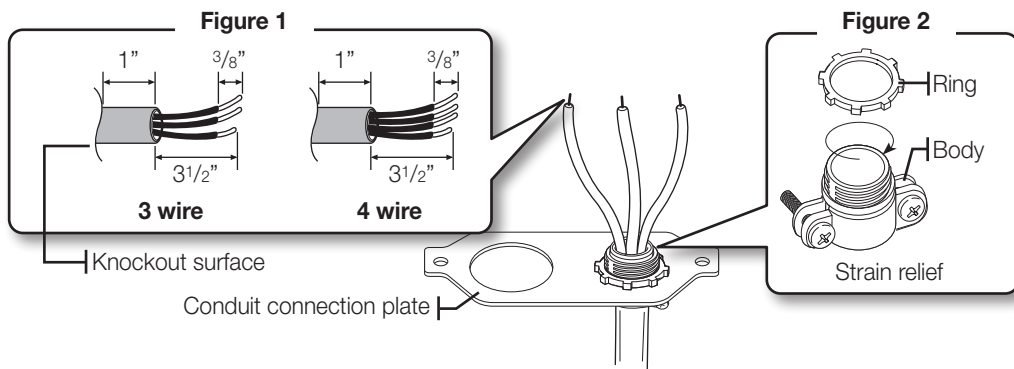


## STEP 4. INSTALLING THE CONDUIT

Remove the conduit connection plate from the rear of the drawer body and rotate it as shown below. The conduit hole (1 $\frac{1}{8}$ "") must be used.



1. Prepare the conduit cord shown in Figure 1.
2. Install the conduit cord as shown in Figure 2.

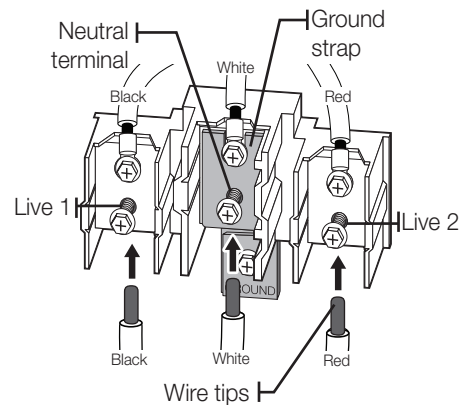


For conduit installations, insert the strain relief (not included) into the conduit hole (1 $\frac{1}{8}$ ""). Then thread the conduit cord through the body of the strain relief and fasten the ring. Reinstall the bracket.

### Installing a 3-wire conduit

- Aluminum building wire may be used but it must be rated for the correct amperage and voltage to make the connection. Connect wires according to Step 4 depending on the number of wires.
- Wire used, location and enclosure of splices, etc., must conform to good wiring practices and local codes.

1. Loosen the 3 lower terminal screws from the terminal block.
2. Insert the center bare wire (white/neutral) tip through the bottom center terminal block opening. On certain models, the wire will need to be inserted through the ground strap opening and then into the bottom center block opening.
3. Insert the two side bare wire tips into the lower left and the lower right terminal block openings.
4. Tighten the screws until the wire is firmly secured (35 to 50 inch-lbs.). Do not over-tighten the screws since it could damage the wires.
5. Go to **step 5** on page 10 and proceed with the installation.

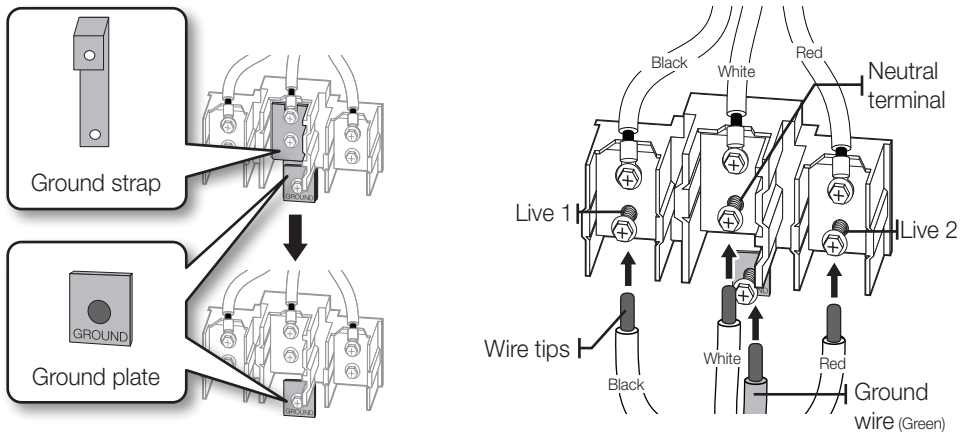


**CAUTION** You must check voltage after connecting power cord.

Live 1 - Neutral	120 V
Live 2 - Neutral	120 V
Live 1 - Live 2	208 V / 240 V

## Installing a 4-wire conduit

- Aluminum building wire may be used but it must be rated for the correct amperage and voltage to make the connection. Connect wires according to this Step 4 depending on the number of wires.
  - Wire used, location and enclosure of splices, etc., must conform to good wiring practices and local codes.
1. Loosen the 3 lower terminal screws from the terminal block. Remove the ground screw and ground plate and retain them.
  2. **Cut and discard the ground strap. Do not discard any screws.**
  3. Insert the ground bare wire tip between the range frame and the ground plate (removed earlier) and secure it in place with the ground screw (removed earlier).
  4. Insert the bare wire (white/neutral) tip through the bottom center of the terminal block opening.
  5. Insert the two side bare wire tips into the lower left and the lower right terminal block openings.
  6. Tighten the screws until the wire is firmly secured (35 to 50 inch-lbs.). Do not over-tighten the screws since it could damage the wires.
  7. Go to **step 5** and proceed with the installation.

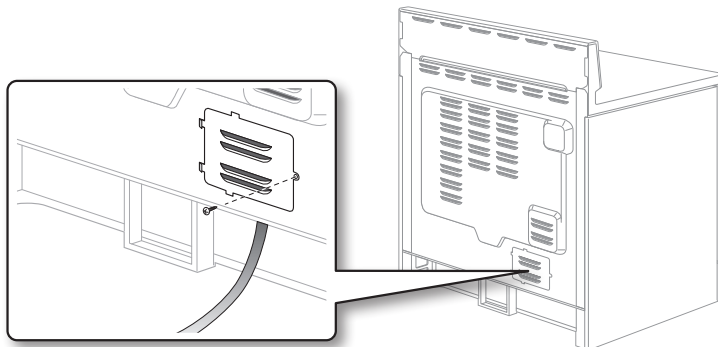


**CAUTION** You must check voltage after connecting power cord.

Live 1 - Neutral	120 V
Live 2 - Neutral	120 V
Live 1 - Live 2	208 V / 240 V

## STEP 5. REPLACING THE ACCESS COVER

Replace the access cover on the range back. To replace the wire cover, insert double projections in the pockets located below the opening and tighten the screw.



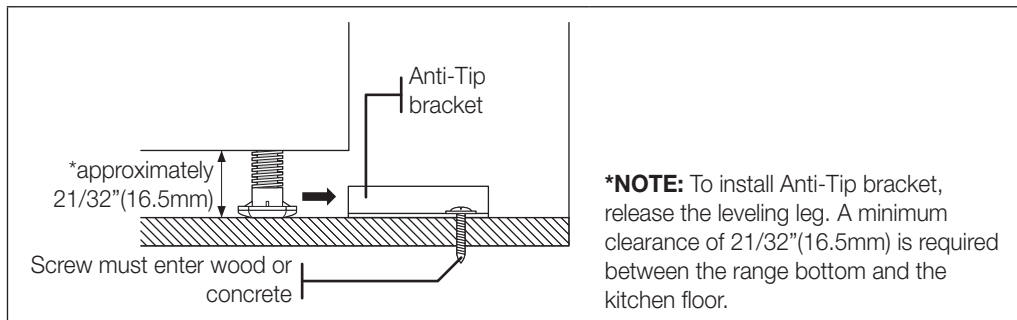
# installing the range

## INSTALLING THE ANTI-TIP DEVICE



**WARNING** To reduce the risk of tipping, the appliance must be secured by properly installing the Anti-Tip device packed with the appliance.

- Refer to the installation instructions supplied with the bracket.
- Unless properly installed, the range could be tipped by stepping or sitting on the door. Injury may result from spilled hot liquids or from the range itself.

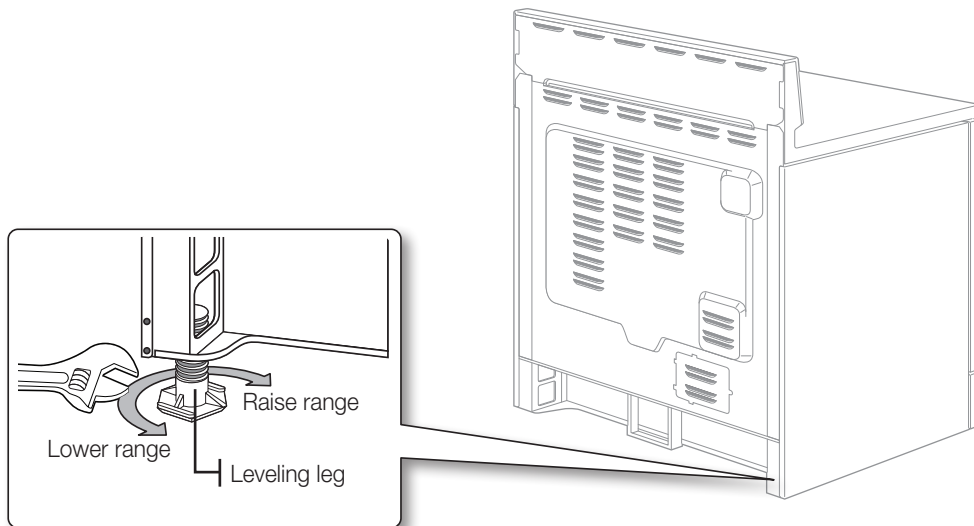


### 1. Locate the bracket using the template

The Anti-Tip bracket is packaged with a template. The instructions include information necessary to complete the installation. Read and follow the instructions on the sheet (template) for range installation.

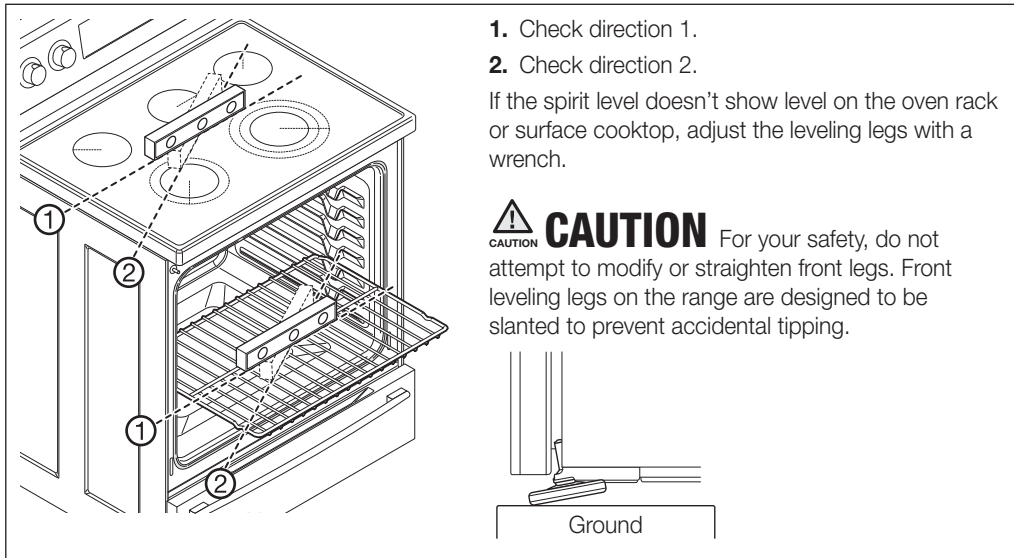
### 2. Level the range

Level the range by adjusting the leveling legs with a wrench.



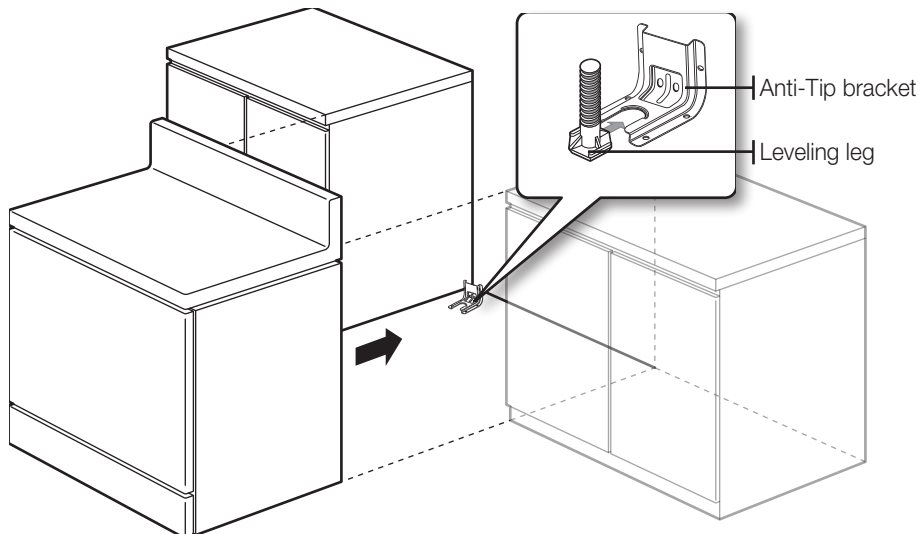
### 3. Check your adjustments

Use a spirit level to check your adjustments. Place the level diagonally on the oven rack or surface cooktop, and check each direction for level.



## FINALIZING THE INSTALLATION

- Move range close enough to the opening to plug into the receptacle.
- Slide range into position insuring that the rear left(or rear right) leg slides under the Anti-Tip bracket. The range will sit 0" away from the back wall when properly installed.
- Carefully tip the range forward to insure that the Anti-Tip bracket engages the back brace and prevents tip-over.
- Turn on the electrical power. Check the range for proper operation as described in the user manual.



# SAMSUNG



DG68-00109F-08

English - 12

# Cuisinière électrique

## Manuel d'installation

un monde de possibilités

Nous vous remercions d'avoir choisi ce produit Samsung.

**SAMSUNG**

# avant de commencer

## DISPOSITIF ANTI-BASCULEMENT



**AVERTISSEMENT** : Pour réduire le risque de basculement de l'appareil, ce dernier doit être sécurisé à l'aide des dispositifs anti-basculement correctement installés, fournis dans l'emballage.



- a) Un enfant ou un adulte peut renverser la cuisinière et être tué.
- b) Installez le dispositif anti-basculement sur la structure et/ou la cuisinière, côté arrière droit (ou arrière gauche) de la partie inférieure de la cuisinière.
- c) Engagez la cuisinière dans le dispositif anti-basculement avec le pied réglable côté arrière droit (ou arrière gauche) de la partie inférieure de la cuisinière.
- d) Réengagez le dispositif anti-basculement si la cuisinière s'est déplacée.
- e) Voir les instructions d'installation pour plus de détails.
- f) Le non-respect de ces consignes peut occasionner la mort ou de graves blessures, pour les enfants comme pour les adultes.

## A PROPOS DE CE MANUEL

### LISEZ ENTIÈREMENT ET ATTENTIVEMENT CES INSTRUCTIONS.

#### Note importante destinée à l'installateur

- Lisez l'intégralité des consignes d'installation avant d'installer la cuisinière.
- Retirez tous les éléments d'emballage des compartiments du four avant de raccorder la cuisinière à l'alimentation électrique.
- Respectez tous les codes et règlements en vigueur.
- Assurez-vous de laisser ces instructions à l'utilisateur.

#### Note importante destinée à l'utilisateur

#### Conservez précieusement ces instructions afin que la personne chargée du contrôle électrique puisse s'y reporter.

- Comme pour tout appareil générant de la chaleur, certaines consignes de sécurité sont à respecter.
- Assurez-vous que votre appareil est correctement installé et mis à la terre par un installateur qualifié ou un technicien spécialisé.
- Assurez-vous que les revêtements muraux situés à proximité de l'appareil peuvent résister à la chaleur générée par celui-ci.
- Pour ne pas avoir à accéder à l'espace au-dessus des éléments de cuisson, évitez d'y aménager des meubles de rangement.
- La cuisinière ne doit pas être placée sur un socle.

## POUR VOTRE SÉCURITÉ



**AVERTISSEMENT** Si vous ne respectez pas scrupuleusement les informations contenues dans ce manuel, vous risquez de provoquer un incendie ou un choc électrique et, par conséquent, des dégâts matériels, blessures ou accidents mortels.



**AVERTISSEMENT** Avant de démarrer l'installation, coupez l'alimentation au panneau de commande et verrouillez les dispositifs de débranchement de la mise en service ; cette précaution évitera toute mise sous tension accidentelle de l'appareil. Si vous ne parvenez pas à verrouiller les moyens de débranchement de la mise en service, fixez fermement au panneau de commande un dispositif d'alarme bien visible.



**AVERTISSEMENT** Cet appareil doit être correctement mis à la terre.

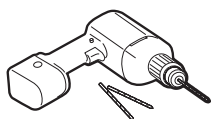
# préparation avant l'installation de la cuisinière

## RETRAIT DE L'EMBALLAGE

Retirez le matériel d'emballage. Tout matériel d'emballage non retiré risque d'endommager l'appareil.

## PREPARATION DES OUTILS ET DES PIECES

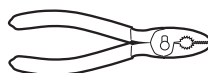
### Outils nécessaires



Perceuse



Clé à molette



Pince



Tournevis à douille de 1/4"



Tournevis cruciforme



Tournevis plat



Crayon

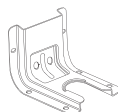


Niveau

### Accessoires fournis



Modèle



Support anti-basculement



Vis (4 ch)



**Cordon 4 fils ou 3 fils**  
(homologué UL 40 ou 50 AMP)

### Accessoires non fournis



**Protection contre la traction**  
(pour le branchement des gaines uniquement)

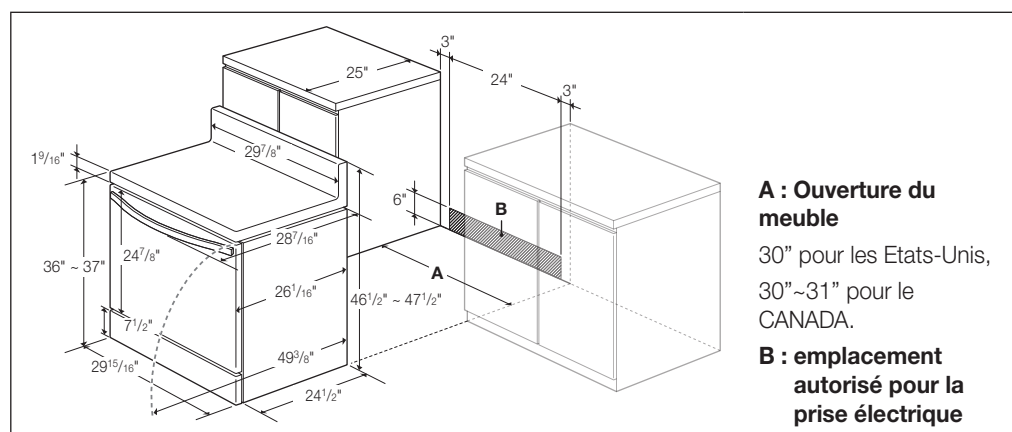
## VÉRIFICATION DU LIEU D'INSTALLATION

### Dégagements et dimensions

Pour procéder à l'installation de la cuisinière, reportez-vous au schéma suivant.

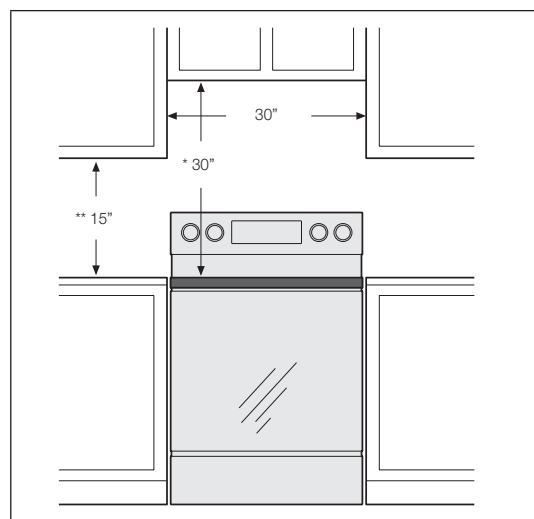
**Concernant les installations au CANADA, une cuisinière non encastrable ne peut pas être installée à moins de 12 mm de toute surface adjacente.**

**ATTENTION** Cette cuisinière a été conçue pour supporter une température maximale de 194 °F, température maximale autorisée pour toute structure en bois. Assurez-vous que le revêtement mural, les plans de travail et les meubles voisins peuvent résister à la chaleur (jusqu'à 194 °F) générée par la cuisinière. Dans le cas contraire, des éléments peuvent se décolorer, se décoller ou fondre.



### Dimensions minimales

**★ IMPORTANT** Pour éliminer tout risque de brûlure ou d'incendie lors de l'accès à l'espace situé au-dessus des éléments de cuisson chauds, évitez d'y aménager tout meuble de rangement. Si, toutefois, un meuble de rangement doit être monté, réduisez ce risque en installant une hotte d'aspiration assurant une protection horizontale d'au moins 5" au-delà du dessous du meuble.



\* dégagement minimal de 30" entre le dessus de la table de cuisson et le dessous d'un meuble en métal ou en bois non protégé, ou de 24" minimum si le dessous du meuble en métal ou en bois est protégé par un carton pâte infugeant d'au moins 1/4" recouvert par au moins une feuille d'acier n°28 MSG, d'acier inoxydable de 0.015", d'aluminium de 0.024" ou de cuivre de 0.020".

\*\* 15" minimum entre le plan de travail et le dessous du meuble adjacent.



# Mise sous tension

## ETAPE 1 : RESPECT DES EXIGENCES EN MATIERE DE RACCORDEMENTS ELECTRIQUES



**ATTENTION** Pour votre sécurité, n'utilisez pas de rallonge pour brancher l'appareil. Retirez le fusible de l'installation électrique ou ouvrez le disjoncteur avant de démarrer l'installation.

Cet appareil doit être alimenté par la fréquence et la tension adaptées. Il doit également être branché sur un circuit individuel correctement mis à la terre et protégé par un disjoncteur ou un fusible dont l'ampérage est conforme à celui spécifié sur la plaque signalétique de l'appareil. La plaque signalétique est située au-dessus du tiroir sur la structure du four. **(Fig. 1 ou Fig. 2)**

Nous vous recommandons de confier le câblage et le branchement électriques de votre cuisinière à un électricien qualifié. Une fois l'installation effectuée, demandez à l'électricien de vous montrer l'emplacement de débranchement principal de votre cuisinière.

Vérifiez auprès de votre service public les codes électriques s'appliquant à votre zone. Le non-respect des codes obligatoires pour le branchement de votre four peut s'avérer dangereux. S'il n'existe pas de codes locaux, votre cuisinière doit être branchée conformément aux exigences du Code national électrique, ANSI/NFPA N° 70 (dernière édition). Vous pouvez en obtenir une copie en adressant un courrier à :

National Fire Protection Association  
Batterymarch Park  
Quincy, MA 02269



(Fig. 1).



(Fig. 2).

**Entré en vigueur le 1er janvier 1996, le Code électrique national exige que toute construction neuve (non existante) doit être équipée d'un branchement à 4 conducteurs pour les cuisinières électriques.**

**Lorsque vous installez une cuisinière électrique dans une construction neuve, suivez les étapes 2 et 3 relatives aux connexions à 4 fils.**

Vous devez utiliser un système électrique à 3 ou 4 fils, monophasé CA de 208Y/120 V ou de 240/120 V (60 Hz).

Si votre installation électrique n'est pas conforme aux spécifications ci-dessus, contactez un électricien agréé afin d'installer une prise homologuée.

Utilisez uniquement un cordon d'alimentation à 3 ou 4 fils figurant dans la liste UL. Ces cordons nécessitent des bornes rondes sur le fil et un dispositif de protection contre la traction.

Un cordon d'alimentation nominale de 40 A et de 125/250 V minimum est indispensable. Il n'est pas recommandé d'utiliser un cordon d'alimentation de 50 A, mais si toutefois vous en avez utilisé un, celui-ci doit être repéré pour être utilisé avec des ouvertures de connexion de diamètre nominal 1 3/8". Veillez à bien centrer le câble et le dispositif de protection contre la traction dans le trou d'éjection afin d'empêcher que le bord n'endommage le câble.

- Etant donné que les prises de la cuisinière sont inaccessibles une fois la cuisinière installée, il est nécessaire d'utiliser une gaine ou un cordon flexible.



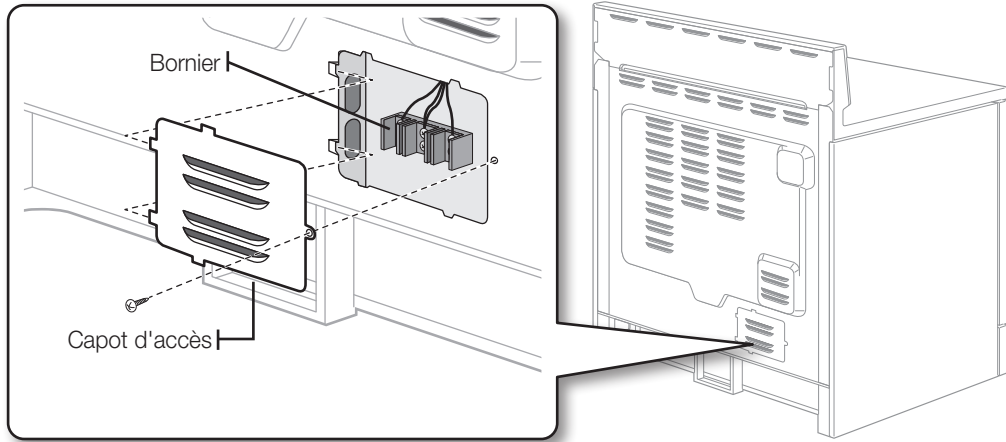
**REMARQUE** Si vous utilisez une gaine, suivez l'étape 4, page 9.



**TOUTES LES CONSTRUCTIONS DONT LES CIRCUITS DERIVES SONT NEUFS, LES MAISONS MOBILES, LES VEHICULES ET LES INSTALLATIONS DE LOISIRS DONT LES CODES LOCAUX NE PERMETTENT PAS UNE MISE A LA TERRE PAR UNE BORNE NEUTRE, NECESSITENT L'UTILISATION D'UN CORDON D'ALIMENTATION A 4 FILS FIGURANT DANS LA LISTE UL.**

## ETAPE 2 : ACCES AU BRANCHEMENT DU CORDON D'ALIMENTATION

Retirez le panneau d'accès situé à l'arrière et desserrez la vis à l'aide d'un tournevis. Vous pourrez alors accéder au bornier.

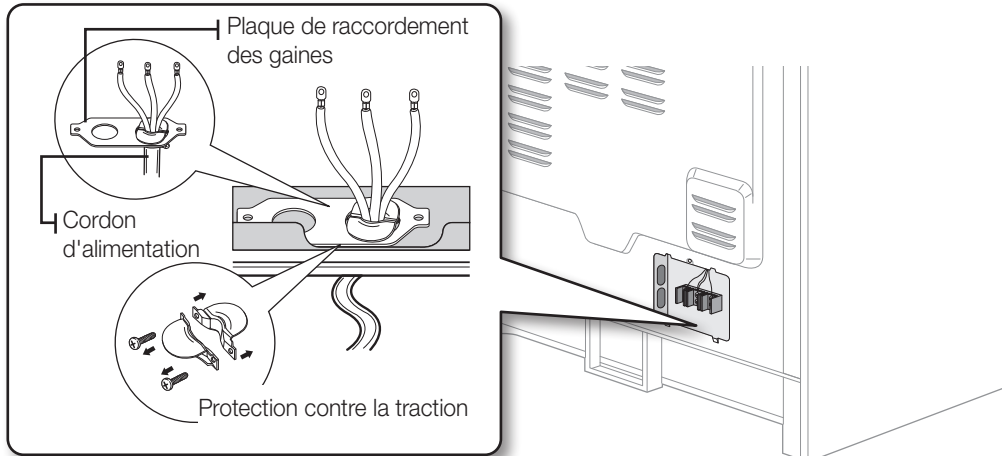


### Classification de l'équipement nécessaire à la mise sous tension

Classification générale, watts	Classification de l'équipement nécessaire à la mise sous tension, ampères	Diamètre (pouces) de l'ouverture de connexion de la cuisinière	
		Cordon d'alimentation	Gaine
120 / 240 volts, 3 fils			
8750 - 16500	40 ou 50 A	1 <sup>3</sup> / <sub>8</sub> "	1 <sup>1</sup> / <sub>8</sub> "

## ETAPE 3 : INSTALLATION DU CORDON D'ALIMENTATION

Pour les installations de cordons d'alimentation, branchez le dispositif de protection de câble sur l'orifice du cordon d'alimentation (1<sup>3/8</sup>" situé sous la partie arrière du tiroir. Insérez le cordon d'alimentation dans le dispositif et serrez-le.



- **Le cordon d'alimentation doit être installé au moyen d'une protection contre la traction.**
- Fixez la protection à l'ouverture 1<sup>3/8</sup>" située dans la plaque de raccordement des gaines.

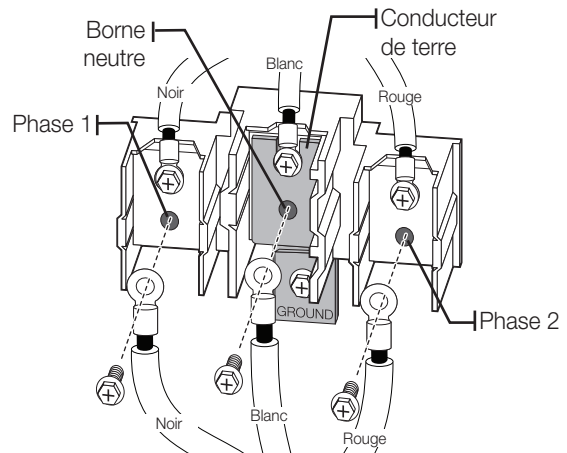
### Installation d'un cordon d'alimentation à 3 fils



AVERTISSEMENT

**AVERTISSEMENT** La prise de terre ou la prise neutre du cordon d'alimentation doit être connectée à la borne neutre située au centre du bornier. Les câbles d'alimentation doivent être connectés aux bornes inférieures gauches et inférieures droites du bornier.

1. Retirez les 3 vis de la borne inférieure du bornier.
2. Insérez les 3 vis de la borne dans les bornes inférieures du bornier en passant par chacun des anneaux de la borne du cordon d'alimentation. Assurez-vous que le fil central (blanc/neutre) est relié à l'emplacement central inférieur du bornier.
3. Serrez fermement les vis dans le bornier.  
**NE retirez PAS la connexion du conducteur de terre.**
4. Reportez-vous à l'**étape 5** de la page 10 et procédez à l'installation.



ATTENTION

**ATTENTION** Vous devez vérifier la tension après avoir branché le cordon d'alimentation.

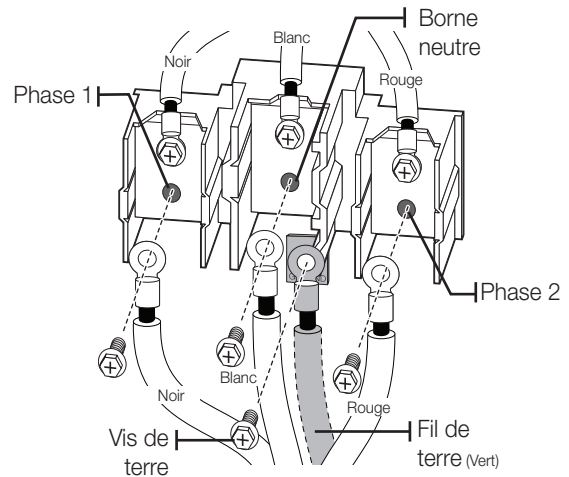
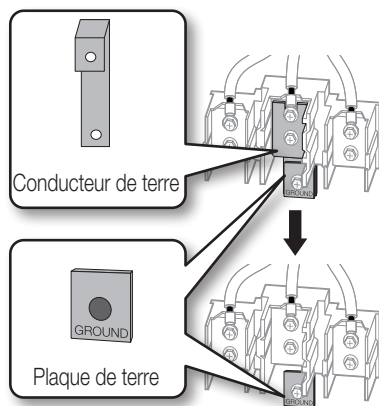
Phase 1 - Neutre	120 V
Phase 2 - Neutre	120 V
Phase 1 - Phase 2	208 V / 240 V

## Installation d'un cordon d'alimentation à 4 fils



**AVERTISSEMENT** La prise neutre du circuit d'alimentation doit être connectée à la borne neutre située au centre inférieur du bornier. Les câbles d'alimentation doivent être connectés aux bornes inférieures gauches et inférieures droites du bornier. Le 4ème câble de mise à la terre doit être connecté au bâti de la cuisinière au moyen de la plaque et de la vis de masse.

1. Retirez les 3 vis de la borne inférieure du bornier. Retirez la vis et la plaque de terre et conservez-les.
2. **Coupez et éliminez le conducteur de terre. Ne jetez aucune vis.**
3. Insérez la première vis de terre dans l'anneau de la borne du fil de mise à la terre du cordon d'alimentation, en passant par la plaque de masse puis dans le bâti de la cuisinière.
4. Insérez les 3 vis de la borne (retirées précédemment) dans les bornes inférieures du bornier en passant par chacun des anneaux de la borne du cordon d'alimentation. Assurez-vous que le fil central (blanc/neutre) est relié à l'emplacement central inférieur du bornier. Serrez fermement les vis dans le bornier.
5. Reportez-vous à l'**étape 5** de la page 10 et procédez à l'installation.

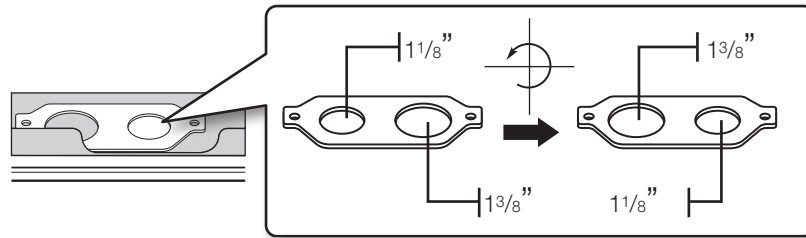


**ATTENTION** Vous devez vérifier la tension après avoir branché le cordon d'alimentation.

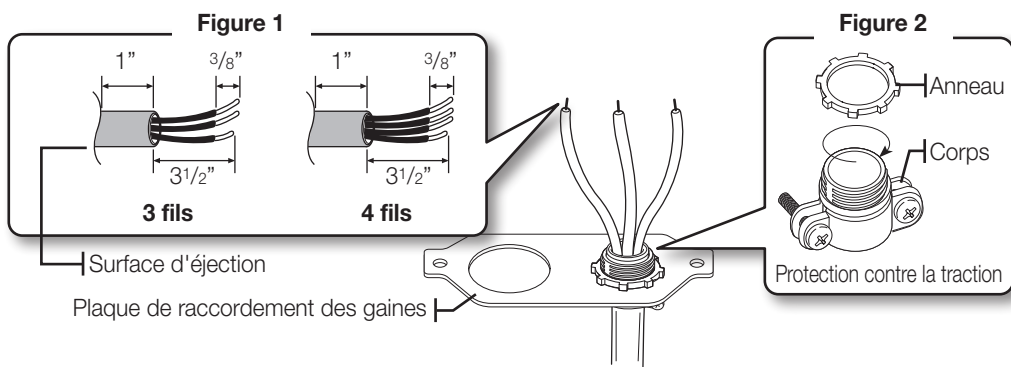
Phase 1 - Neutre	120 V
Phase 2 - Neutre	120 V
Phase 1 - Phase 2	208 V / 240 V

## ETAPE 4 : INSTALLATION DE LA GAINÉ

Retirez la plaque de connexion de la gaine de la partie arrière du tiroir, puis faites-la pivoter comme indiqué ci-dessous. Vous devez utiliser l'orifice de la gaine (1 1/8").



1. Préparez le cordon de la gaine comme le montre la figure 1.
2. Installez le cordon de la gaine comme le montre la figure 2.

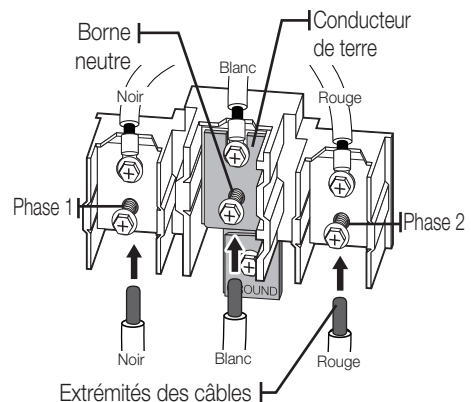


Pour les installations de gaine, insérez le câble de tension (non fourni) dans l'orifice de la gaine (1 1/8"). Faites ensuite passer le cordon de la gaine dans le dispositif de protection, puis serrez l'anneau. Réinstallez le support.

### Installation d'un conduit à 3 fils

- Un fil de bâtiment en aluminium peut être utilisé mais il devra être doté de l'intensité et de la tension nominales correctes permettant d'établir la connexion. Connectez les fils en suivant l'étape 4 selon le nombre de fils utilisé.
- Les fils utilisés, les emplacements, les jonctions de fils, etc. doivent être conformes aux bonnes pratiques de câblage et aux codes locaux.

1. Desserrez les 3 vis de la borne inférieure du bornier.
2. Insérez l'extrémité du fil nu (blanc/neutre) central dans l'emplacement inférieur central de l'ouverture du bornier. Sur certains modèles, le fil devra être inséré dans l'ouverture du conducteur de terre puis dans l'emplacement inférieur central de l'ouverture du bornier.
3. Insérez les deux extrémités de fil nu latérales dans les ouvertures inférieure gauche et inférieure droite du bornier.
4. Serrez les vis jusqu'à fixation complète du fil (35 à 50 pouce-livre). Ne serrez pas excessivement les vis sous peine d'endommager les fils.
5. Reportez-vous à l'étape 5 de la page 10 et procédez à l'installation.

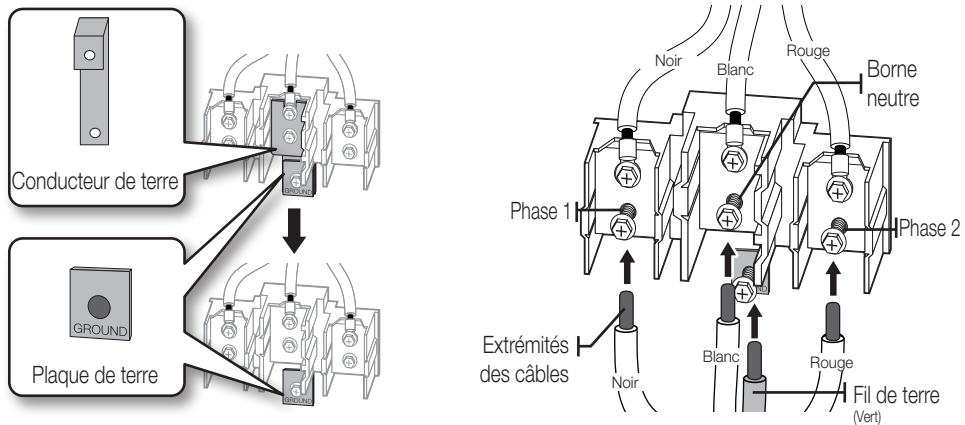


**ATTENTION** Vous devez vérifier la tension après avoir branché le cordon d'alimentation.

Phase 1 - Neutre	120 V
Phase 2 - Neutre	120 V
Phase 1 - Phase 2	208 V / 240 V

## Installation d'un conduit à 4 fils

- Un fil de bâtiment en aluminium peut être utilisé mais il devra être doté de l'intensité et de la tension nominales correctes permettant d'établir la connexion. Connectez les fils en suivant l'étape 4 selon le nombre de fils utilisé.
  - Les fils utilisés, les emplacements, les jonctions de fils, etc. doivent être conformes aux bonnes pratiques de câblage et aux codes locaux.
1. Desserrez les 3 vis de la borne inférieure du bornier. Retirez la vis et la plaque de terre et conservez-les.
  2. **Coupez et éliminez le conducteur de terre. Ne jetez aucune vis.**
  3. Insérez l'extrémité du fil de terre nu entre le bâti de la cuisinière et la plaque de terre (retirée précédemment) et fixez-la à l'aide de la vis de terre (retirée précédemment).
  4. Insérez l'extrémité du fil nu (blanc/neutre) dans l'emplacement inférieur central de l'ouverture du bornier.
  5. Insérez les deux extrémités de fil nu latérales dans les ouvertures inférieure gauche et inférieure droite du bornier.
  6. Serrez les vis jusqu'à fixation complète du fil (35 à 50 pouce-livre). Ne serrez pas excessivement les vis sous peine d'endommager les fils.
  7. Reportez-vous à l'**étape 5** et procédez à l'installation.

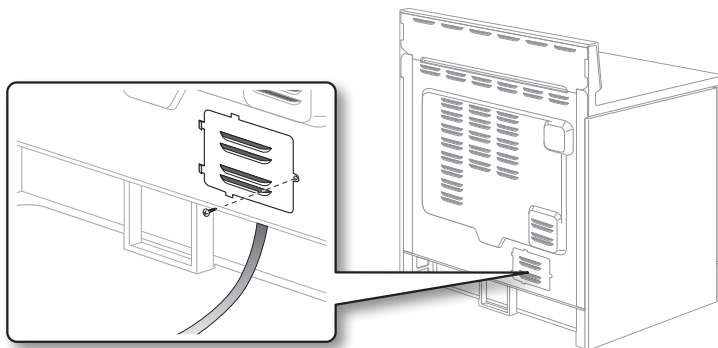


**ATTENTION** Vous devez vérifier la tension après avoir branché le cordon d'alimentation.

Phase 1 - Neutre	120 V
Phase 2 - Neutre	120 V
Phase 1 - Phase 2	208 V / 240 V

## ETAPE 5 : REMISE EN PLACE DU PANNEAU D'ACCES

Remplacez le panneau d'accès à l'arrière de la cuisinière. Pour replacer la protection du câblage, insérez les deux saillies dans les orifices situés sous les ouvertures et serrez la vis.



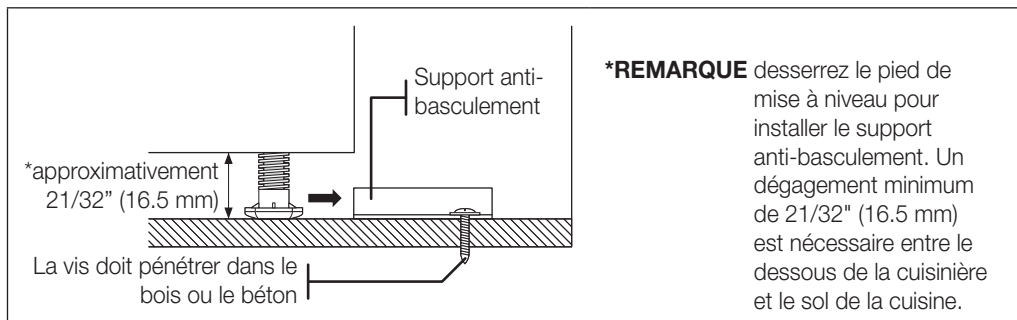
# Installation de la cuisinière

## INSTALLATION DU DISPOSITIF ANTI-BASCULEMENT



**AVERTISSEMENT** Afin de réduire les risques de basculement, fixez la cuisinière en installant correctement le dispositif anti-basculement fourni avec cette dernière.

- Reportez-vous aux consignes d'installation fournies avec le support.
- Si elle n'est pas correctement installée, la cuisinière risque de basculer si vous trébuchez ou vous asseyez sur la porte. Les liquides chauds renversés ou la cuisinière elle-même sont susceptibles de provoquer des blessures.

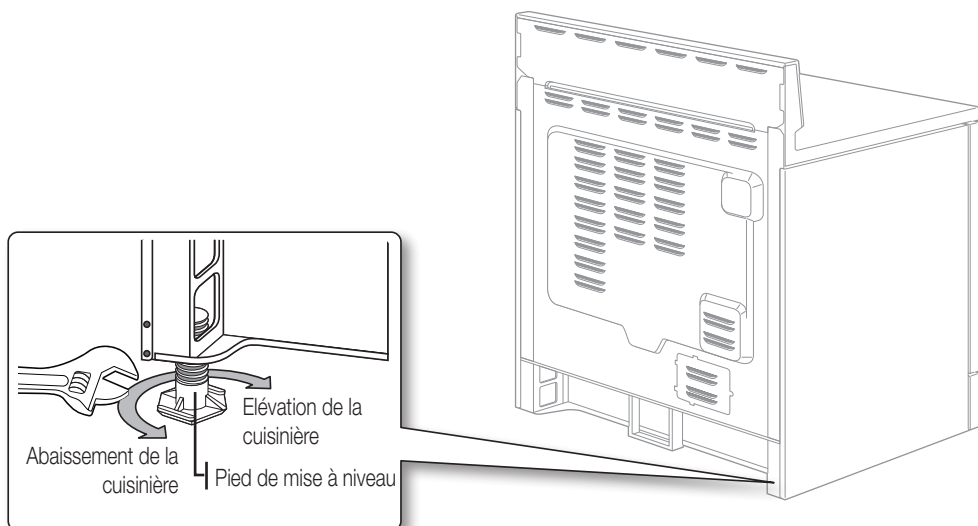


### 1. Déterminez l'emplacement du support à l'aide du modèle.

Le support anti-basculement est fourni avec un modèle. Les consignes comportent les informations nécessaires à l'installation. Lisez et suivez les consignes figurant sur la fiche (modèle) pour l'installation de la cuisinière.

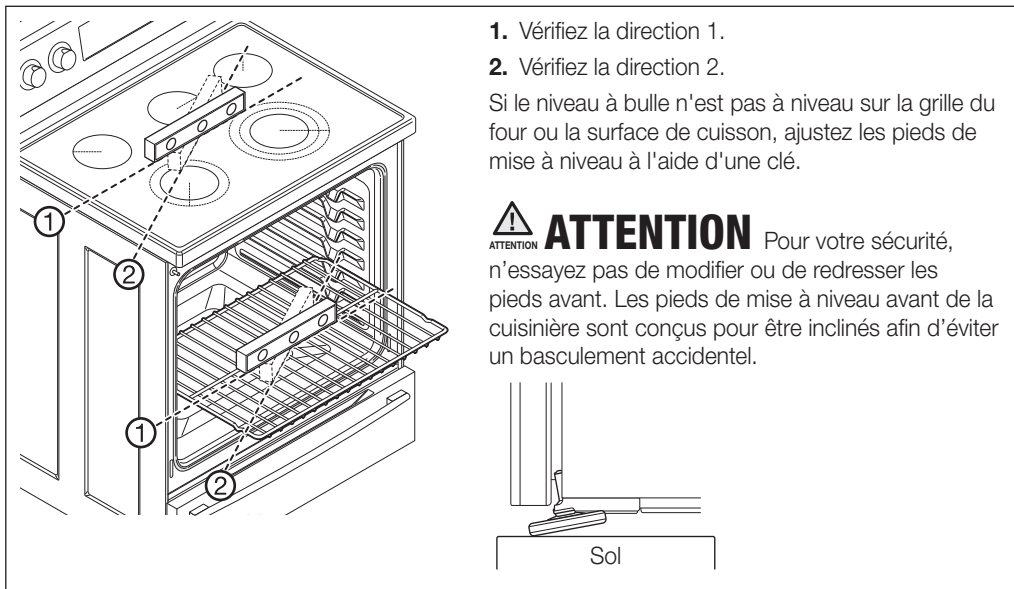
### 2. Mise à niveau de la cuisinière

Mettez la cuisinière à niveau en ajustant les pieds de réglage à l'aide d'une clé.



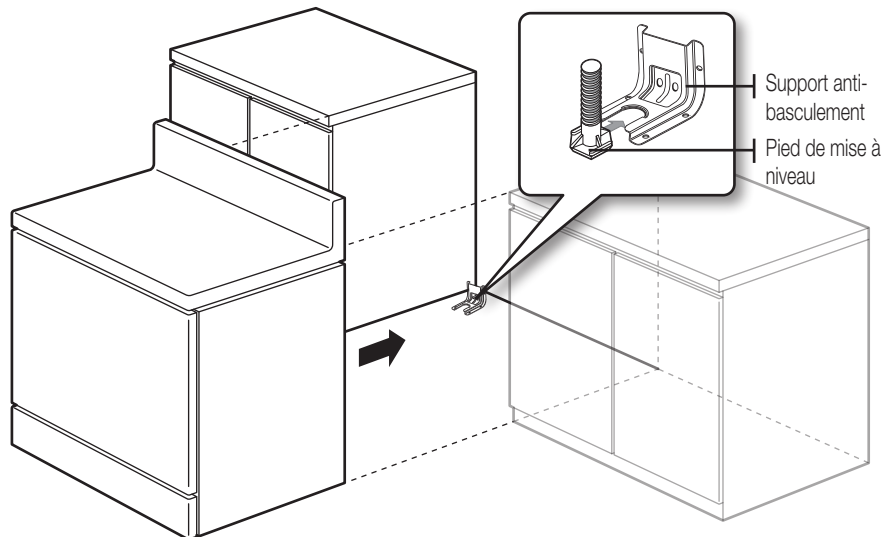
### 3. Vérification des réglages

Utilisez un niveau à bulle pour vérifier vos réglages. Placez le niveau en diagonale sur la grille du four ou la surface de la cuisinière et vérifiez le niveau dans chaque direction.



### MISE AU POINT DE L'INSTALLATION

- Placez la cuisinière suffisamment près de l'ouverture pour permettre le branchement de la prise.
- Positionnez la cuisinière en vous assurant que le pied arrière gauche (ou arrière droit) se place sous le support anti-basculement. La distance entre la cuisinière et le mur doit être de 0" lorsque cette dernière est correctement installée.
- Inclinez avec précaution la cuisinière vers l'avant afin de vous assurer que le support anti-basculement s'emboîte dans la fixation arrière et que la cuisinière ne bascule pas.
- Mettez l'appareil sous tension. Vérifiez que la cuisinière fonctionne correctement comme indiqué dans le manuel d'utilisation.



**SAMSUNG**



DG68-00109F-08

Français canadien - 12