

# ME17H703SHS

1.7 cu. ft. Over-the-Range Microwave

## Features

- 1.7 cu. ft. Oven Capacity
- 1000 Watts Cooking Power
- 300 CFM Ventilation System
- 10 Power Levels
- Sensor Cook
- Two-Stage Programmable Cooking
- Auto Defrost/Sensor Reheat
- Auto Cook
- MW Distribution Mechanism: Turntable and Stirrer

## Convenience

- Clock (12hr/24hr) with Daylight Savings Time Adjustment
- Kitchen Timer
- End Signal
- Interior Light: Incandescent (1)
- Cooktop Lighting (Incandescent): High/Low/Off
- Vent Fan Control: On/Off/Delay Off
- Child Safety Lock
- Sound On/Off
- Eco Mode (Reduces Standby Power)



Sensor Cook



300 CFM Ventilation System

## Available Colors



Stainless Steel  
(shown)



White



Black

## Signature Features

### SENSOR COOKING

- Whether it's the soup you just bought, last night's leftover pasta, or a frozen dinner, Sensor Cook does the thinking for you so that you get optimally heated results every time.

### LED DISPLAY

- Features a digital, blue LED Display, complementing any kitchen décor.

### 300 CFM VENTILATION SYSTEM

- Powerful 300 CFM ventilation fan quickly and quietly eliminates food odors.



Ranked **"Highest in Customer Satisfaction with Over the Range Microwaves."**\*

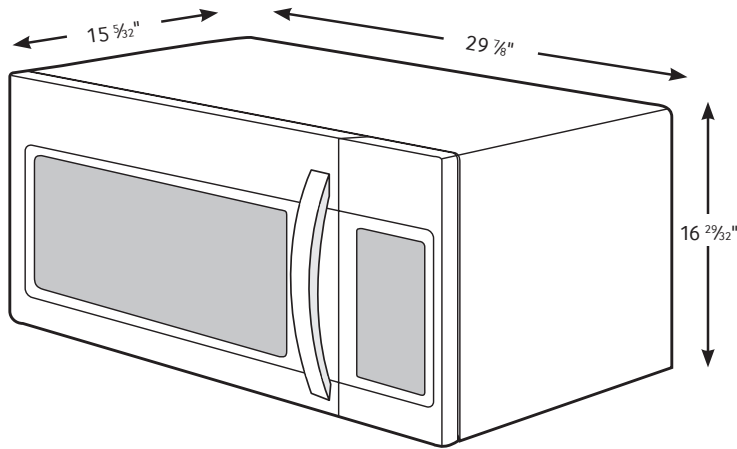
—J.D. Power

**SAMSUNG**

# ME17H703SHS

1.7 cu. ft. Over-the-Range Microwave

## Dimensions

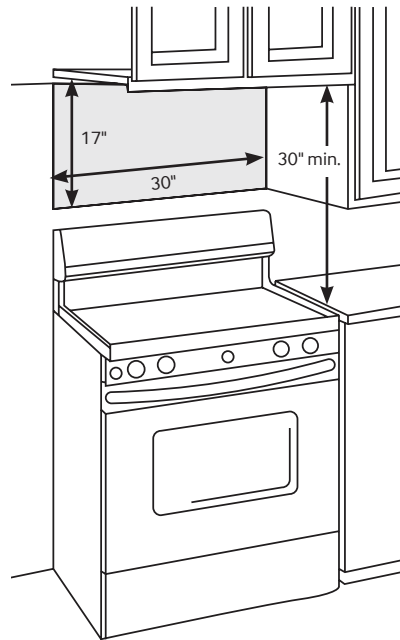


## Installing your Microwave

• This microwave oven is designed for adaptation to the following three types of ventilation:

- A. Outside Top Exhaust (Vertical Duct)
- B. Recirculating (Non-Vented Ductless)
- C. Outside Back Exhaust (Horizontal Duct)

- The space between the cabinets must be 30" wide and free of obstructions.
- This microwave oven is for installation over ranges up to 36" wide.
- The microwave must be level. Use a level to make sure the cabinet bottom is level. If the cabinets have a front overhang only, with no back or side frame, install the mounting plate down the same distance as the front overhang depth. This will keep the microwave level.



## Specifications

- Oven Cavity: 1.7 cu. ft.
- Power Output: 1000 W
- Power Consumption: 1580 W/13.5 A
- Power Source: 120 V/60 Hz
- Control Method: Digital (Membrane Touch)
- Display: LED
- Cooking Control: 10 Power Levels Including Defrost and Sensor Cook
- Cooking Timer: Digital, up to 99 Minutes, 99 Seconds
- Microwave Distribution System: Rotating Turntable + Stirrer
- Glass Turntable Diameter: 11 1/2"
- Vent Fan: 300 CFM
- Vent Fan Control: On/Off/Delay Off
- Cooktop Lighting: High/Low/Off

## Warranty

One (1) Year All Parts and Labor  
Ten (10) Years Parts on Magnetron

## Product Dimensions & Weight (WxHxD)

Cavity Dimensions:  
20 11/16" x 9 5/8" x 14 3/8"

Outside Net Dimensions:  
29 7/8" x 16 29/32" x 15 5/32"

Weight: 47.1 lbs. (Stainless)  
46.3 lbs. (White, Black)

## Shipping Dimensions & Weight (WxHxD)

Dimensions:  
33 3/8" x 19 13/32" x 20 5/32"

Weight: 54.5 lbs. (Stainless)  
53.2 lbs. (White, Black)

Color	Model #	UPC Code
Stainless Steel	ME17H703SHS	887276689234
White	ME17H703SHW	887276690858
Black	ME17H703SHB	887276690841

FOR EASIER INSTALLATION AND PERSONAL SAFETY, WE RECOMMEND THAT TWO PEOPLE INSTALL THIS MICROWAVE OVEN. IMPORTANT: Do not grip or use handle during installation.

NOTE: If your cabinet is metal, use the nylon grommet around the power cord hole to prevent cutting of the cord.

NOTE: We recommend using filler blocks if the cabinet front hangs below the cabinet bottom shelf.

IMPORTANT: If filler blocks are not used, case damage may occur from over tightening screws.

NOTE: When mounting the microwave oven, thread power cord through hole in bottom of top cabinet. Do not pinch cord or lift oven by pulling cord.

\*Samsung received the highest numerical score for over the range microwaves in the proprietary J.D. Power 2014 Kitchen Appliance Study<sup>SM</sup>. Study based on 15,380 total responses measuring 15 over the range microwave brands and measures opinions of consumers about their new appliance purchased in the past 24 months. Proprietary study results are based on experiences and perceptions of consumers surveyed in January-March 2014. Your experiences may vary. Visit [jdpower.com](http://jdpower.com).

Actual color may vary. Design, specifications, and color availability are subject to change without notice. Non-metric weights and measurements are approximate.

©2014 Samsung Electronics America, Inc. 85 Challenger Road, Ridgefield Park, NJ 07660. Tel: 800-SAMSUNG. [samsung.com](http://samsung.com). Samsung is a registered trademark of Samsung Electronics Co. Ltd.

**SAMSUNG**