

DV45H7000GW

Samsung Top-Load Gas Dryer

7.4 cu. ft. Capacity DOE

Features

- 9 Preset Drying Cycles
- 5 Options
- 3 Temperature Settings
- 3-Way Venting
- Sensor Dry – Detects Moisture and Adjusts Drying Time

Convenience

- Child Lock
- Filter Check Indicator



Sensor Dry



9 Drying Cycles

Available Color



White

Signature Features

SENSOR DRY

- Automatically adjusts drying time by sensing moisture so your clothes don't over or under dry.

9 DRYING CYCLES

- Multiple cycles for better drying include:

Normal	Heavy Duty	Permanent Press
Bedding	Delicates	Sanitize
Time Dry	Quick Dry	Wrinkle Release

7.4 CU. FT. CAPACITY

- With 7.4 cu. ft. capacity, you can dry more laundry in less time.



SAMSUNG

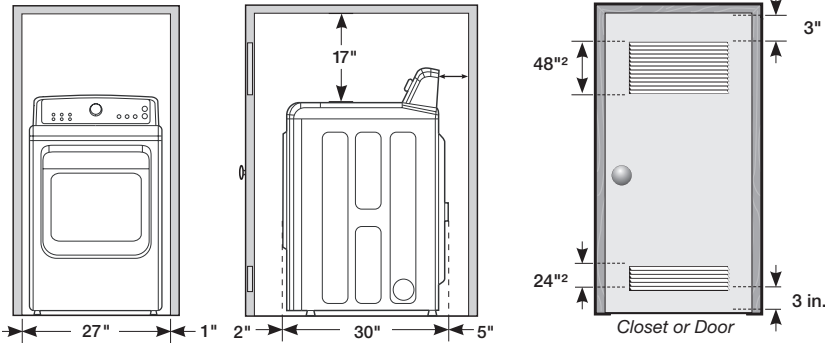
DV45H7000GW

Samsung Top-Load Gas Dryer

Installing Your Dryer

Recessed Area

Side View Confined

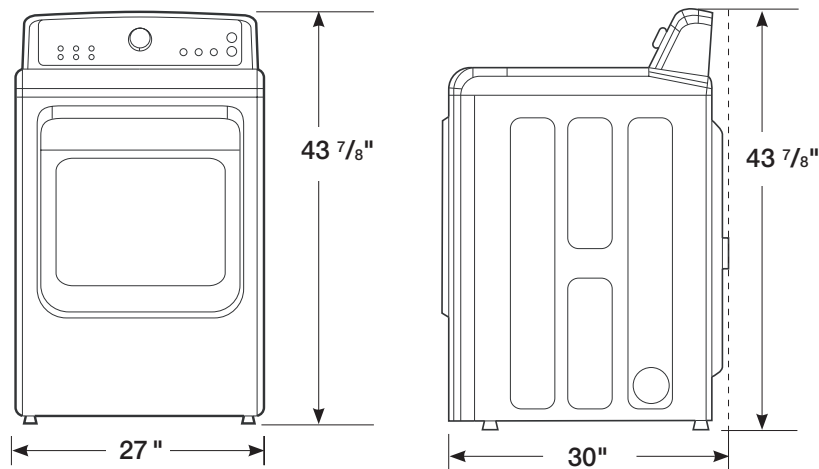


Minimum clearances for closets and alcove:

Sides - 1"
Top - 17"
Rear - 5"
Closet Front - 2"

If the washer and dryer are installed together, the closet front must have at least a 72 in² (465cm²) unobstructed air opening. Your washer alone does not require a specific air opening.

Dimensions



7.4 cu. ft. Capacity DOE

3-Way Venting

9 Preset Dry Cycles:

Normal, Heavy Duty, Permanent Press, Bedding, Delicates, Sanitize, Time Dry, Quick Dry, Wrinkle Release

5 Options:

Mixed Load Bell, Wrinkle Prevent, Adjust Time, Child Lock, Sound On/Off

3 Temperature Settings:

High, Medium, Low

4 Dry Levels:

Very Dry, More Dry, Normal Dry, Damp Dry

2 Signal Level Settings:

On/Off

Warranty

One (1) Year All Parts and Labor

Two (2) Years Control Board

Product Dimensions & Weight (WxHxD)

Dimensions: 27" x 43 7/8" x 30"

Weight: 121 lbs

Shipping Dimensions & Weight (WxHxD)

Dimensions: 29 1/2" x 46 1/2" x 31 1/8"

Weight: 130 lbs

Gas	Model #	UPC Code
White	DV45H7000GW	887276963891

Electric	Model #	UPC Code
White	DV45H7000EW	887276963877

Matching Washer

White	WA45M7050AW	887276196398
-------	-------------	--------------

SAMSUNG

Actual color may vary. Design, specifications, and color availability are subject to change without notice. Non-metric weights and measurements are approximate.

©2017 Samsung Electronics America, Inc. 85 Challenger Road, Ridgefield Park, NJ 07660. Tel: 800-SAMSUNG. samsung.com. Samsung is a registered trademark of Samsung Electronics Co. Ltd.