

WA45H7200AW

Samsung Top-Load Washer

4.5 cu. ft. Capacity DOE

Features

- AquaJet™
- Smart Care
- Diamond Drum™ Design
- Self Clean
- 11 Preset Wash Cycles with 7 Options
- VRT™ – Vibration Reduction Technology
- 1000 rpm Maximum Spin Speed
- Stainless Steel Pulsator
- Direct Drive Mechanism Motor
- LED Display: Ice Blue
- Door Lid: Chrome Deco Tinted Glass

Convenience

- Child Lock
- Delay End– Up to 19 Hours
- 5 Temperature Settings
- 4 Spin Settings
- 3 Soil Settings
- Dispenser Trays: Main Wash, Softener, Bleach



ENERGY STAR® rated:

Rated CEE Tier 3

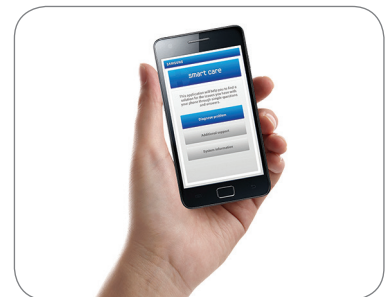
MEF = 2.5

WCF = 3.6

169 kWh/yr



AquaJet™



Smart Care

Available Color



White

Signature Features

AQUAJET™

- The deepest clean.
- Powerful yet gentle water jets thoroughly wash even your biggest loads.
- Provides a better rinse for cleaner clothes.

SMART CARE

- Troubleshoot with your smartphone.
- Perform a quick diagnosis of your washer and dryer right from your smartphone.*

*Available for iPhone 4/4S/5/5S and Galaxy S1/S2/S3/S4 NOTE/NOTE2.

SELF CLEAN

- New self-cleaning technology.
- Keep your top-load washer fresh without the use of harsh chemicals.
- Reminds you to run Self Clean cycle every 40 cycles.



Ranked **“Highest in Customer Satisfaction with Clothes Washers”**
by J.D. Power and Associates.
(5 Consecutive Years)

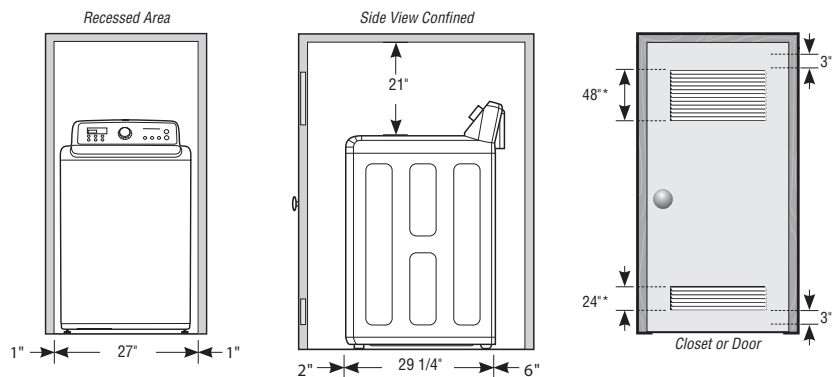
SAMSUNG

WA45H7200AW

Samsung Top-Load Washer

Installing Your Washer

Alcove or closet installation



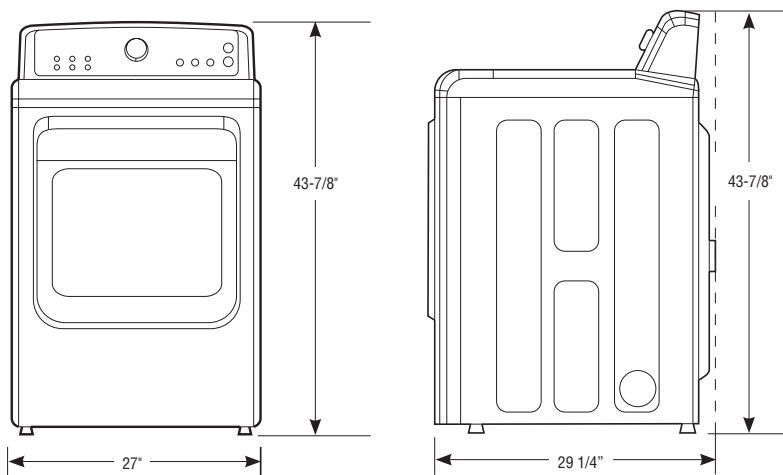
Minimum clearances for closets and alcoves:

Sides – 1"
Top – 21"
Rear – 6"
Closet front – 2"

If the washer and dryer are installed together, the closet front must have at least a 72 in (465 cm) unobstructed air opening. Your washer alone does not require a specific air opening.

* Required spacing.
(External exhaust elbow requires additional space)

Dimensions



4.5 cu. ft. Capacity DOE

11 Preset Wash Cycles:

Normal, Water Proof, Heavy Duty, Permanent Press, Bedding, Colors/Darks, Active Wear, Delicates/Hand Wash, Quick Wash, Rinse and Spin, Spin Only

7 Options:

AquaJet™, Self Clean, Delay End – Up to 19 Hours, Pre Soak, Sound On/Off, Child Lock, Smart Care

5 Temperature Settings:

Hot, Warm, Eco Warm, Cold, Tap Cold

4 Spin Settings:

High, Medium, Low, No Spin

3 Soil Settings:

Heavy, Normal, Light

2 Signal Level Settings:

On/Off

Warranty

One (1) Year Parts and Labor
Two (2) Years Control Board
Three (3) Years Stainless Steel Drum
Ten (10) Years Direct Drive Motor

Product Dimensions & Weight (WxHxD)

Dimensions: 27" x 43 7/8" x 29 1/4"

Weight: 126 lbs

Shipping Dimensions & Weight (WxHxD)

Dimensions: 29 1/2" x 46 1/2" x 31"

Weight: 137 lbs

Color	Model #	UPC Code
White	WA45H7200AW	887276857954

Matching Dryer (Electric/Gas)

White	DV45H7200EW	887276963907
White	DV45H7200GW	887276963921

Actual color may vary. Design, specifications, and color availability are subject to change without notice. Non-metric weights and measurements are approximate.

SAMSUNG

Samsung received the highest numerical score for clothes washers (2009-2012) and dryers (2008-2012) in the proprietary J.D. Power and Associates Laundry Appliance Studies. SM 2012 study based on 9,339 total responses measuring 12 brands, and measures opinions of consumers about their washer and dryer obtained new in the past 24 months. Proprietary study results are based on experiences and perceptions of consumers surveyed in January-February 2012. Your experiences may vary. Visit jdpower.com.

©2014 Samsung Electronics America, Inc. 85 Challenger Road, Ridgefield Park, NJ 07660. Tel: 800-SAMSUNG. samsung.com. Samsung is a registered trademark of Samsung Electronics Co. Ltd.