

# RS22HDHPNSR

22 cu. ft. Counter Depth Side-by-Side Refrigerator with In-Door Ice Maker

## Features

- 22 cu. ft. Capacity in Counter Depth Category
- Premium External Filtered Water and Ice Dispenser
- Automatic In-Door Ice Maker
- ENERGY STAR®-Compliant
- ADA Compliant
- LED Tower Lighting
- Twin Cooling Plus®
- Multi Air Flow
- Six Temperature Sensors
- Power Freeze and Power Cool Options
- Tempered Glass Spill-Proof Shelves

## Convenience

- Dispenser Light
- Door Alarm
- Water Filter Indicator
- Wine Rack



**ENERGY STAR® Rated:**  
646 kWh/yr



**ADA Compliant**



Side-by-Side Design



Premium External Filtered Water and Ice Dispenser

## Available Colors



Stainless Steel



White

## Signature Features

### SLEEK BUILT-IN LOOK

- Stylish, counter-depth design allows for more work space in the kitchen.
- Sleek, built-in look enhances overall kitchen design.

### SIDE-BY-SIDE DESIGN

- Provides easy access to food in both refrigerator and freezer compartments.

### PREMIUM EXTERNAL FILTERED WATER AND ICE DISPENSER

- Get great-tasting, filtered water directly from your refrigerator. Spend less time and money buying bottled water.

### TWIN COOLING PLUS®

- Keeps food fresher longer – Twin Cooling Plus® humidity levels up to 3.6x higher than single cooling.
- Refrigerator air is kept at higher, near commercial grade humidity levels to keep perishable fruits and vegetables fresher longer.
- Drier freezer air means less freezer burn for better-tasting frozen foods.

**SAMSUNG**

# RS22HDHPNSR

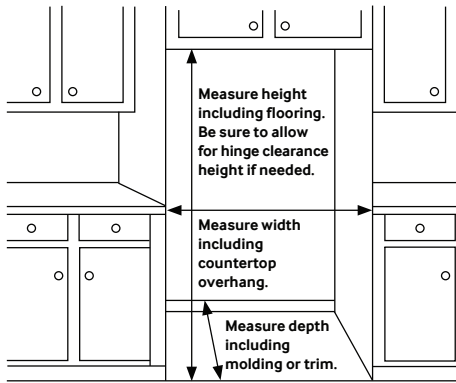
22 cu. ft. Counter Depth Side-by-Side Refrigerator with In-Door Ice Maker

## Installing Your Refrigerator

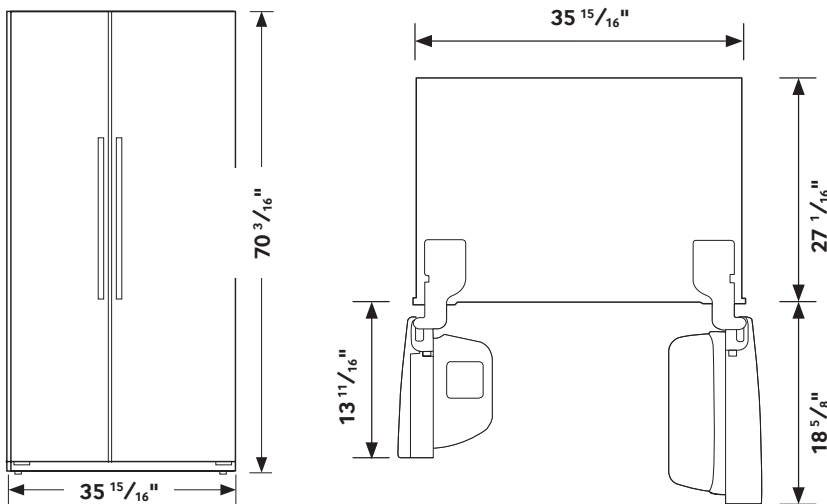
1. Measure the height, width and depth of the opening, making sure to include baseboards, molding tile, countertop overhang, etc. Check to be sure there is enough room to open the door (consider walls, islands or other obstacles when measuring).
2. Refer to illustration below to determine dimensions.
3. Allow 2.5" of clearance on hinge side of refrigerator when installing next to a wall where handle may make contact.
4. Allow 1" minimum clearance at rear for proper air circulation and water/electrical connections. Allow a 3/8" minimum clearance at sides and top for ease of installation.
5. Ensure each door and entryway in the home is wide enough for the refrigerator to be moved through easily.

**For optimal usage and to be able to open refrigerator doors completely, do not install next to a wall.**

Please note: The following dimension and cutout information is for planning purposes only. For complete installation details, consult manual packed with product, or download manual online at [samsung.com](http://samsung.com).



## Dimensions



## Total Capacity: 22.3 cu. ft.

### Refrigerator: 14.4 cu. ft.

- 4 Tempered Glass Spill-Proof Shelves
- 6 Clear Door Bins
  - 1 Dairy Bin
  - 4 Regular Bins
  - 1 Foldable Wired Can Holder (Optional)
- 3 Clear Crispers
- LED Tower Lighting

### Freezer: 7.9 cu. ft.

- 3 Tempered Glass Shelves
- 3 Clear Door Bins
- 2 Clear Drawers
- Automatic In-Door Ice Maker
- LED Tower Lighting

## Accessories

Water Filter

## Warranty

One (1) Year Parts and Labor on Refrigerator

Five (5) Years Parts and Labor on Sealed Refrigeration System Only\*

Ten (10) Years Parts and Five (5) Years Labor on Digital Inverter Compressor

\*Compressor, evaporator, condenser, drier, connecting tubing

## Product Dimensions & Weight

Dimensions (WxHxD with hinges, handles and doors):  
35 <sup>15</sup>/<sub>16</sub>" x 70 <sup>3</sup>/<sub>16</sub>" x 30"

Dimensions (WxHxD without hinges and door):  
35 <sup>15</sup>/<sub>16</sub>" x 68 <sup>5</sup>/<sub>8</sub>" x 23 <sup>5</sup>/<sub>8</sub>"

Dimensions (WxHxD with hinge and door, no handle):  
35 <sup>15</sup>/<sub>16</sub>" x 70 <sup>3</sup>/<sub>16</sub>" x 27 <sup>1</sup>/<sub>16</sub>"

Weight: 286.6 lbs.

## Shipping Dimensions & Weight (WxHxD)

Dimensions: 38 <sup>3</sup>/<sub>8</sub>" x 75 <sup>1</sup>/<sub>8</sub>" x 30 <sup>9</sup>/<sub>16</sub>"

Weight: 313.06 lbs.

Color	Model #	UPC Code
Stainless Steel	RS22HDHPNSR	887276960159
White	RS22HDHPNWW	887276962207

**SAMSUNG**

Actual color may vary. Design, specifications, and color availability are subject to change without notice. Non-metric weights and measurements are approximate.

©2018 Samsung Electronics America, Inc. 85 Challenger Road, Ridgefield Park, NJ 07660. Tel: 800-SAMSUNG. [samsung.com](http://samsung.com). Samsung is a registered trademark of Samsung Electronics Co. Ltd.