

# 84-25052

Parts List  
03-May-2012



*This parts list is current as of the above revision date.  
See <http://www.rheempartslists.net/92-42804-84-25052.pdf> for the current revision.*

**Electronic Air Cleaners**

# Table of Contents

Model Explanation.....	Page 3
<b>Parts Numbers</b>	
Models 01-02.....	Page 4
Model 03 .....	Page 5
Models 04-09.....	Page 6
<b>Drawings/Photographs</b>	
Exploded View 01-02 .....	Page 7
Exploded View 03 .....	Page 8
Exploded View 04-09 .....	Page 9
Notes/Disclaimer .....	Page 10

**MODEL NUMBER EXPLANATION**

<b>8</b>	<b>4</b>	<b>-</b>	<b>2</b>	<b>5</b>	<b>0</b>	<b>5</b>	<b>2</b>	<b>-</b>	<b>0</b>	<b>9</b>
1			2					3		

**1 PRODUCT TYPE**  
84 IAQ Product

**2 SERIES**  
25052

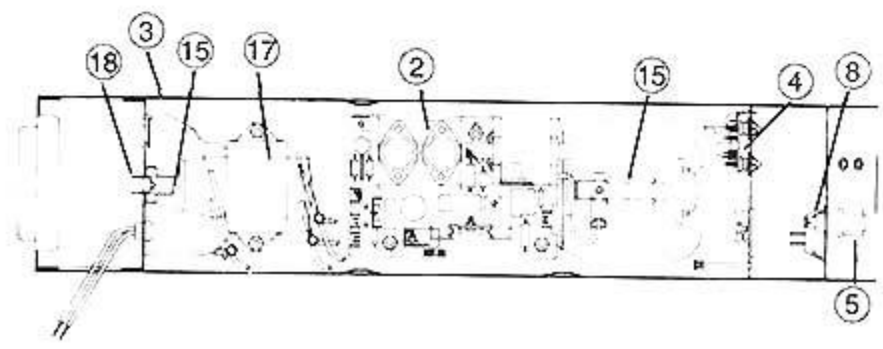
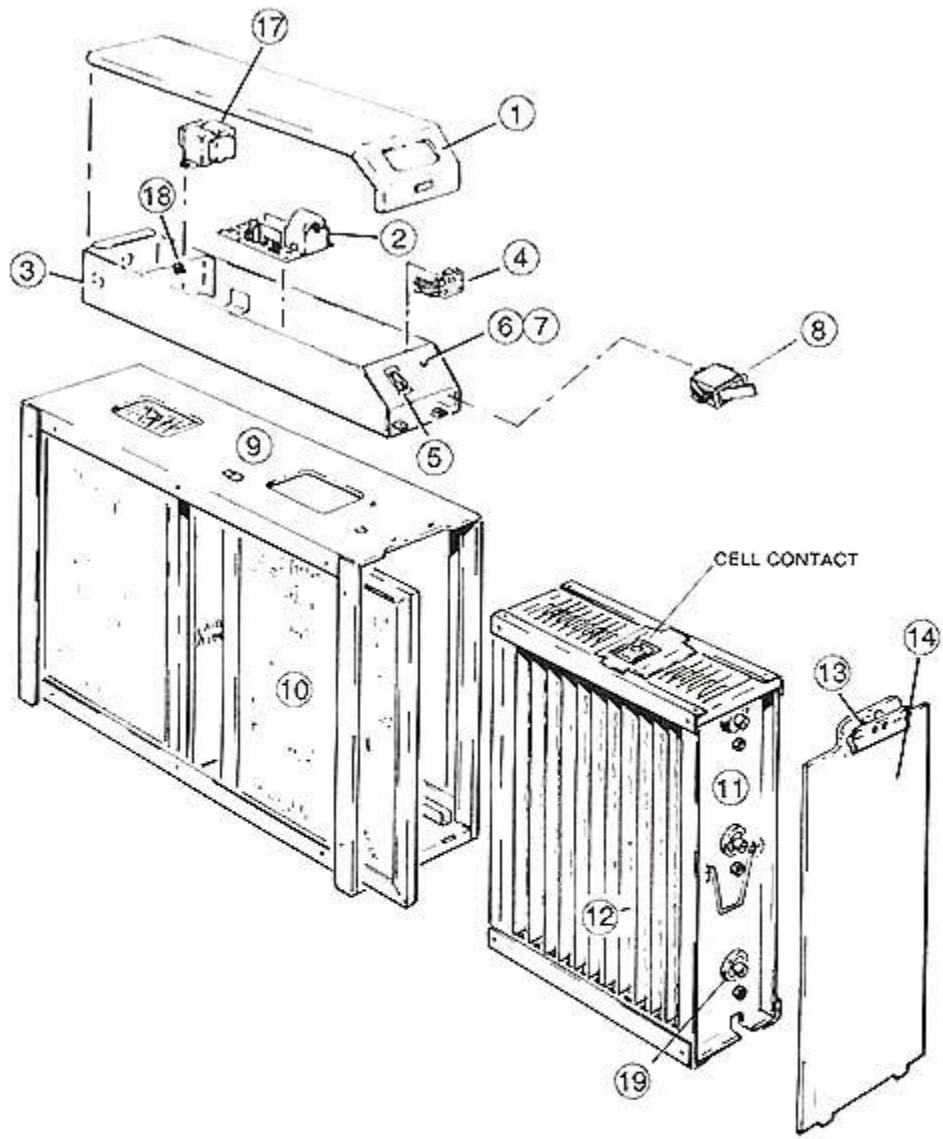
**3 MODEL**

01	1400 cfm
02	2000 cfm
03	1200 cfm
04	1400 cfm
05	2000 cfm
07	1400 cfm
08	2000 cfm
09	1400 cfm

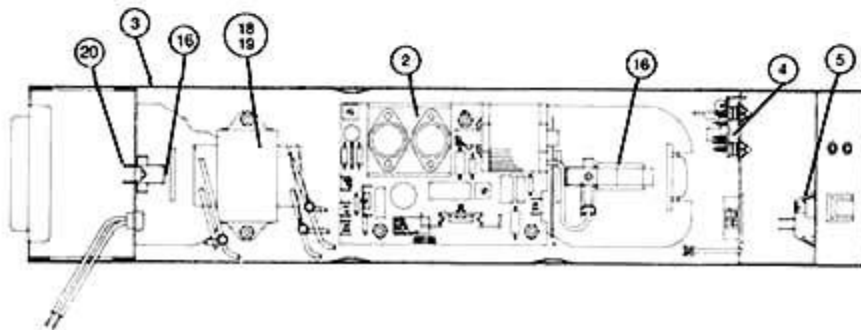
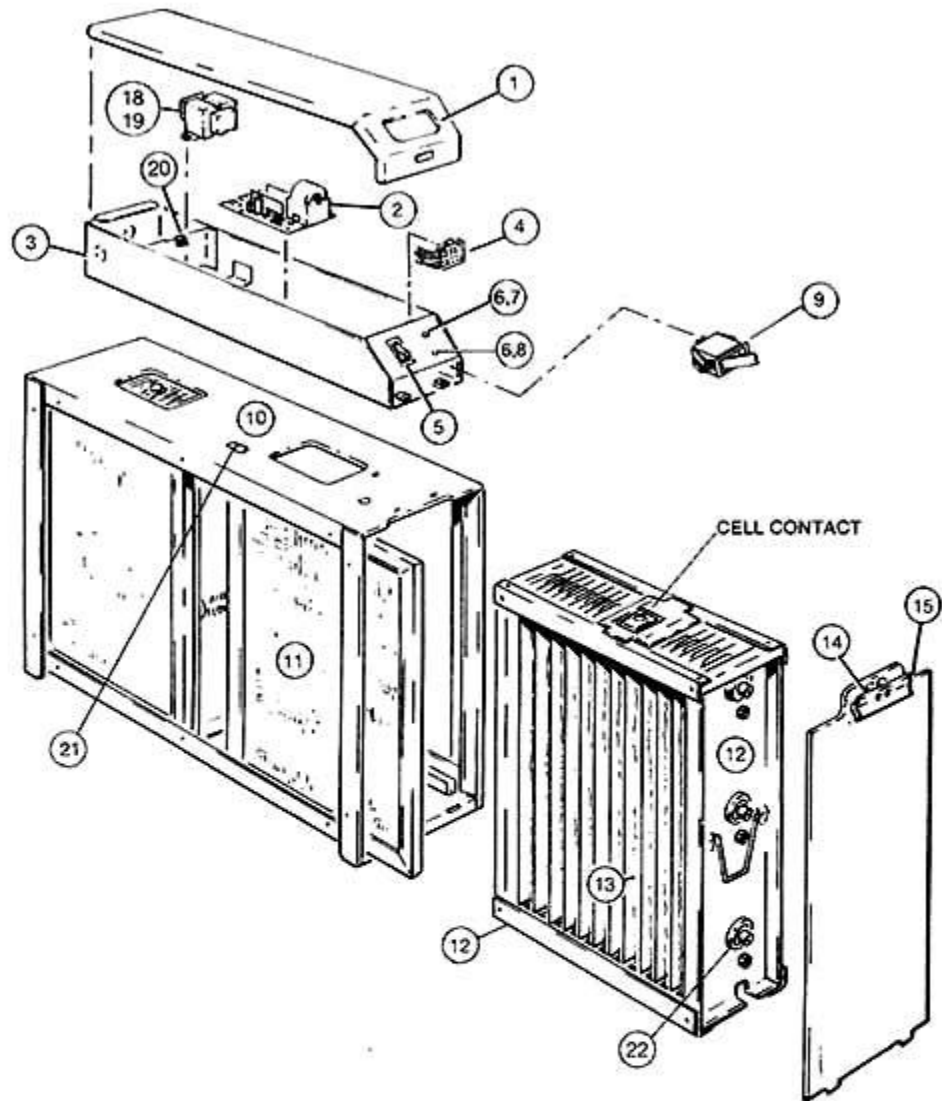
No.	Notes	SERIES MODEL	84-25052 -01	84-25052 -02
1		Power Pack Cover	89-25053-04	89-25053-04
2		High Frequency Power Supply	45-25053-05	45-25053-05
3		Power Pack Assembly - 120V	45-25053-09	45-25053-09
3A		Power Pack Assembly - 230V	45-25053-10	45-25053-10
4		Electronic Air Flow Sensor	47-25053-11	47-25053-11
5		On/Off Switch	42-25053-12	42-25053-12
6		LED Mounting Clip	45-25053-13	45-25053-13
7		Input Voltage LED Assembly (Green)	47-25053-15	47-25053-15
8		Output Voltage LED Assembly (Red)	47-25053-14	47-25053-14
9		Contact Switch	42-25053-16	42-25053-16
10		Cabinet Assembly	89-25053-19	89-25053-19
11		Pre-Filter	54-25053-22	54-25053-22
12		Cell, Ionizing-Collecting	45-25053-25	45-25053-25
13		Ionizing Wire Assembly (1 Wire)	45-25053-28	45-25053-28
14		Handle	89-25053-30	89-25053-30
15		Front Panel Door Assembly 120V	89-25053-33	89-25053-33
15A		Front Panel Door Assembly 240V	89-25053-34	89-25053-34
16		Contact Board Assembly (2)	45-25053-35	45-25053-35
17		Charcoal filter (Optional, Not Shown)	54-25053-36	54-25053-36
18		Transformer (120V to 24V)	46-25053-38	46-25053-38
19		Transformer (230V to 24V)	46-25053-39	46-25053-39
20		Ground Clip	45-25053-40	45-25053-40
21		Ground Contact	45-25053-41	45-25053-41
22		Insulator	45-25053-43	45-25053-43
23		Plastic Positioning Spacer (Not Shown)	45-25053-44	45-25053-44

No.	Notes	SERIES MODEL	84-25052 -03
1		Power Pack Cover	89-25053-04
2		High Frequency Power Supply	45-25053-05
3		Power Pack Assembly - 120V	45-25053-09
3A		Power Pack Assembly - 240V	45-25053-10
4		Electronic Air Flow Sensor	47-25053-11
5		On/Off Switch	42-25053-12
6		LED Mounting Clip	45-25053-13
7		Input Voltage LED Assembly (Green)	47-25053-15
8		Output Voltage LED Assembly (Red)	47-25053-14
9		Contact Switch	42-25053-16
10		Cabinet Assembly	89-25053-19
11		Pre-Filter	54-25053-22
12		Cell, Ionizing-Collecting	45-25053-25
13		Ionizing Wire Assembly (1 Wire)	45-25053-28
14		Handle	89-25053-30
15		Front Panel Door Assembly - 120V	89-25053-33
15A		Front Panel Door Assembly - 230V	89-25053-34
16		Contact Board Assembly (2)	45-25053-35
17		Charcoal Filter (optional-not shown)	54-25053-36
18		Transformer (120V to 24V)	46-25053-38
19		Transformer (230V to 24V)	46-25053-39
20		Ground Clip	45-25053-40
21		Ground Contact	45-25053-41
22		Insulator	45-25053-43
23		Plastic Positioning Spacer (Not Shown)	45-25053-44

No.	Notes	SERIES MODEL	84-25052 -04	84-25052 -05	84-25052 -07	84-25052 -08	84-25052 -09
1		Power Tray Assembly (w/Air Flow Sensor)	45-25053-47	45-25053-47	45-25053-47	45-25053-47	45-25053-62
1		Power Tray Assembly (w/o Air Flow Sensor)	45-25053-48	45-25053-48	N/A	N/A	N/A
2		High Frequency Power Supply	45-25053-49	45-25053-49	45-25053-49	45-25053-49	45-25053-49
3		Electronic Air Flow Sensor	47-25053-46	47-25053-46	47-25053-46	47-25053-46	47-25053-46
4		On/Off switch	42-25053-12	42-25053-12	42-25053-12	42-25053-12	42-25053-12
5		Interlock Switch	42-25053-50	42-25053-50	42-25053-50	42-25053-50	42-25053-63
6		Cabinet Assembly	89-25053-51	89-25053-58	89-25053-64	89-25053-66	89-25053-65
7		Pre-Filter (2)	54-25053-20	54-25053-21	54-25053-20	54-25053-21	54-25053-67
8		Cell, Ionizing-Collecting (2)	45-25053-52	45-25053-59	45-25053-52	45-25053-59	45-25053-75
9		Ionizing Wire Assembly	45-25053-53	45-25053-60	45-25053-53	45-25053-60	45-25053-60
10		Front Panel Assembly	89-25053-54	89-25053-61	89-25053-68	89-25053-69	89-25053-70
11		Contact Board Assembly (2)	45-25053-35	45-25053-35	45-25053-35	45-25053-35	45-25053-35
		Charcoal filter (Optional)	54-25053-36	54-25053-37	54-25053-36	54-25053-37	54-25053-74
13		Transformer (120V to 24V)	46-25053-55	46-25053-55	46-25053-55	46-25053-55	46-25053-55
13		Transformer (230V to 24V)	N/A	N/A	46-25053-71	46-25053-71	46-25053-71
14		Insulator (6 per cell)	45-25053-56	45-25053-56	45-25053-43	45-25053-43	45-25053-43
		Cell Key	45-25053-44	45-25053-44	45-25053-44	45-25053-44	45-25053-44
17		Power Tray Cover	89-25053-57	89-25053-57	89-25053-72	89-25053-72	89-25053-73
		Front Panel Assembly Latch (male)	89-25053-79	89-25053-79	89-25053-79	89-25053-79	89-25053-79
		Front Panel Assembly Latch (female)	89-25053-80	89-25053-80	89-25053-80	89-25053-80	89-25053-80

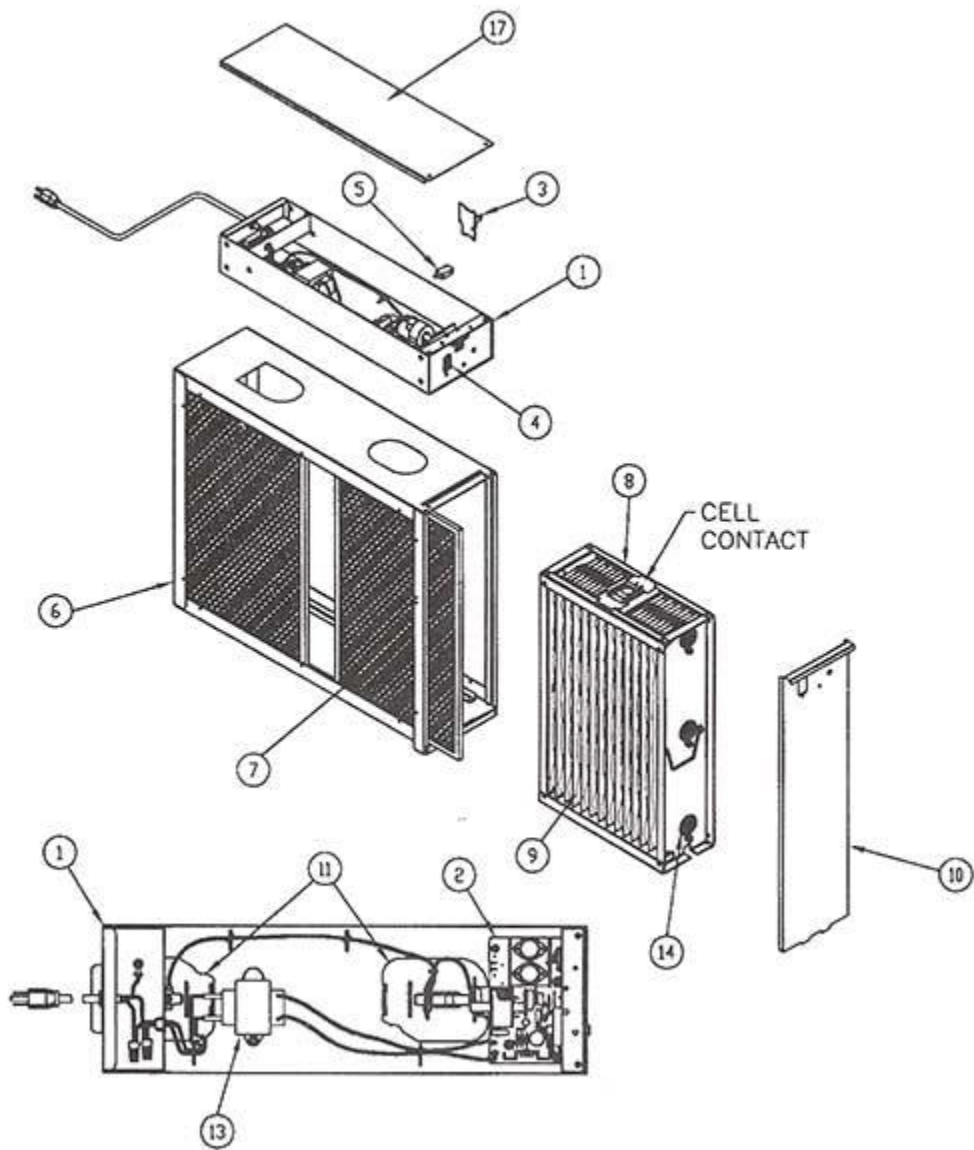


Exploded View 01-02



Exploded View 03





Exploded View 04-09

# NOTES

N/A Not Applicable

**DISCLAIMER:** This document is intended to provide general replacement parts information to aid qualified service personnel in the repair of these models. The complete Model and Serial Number of the unit under repair should be specified when selecting and ordering replacement parts. Specifications and illustrations are subject to change without notice. Document 92-42804-84-25052 supersedes all previous parts lists for these models. See <http://www.rheempartslists.net/92-42804-84-25052> for the latest revision of this document. The manufacturer assumes no obligation for errors or omissions. Service personnel must verify the proper and safe operation of equipment after the replacement of any original components.