

Electronic Air Cleaners



PRODUCT DESCRIPTION

Designed for easy duct-mounted installation with central forced-air systems, PROTECH™ Air Cleaners will remove up to 95% of airborne particles such as dirt, dust, pollen and second-hand tobacco smoke. They also help to reduce harmful bacteria, viruses and dust mites that contribute to medical illnesses.

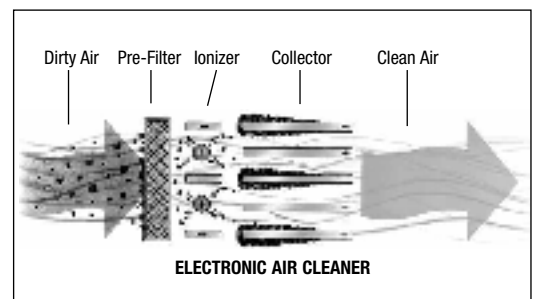
FEATURES

- Flexible Dealer Solutions: UL/cUL listed and easily converted to 240V.*
- System Protection: Built-in internal fuse protects the 24V transformer in the event of a power supply failure.
- Affordable Operation: Permanent, washable, aluminum and stainless steel collection cells deliver longer service life.
- Easy-to-clean cells and replacement filters for less costly maintenance.
- Standard Airflow Sensor: Automatically senses air movement within the duct, reducing power usage.
- Intelligent Design: Built with dealers in mind—easy access to power supply, key snap-in parts for easy on-site servicing, fail-safe connection with built-in air flow sensor eliminating the possibility of incorrect wiring by service technician.
- Overall HVAC System Efficiency: Units keep cooling coils clean, greatly boosting efficiency and lifespan of the total HVAC system.
- Effective Air Treatment: Aluminum mesh pre-filter traps large particles (dirt, lint, pet hair) and optional charcoal filter[†] reduces common household odors.

*See specifications on reverse.

HOW ELECTRONIC AIR CLEANERS WORK

Air is drawn into the unit to capture particles. The airborne particles pass through an electrostatic field and receive an ionized charge. The charged particles move into a collector section where each alternate plate is charged with the same polarity as the particles. This drives the particles to the second set of plates of an opposite charge to attract and collect the particles. The remaining air, cleaned up to 95% of its impurities, is then returned to the home or building.

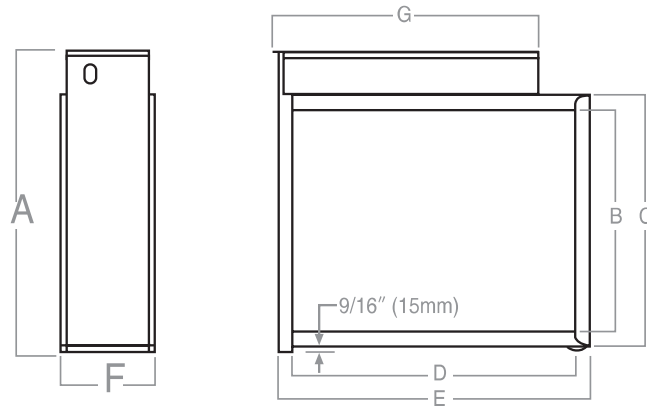


This illustration shows how a duct-mounted electronic air cleaner, directly connected to a home's heating and air cooling system, cleans the recirculated air.



SPECIFICATIONS

Model	HE 1400 CFM – 16x25	HE 2000 CFM – 20x25	HE 1400 CFM – 20x20
Part Number	84-25052-07	84-25052-08	84-25052-09
Input	120V-50/60 Hz-1PH	120V-50/60 Hz-1PH	120V-50/60 Hz-1PH
Output	2.5 mADC @ 6200 kVDC	3.2 mADC @ 6200 kVDC	2.5 mADC @ 6200 kVDC
Max Rate Airflow	1400 CFM	2000 CFM	1400 CFM
Max Pressure Drop	0.11WG @ 1400 CFM	0.14 WG @ 2000 CFM	0.11WG @ 1400 CFM
Unit Weight	32 lbs	36 lbs	35 lbs
Max Power Consumption	40 watts	48 watts	40 watts
Airflow Sensor Standard	Yes	Yes	Yes
Limited Warranty	2 years on parts	2 years on parts	2 years on parts
Optional Charcoal Filter*	54-25053-36	54-25053-37	54-25053-74
Step-down Transformer* 240V–24VAC option	46-25053-71	46-25053-71	46-25073-71



UNIT DIMENSIONS

Model	HE 1400 CFM – 16x25		HE 2000 CFM – 20x25		HE 1400 CFM – 20x20	
Part Number	84-25052-07		84-25052-08		84-25052-09	
A	20 ¹ / ₄ in	514 mm	24 ¹ / ₄ in	616 mm	24 ¹ / ₄ in	616 mm
B	13 ⁵ / ₈ in	352 mm	17 ⁷ / ₈ in	453 mm	17 ⁷ / ₈ in	616 mm
C	16 ⁵ / ₈ in	429 mm	20 ⁵ / ₈ in	531 mm	20 ⁵ / ₈ in	531 mm
D	22 ¹ / ₂ in	572 mm	22 ¹ / ₂ in	572 mm	19 in	483 mm
E	24 ¹ / ₈ in	632 mm	24 ¹ / ₈ in	632 mm	21 ¹ / ₂ in	546 mm
F	7 ¹ / ₈ in	181 mm	7 ¹ / ₈ in	181 mm	7 ¹ / ₈ in	181 mm
G	21 ¹ / ₈ in	545 mm	21 ¹ / ₈ in	545 mm	21 ¹ / ₈ in	545 mm