



CASWELL™ PRESSURE BALANCE BATH OR SHOWER TRIM WITH INTEGRATED VOLUME CONTROL

Modern Caswell™

CA2215LM

FEATURES

- Metal lever handle
- Pressure balanced concealed bath and shower mixer trim for R2014D rough valve with volume and temperature control
- Complete with plate, escutcheon, diverter and handle
- Components made of solid brass
- Rotate handle clockwise for hot and counterclockwise for cold
- Move handle up for on, down for off

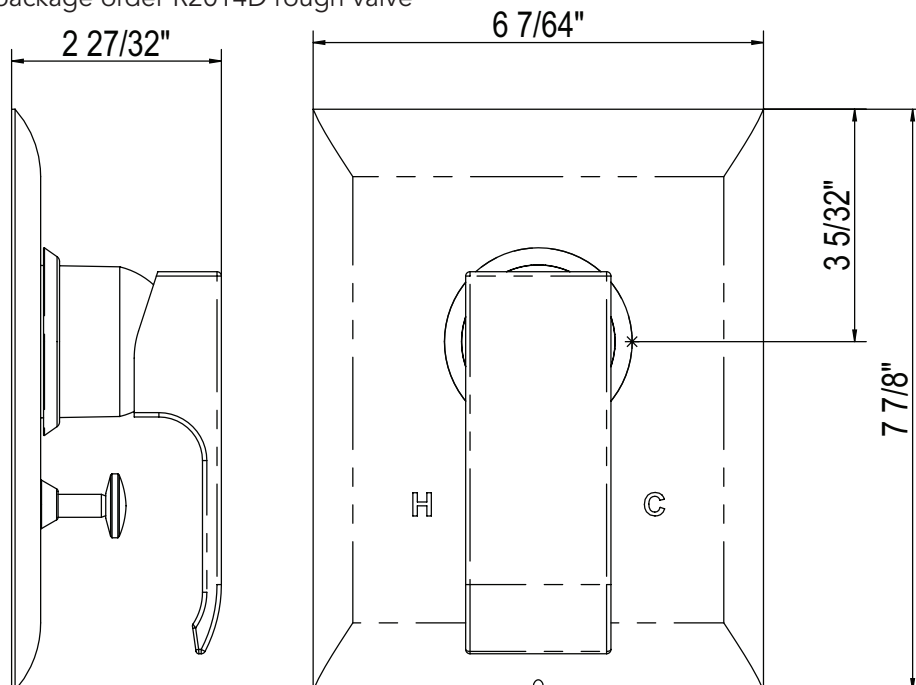
COLORS/FINISHES

- Polished Chrome
- Polished Nickel
- Satin Nickel

WARRANTY

- Limited Lifetime

To complete package order R2014D rough valve



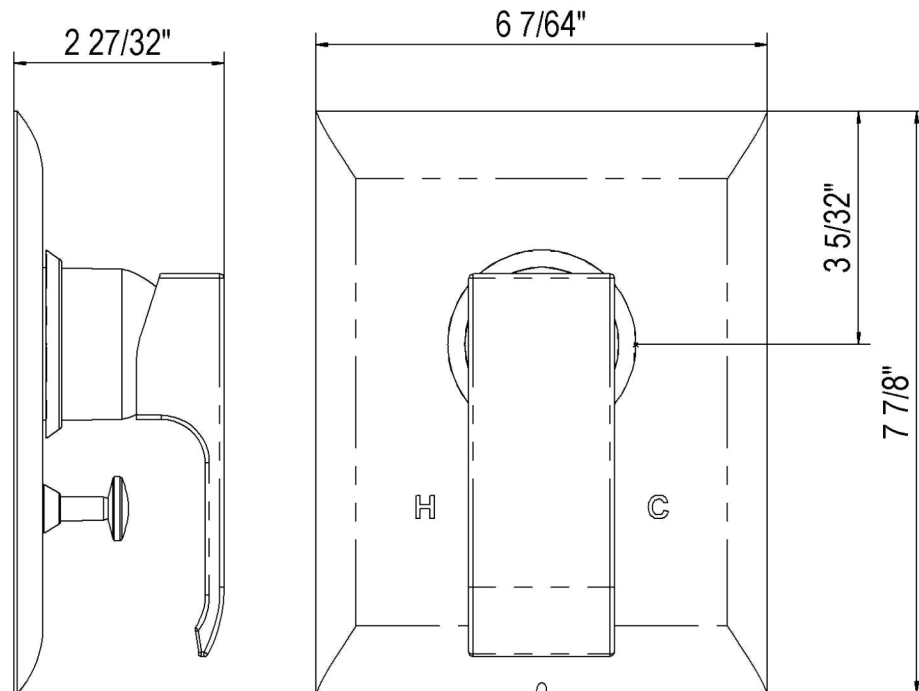
Consult your local FERGUSON showroom for additional information and specifications. www.ferguson.com.

Installation Instructions

ROHL CASWELL PBV DIVERTER TRIM SET CA2215LMAPC, CA2215LMPN, CA2215LMSTN

For Pressure Balance With Diverter Rough Valve R2014D

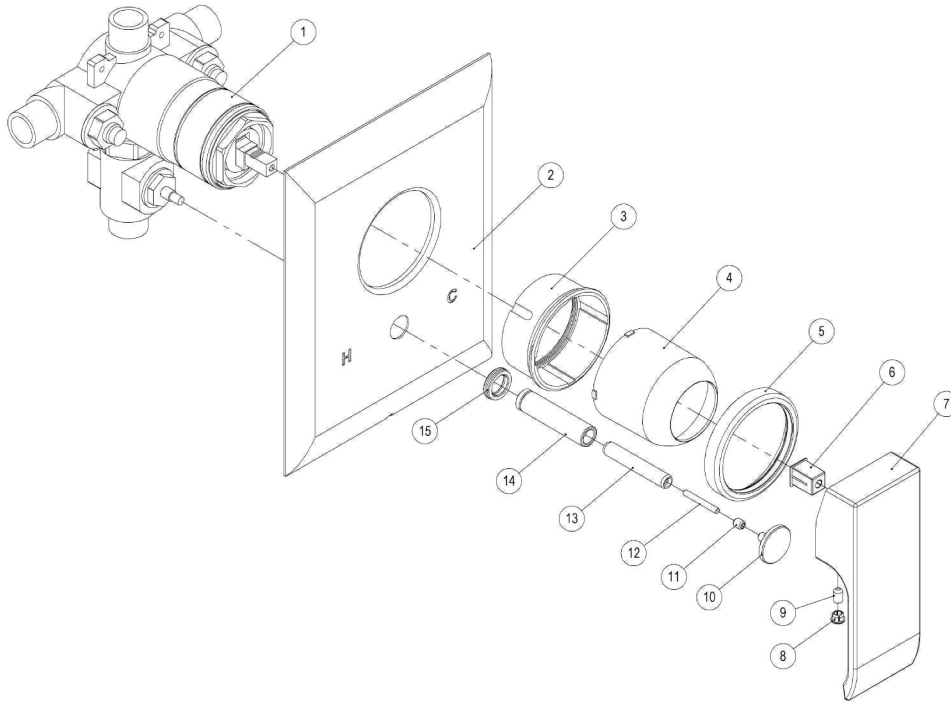
INSTALLATION INSTRUCTIONS



Please leave instructions with the home owner once installed.

#41914 01/14

Installation Instructions



1	P.B.V SHOWER DIVERTER VALVE - NOT INCLUDED
2	FACEPLATE
3	FACEPLATE NUT
4	COVER SLEEVE
5	NUT TRIM COVER
6	LEVER INSERT
7	LEVER
8	CHROME BUTTON
9	GRUB SCREW M5 X 5/16"
10	DIVERTER BUTTON
11	GRUB SCREW M5 X 15/64"
12	LOCKING ROD
13	DIVERTER ROD
14	DIVERTER SLEEVE
15	RUBBER GROMMET

Installation Instructions

Installation Instructions

1. Remove Mud cover and #4 faceplate nut from the rough valve. (Not shown.)
Please note: #4 faceplate nut (R945440) is included with the rough, not the trim package.
3/8" extension kit available; order R945440/2.

Installing Diverter Spindle:

1. Install #15 rubber grommet on the faceplate.
2. Disassemble diverter button assembly #10 from spindle #13.
3. Install diverter rod #13 onto the diverter stem. Then install the locking rod #12 and tighten the #11 grub screw.
Please note: Install the faceplate before installing the diverter button #10.
4. Install diverter sleeve #14 over diverter stem.

Installing Faceplate and Cover Sleeve:

1. Install faceplate #2 over PBV to the wall.
2. Slide the cover sleeve #4 inside the 4 grooves of the faceplate nut #3. Install to the PBV, using the cover sleeve as a tool and tighten.
 - a. Apply **grease to the o-rings** on the PBV for cover sleeve install.
 - b. Note: The edge of the faceplate nut holds the faceplate firm against the finished wall.
3. Slide the nut trim cover #5 over cover sleeve and against the faceplate.

Installing Lever and Diverter Button:

1. Install lever #7 as shown.
2. Install diverter button #10.

After installation:

Test operation with running water.

Operation of valve:

Install the lever in the down or 6 O'Clock position.

Tip up for on and to regulate volume.

Turn to 7 O'Clock for Hot.

Turn to 5 O'Clock for Cold.

Do not force the diverter when the water is running. This action may damage the diverter.

ROHL

Authentic Luxury for Kitchen and Bath®

www.ferguson.com

Installation Instructions

Care and Maintenance: After use, wipe down with a soft, dry cloth.

For all chrome plated surfaces clean this product with warm soapy water and then dry with a dry soft cloth.

Nickel plated, satin and Inca brass finishes should be cleaned with a soft cloth and warm water and then dried with a dry soft cloth.

Do not use cream cleaners or cleaning agents containing a corrosive acid or scouring agent including: Softscrub, Comet, Ajax and Bonami, as these may damage the surface of the faucet.

Do not use any spray cleaners with ammonia or alcohol like Windex, 409 or Fantastik.

Any use of unsuitable cleaning agents causing damage to the surface will not be covered by the warranty.

WARRANTY: Warranty is limited lifetime. See ROHL website for details. (www.rohlhome.com)

A basic in-line filter system is required for the house to protect any debris from entering the water supply line to the house (i.e. due to construction or service work on the street water main).