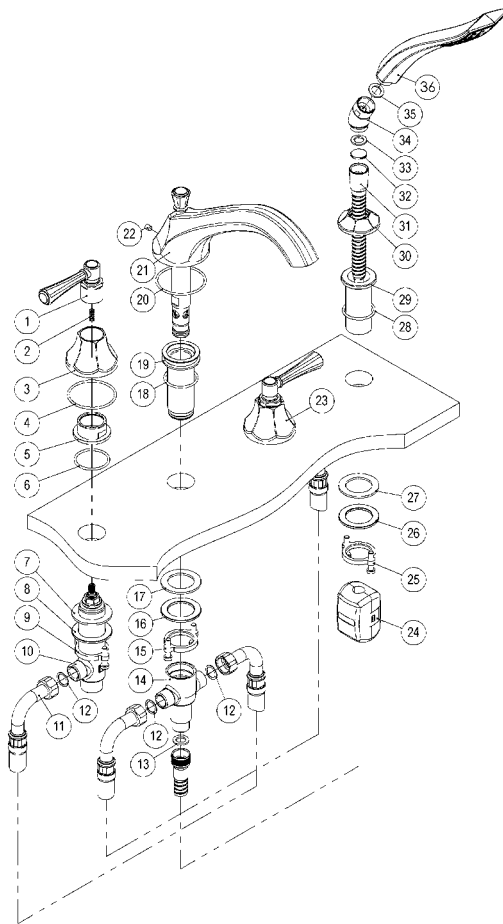
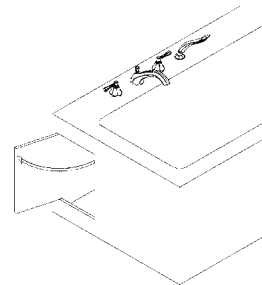


SPARE PARTS



Installation note:
For servicing after installation,
install a service door near
the valves.



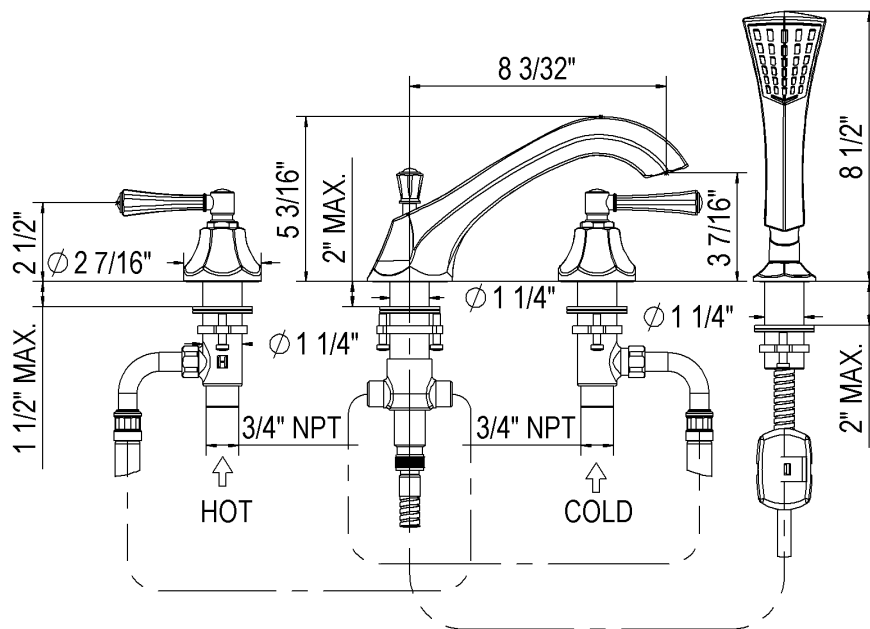
1	LEVER
2	SPRING
3	ESCUTCHEON
4	'O' RING
5	SIDE VALVE ESCUTCHEON
6	'O' RING
7	RUBBER WASHER
8	STEEL WASHER
9	MOUNTING NUT
10	SIDE VALVE
11	G1/2"-G1/2" HOSE
12	RUBBER WASHER
13	RUBBER WASHER
14	DIVERTER BLOCK
15	MOUNTING NUT
16	STEEL WASHER
17	RUBBER WASHER
18	'O' RING

19	SPOUT BASE TAIL
20	'O' RING
21	BATH FILLER DECK MOUNTED SPOUT
22	GRUB SCREW
23	HANDLE ASSEMBLY
24	COUNTER WEIGHT
25	MOUNTING NUT
26	STEEL WASHER
27	RUBBER WASHER
28	'O' RING
29	HANDSET BASE TAIL
30	HANDSET ESCUTCHEON
31	2M HANDSET HOSE
32	FLOW RESTRICTOR
33	RUBBER WASHER
34	ANGLE ELBOW
35	RUBBER WASHER
36	HANDSET

INSTALLATION INSTRUCTIONS

ROHL WELLSFORD 4 HOLE TUB FAUCET WITH HANDSET

WE2311LMAPC, WE2311MPN, WE2311LMSTN
INSTALLATION INSTRUCTIONS



Please leave instructions with the home owner once installed.

SYSTEM REQUIREMENTS

To ensure the optimum performance and customer satisfaction, please adhere to the following:

Flush out all pipe work prior to installation.

Maximum operating pressure 75psi

NOTE: Pressures over 75psi will require that the house have a pressure regulator installed to limit the pressure below 75psi.

Maximum hot water temperature 145°F

If the water temperature exceeds 145°F an approved tempering valve must be fitted.

Maximum flow rate: 12 US gallons/minute at 60psi flow pressure.

Flow rate for tub filler is 12gpm at 60psi.

Hand shower flow rate is 2gpm.

Please follow local code guidelines for Asse 1016.

#41909 12/13

INSTALLATION INSTRUCTIONS

Installation Instructions

Flush out all pipework to remove any foreign material.

The **hot supply** should be fitted on the **left** when viewed from the front.

Installing Hot & Cold Side Valves and Trim: (2 x 1 5/16" cut-outs)

1. Remove trim parts #1 through #3.
 - a. Remove side valve escutcheon #5.
2. Install the side valve #10 from below the deck with the outlets facing outwards.
 - a. From the top of the deck install and **tighten** the side valve escutcheon #5 onto side valve and ensure base o-ring seal #6 is in place.
 - b. Install the escutcheon #3.
 - i. Note: Escutcheon #3 has a pre-set height for fitting. Set the escutcheon to the pre-set height.
 - ii. Set escutcheon square before installing the lever assembly.
 - c. Install lever #1, as shown.
 - i. **Check the spring #2** is inside the lever.
 - ii. With **downward pressure** on the lever tighten the locking nut under the lever.
 - d. Position the lever and escutcheon and tighten the jack screws #9.

Installing the Spout: (1 5/16" cut-out)

1. Remove diverter parts #14 through #17.
2. Install the spout complete with spout base tail #19 fitted into the bench top and ensure base o-ring seals #18 is in place.
3. From below the deck.
 - a. Install mounting nut #15, steel washer #16 and rubber washer #17 and tighten jack screws.
 - b. Hand tighten diverter block #14 to spout base tail #18.
4. Connect the hot (red) and cold (blue) flexi hoses #11 to side valves #10, ensure the sealing washers #12 are in place.
 - a. **Note:** The hoses can only be fitted one way to avoid kinks. (Refer to drawing.)
 - b. **Turn the nut and not the hose.** Twisting the hose may cause damage or low flow.

Installing the Pull Out Handset: (1 x 1 5/16" cut-out)

1. Remove escutcheon #30 and parts #25 through #27.
2. Install the hand set base tail #29 from top of the deck and ensure base o-ring seal #28 is in place.
3. Install mounting nut #25, steel washer #26 and rubber washer #27 and tighten jack screws.
4. Install the escutcheon #30.

INSTALLATION INSTRUCTIONS

5. From above the deck feed the **knurled end** of the hose #31 end through handset base gently and connect hose to base of diverter block #14, ensure washer #13 is in place.
6. Connect handset to hose ensuring washer #35 is in place.
7. Install the counter weight #24 to hose #31 and secure with clips on weight. Check travel and movement and reposition counter weight if necessary.

After Installation:

1. Test each side valve for leaks at each connection.
2. Test the faucet operation for leaks with the water running.
3. Access below the deck is required for handset hose.
Note: An access panel is recommended.

Recommended diverter operation:

The diverter is spring loaded and depends on pressure to stay engaged.

With the water running, pull the diverter up to fully engage the hand spray.

To use the tub filler again, turn the unit off and let the diverter re-set with no pressure.

Do not force the diverter back into position when the water is running. This action may damage the diverter.

Care and Maintenance: After use, wipe down with a soft, dry cloth.

For all chrome plated surfaces clean this product with warm soapy water and then dry with a dry soft cloth.

Nickel plated, satin and Inca brass finishes should be cleaned with a soft cloth and warm water and then dried with a dry soft cloth.

Do not use cream cleaners or cleaning agents containing a corrosive acid or scouring agent including: Softscrub, Comet, Ajax and Bonami, as these may damage the surface of the faucet.

Do not use any spray cleaners with ammonia or alcohol like Windex, 409 or Fantastik.

Any use of unsuitable cleaning agents causing damage to the surface will not be covered by the warranty.

WARRANTY: Warranty is limited lifetime. See ROHL website for details (www.rohlhome.com)

A basic in-line filter system is required for the house to protect any debris from entering the water supply line to the house (i.e. due to construction or service work on the street water main).