

## CASWELL™ 24" SINGLE TOWEL BAR

Modern Caswell™

**CA1/24**

### FEATURES

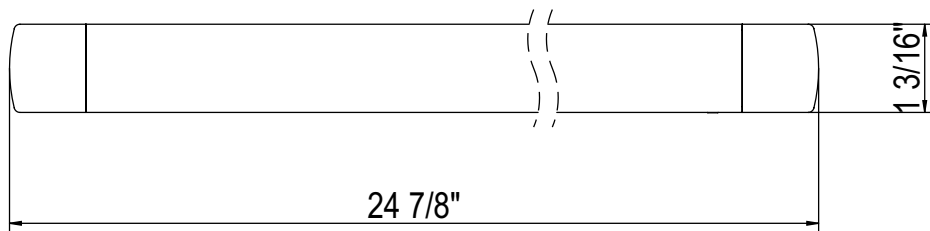
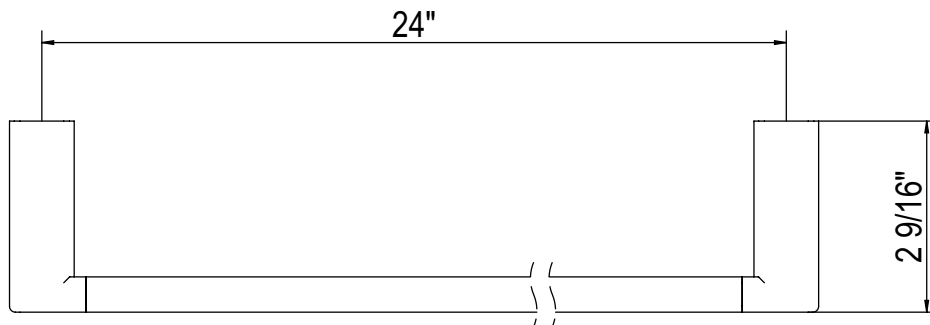
- Brass construction
- Mounting hardware included
- Cannot be cut

### COLORS/FINISHES

- Polished Chrome
- Polished Nickel
- Satin Nickel

### WARRANTY

- Limited Lifetime

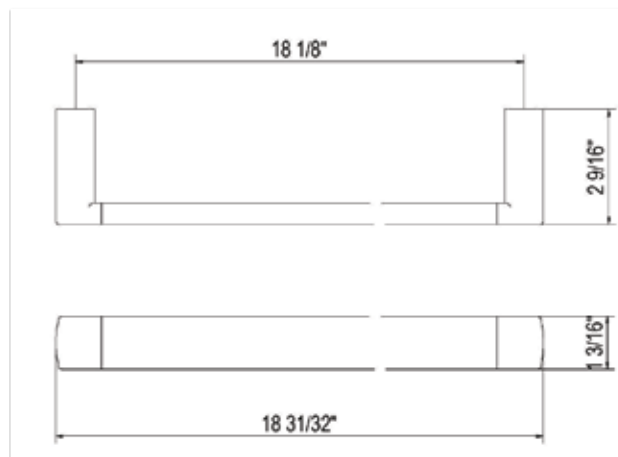


## Installation Instructions

### ROHL CASWELL ACCESSORIES INSTALLATION INSTRUCTIONS

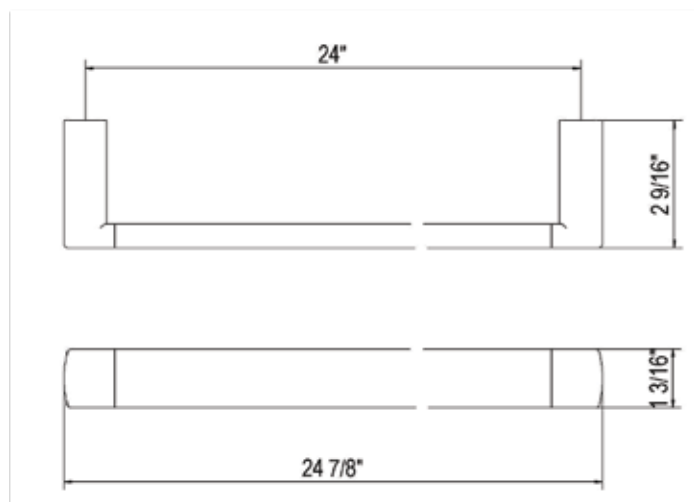
#### 18 INCH TOWEL BAR

CA1/18APC, CA1/18PN, CA1/18STN



#### 24 INCH TOWEL BAR

CA1/24APC, CA1/24PN, CA1/24STN

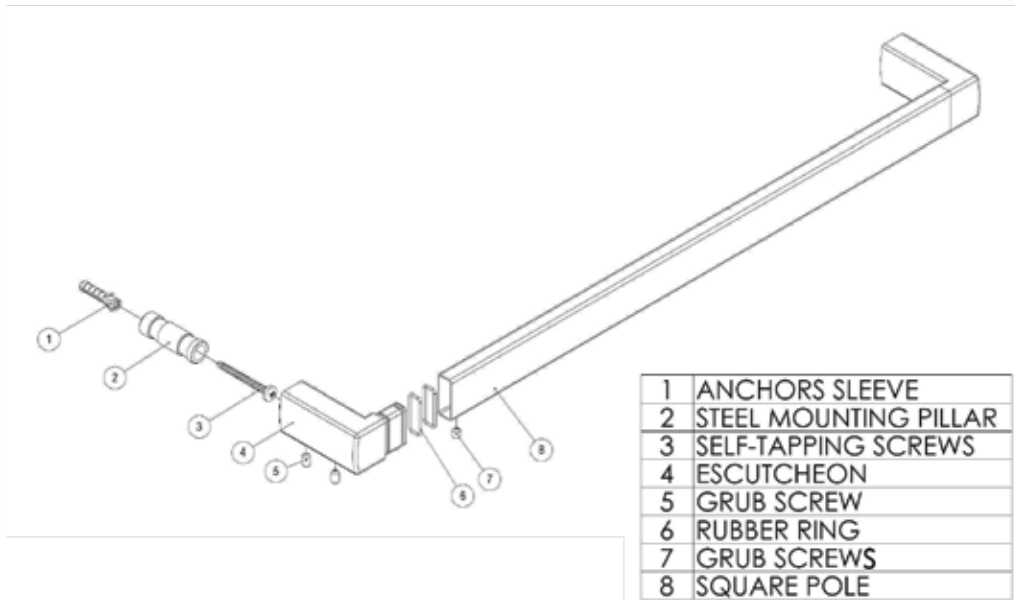


Please leave instructions with the home owner once installed.

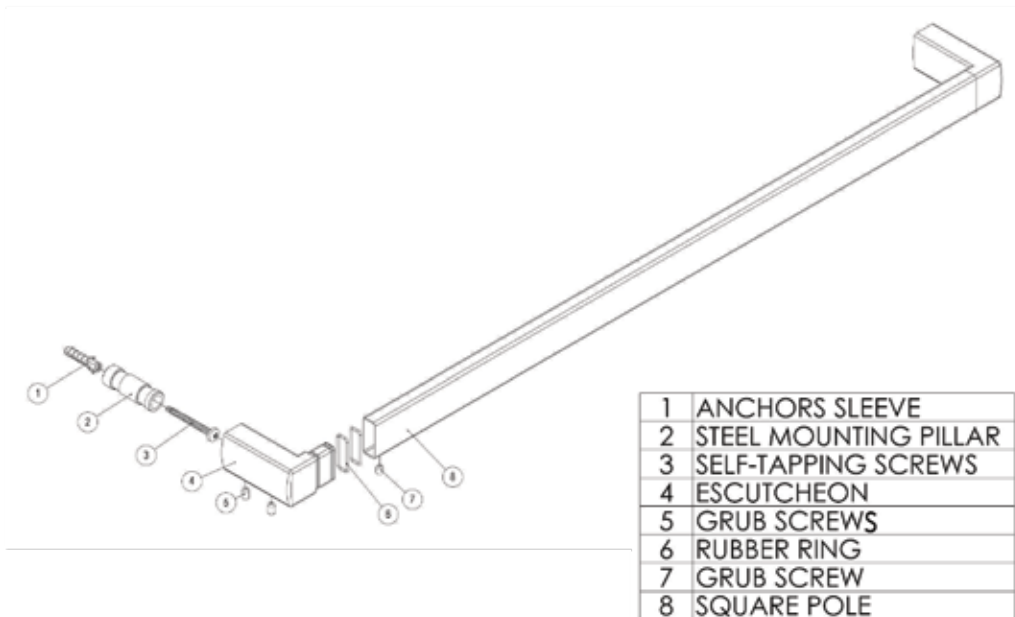
#41935 01/14

## Installation Instructions

### 18 INCH TOWEL BAR



### 24 INCH TOWEL BAR



## Installation Instructions

### 18 Inch Towel Bar Installation Instructions

1. Mark out required positions for the 2 steel mounting pillars #2 at 18 1/8 inch centres.
  - a. Note: **The steel mounting pillars must be level.**
2. Install the 2 steel mounting plates #2 to wall using the self tapping screws #3.
  - a. Anchor sleeves #1 are provided for masonry walls.
  - b. Drill pilot holes if required.
3. Install the towel bar and tighten the grub screws #5 as shown.

### 24 Inch Towel Bar Installation Instructions

1. Mark out required positions for the 2 steel mounting pillars #2 at 24 inch centres.
  - a. Note: **The steel mounting pillars must be level.**
2. Install the 2 steel mounting plates #2 to wall using the self tapping screws #3.
  - a. Anchor sleeves #1 are provided for masonry walls.
  - b. Drill pilot holes if required.
3. Install the towel bar and tighten the grub screws #5 as shown.

# ROHL

Authentic Luxury for Kitchen and Bath®

[www.ferguson.com](http://www.ferguson.com)

## Installation Instructions

**Care and Maintenance:** After use, wipe down with a soft, dry cloth.

For all chrome plated surfaces we recommend cleaning this product with warm soapy water and then dry with a dry soft cloth.

Nickel plated, satin and Inca brass finishes should be cleaned with a soft cloth and warm water and then dried with a dry soft cloth.

Do not use cream cleaners or cleaning agents containing a corrosive acid or scouring agent including, Softscrub, Comet, Ajax and Bonami, as these may damage the surface of the faucet.

Do not use any spray cleaners with ammonia or alcohol like Windex, 409 or Fantastik.

Any use of unsuitable cleaning agents causing damage to the surface will not be covered by the warranty.

**WARRANTY:** Warranty is limited lifetime. See ROHL website for details ([www.rohlhome.com](http://www.rohlhome.com))

A basic in-line filter system is required for the house to protect any debris from entering the water supply line to the house. (i.e. due to construction or service work on the street water main.)