

Perrin & Rowe® Edwardian Shower Package

ROHL Perrin & Rowe® Bath

U.KIT24L (Lever Handle)
U.KIT24X (Cross Handle)



FEATURES

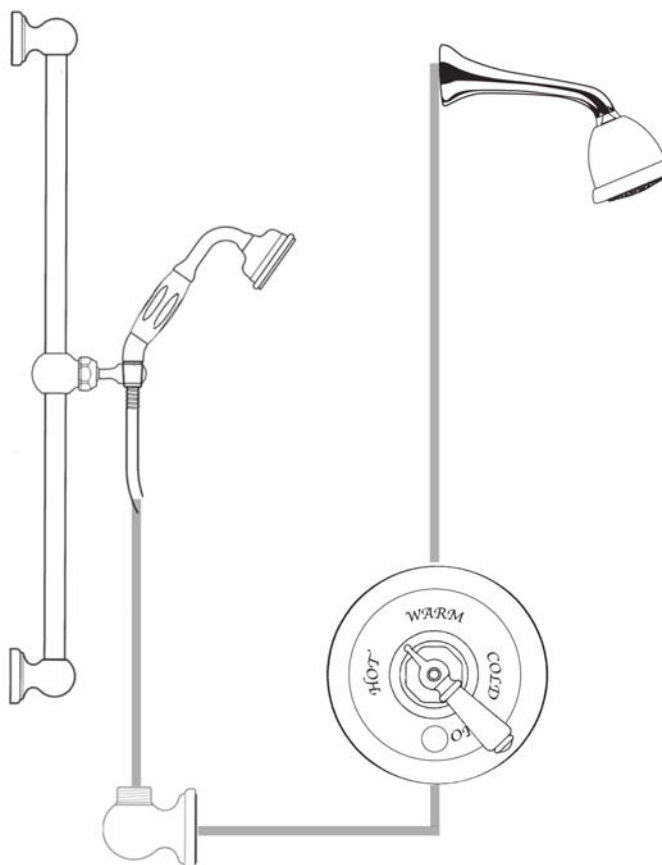
- Shower package components:
 - U.2000 - Pressure Balance Trim
 - H08000 - 7" Shower Arm
 - U.5800 - 6-Function Showerhead
 - U.5387 - Handshower & Hose
 - U.5540 - Slide Rail
 - U.5546 - Wall Outlet for Hose
- **To complete package, rough valve must be ordered separately:**
 - **RMV-2 – Pressure Balance Rough**

COLORS/FINISHES

- Polished Chrome
- Polished Nickel
- Satin Nickel
- English Bronze

WARRANTY

- See individual component specs for warranty



ROHL®

Authentic Luxury for Kitchen and Bath™™

www.rohlhome.com



Trim For Pressure Balanced Concealed Bath and Shower Mixer With Diverter

ROHL Perrin & Rowe Bath

U.2000L (Lever Handle)

U.2000X (Cross Handle)

FEATURES

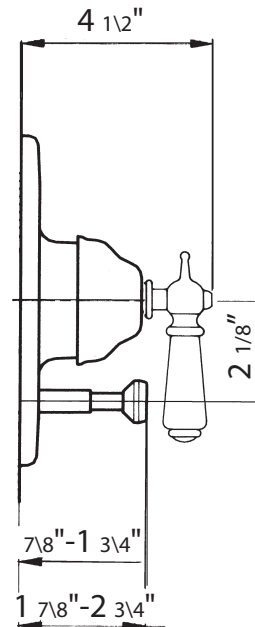
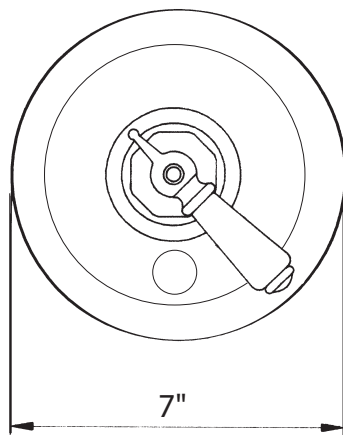
- Single lever handle or cross handle
- Pressure balanced concealed bath or shower mixer trim
- Bath to shower diverter
- Coverplate, dome, handle and divert knob made from solid brass
- To Complete package order RMV-2 rough valve

FINISHES

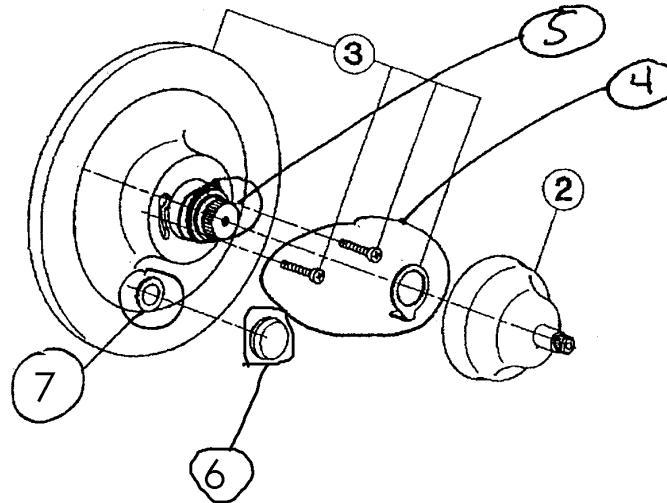
- Polished Chrome
- Polished Nickel
- Satin Nickel
- Inca Brass
- English Bronze

WARRANTY

- Limited Lifetime



U.2000 Spare Parts



MOUNTING SCREWS+CAM+DIVERTER ASSEMBLY
2303-1210 MOUNTING SCREWS

THERE ARE 2 PLASTIC PARTS
FOR THE TRIM AND ROUGH:
DRIVER 3103-1232
ATTACHED TO THE STEM ON THE ROUGH
INTERMEDIATE HANDLE ASSEMBLY 2303-0347
ASSEMBLED ON THE OUTSIDE OF THE TRIM PLATE

Parts List

2	Cover with spindle	ZZ931640
3	Escutcheon	ZZ931620
4	Hot Limit Stop	2103-1210
5	Intermediate Handle Assembly	2303-0347
6	Diverter Assembly	3604-2591 (Chrome Only)
		3604-2592 (Other Finishes)
7	Rubber Grommet	0304-0767



6-Function Showerhead

ROHL Perrin & Rowe® Bath

U.5800

FEATURES

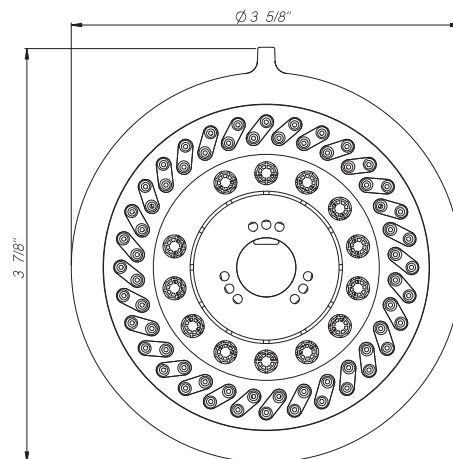
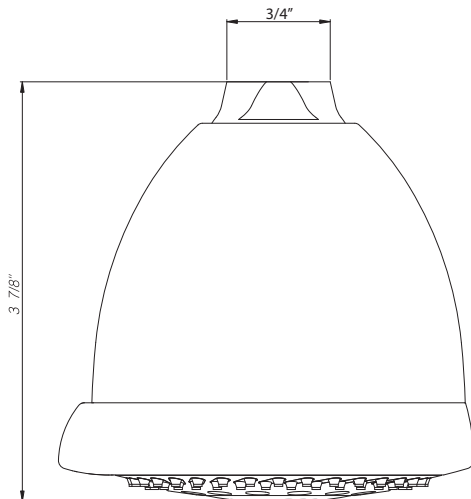
- 6-function spray patterns
 - Classic Spray
 - Classic/Champagne
 - Champagne
 - Champagne/Massage
 - Massage
 - Classic/Massage
- 1/2" female connection
- Swivel connection
- Restricted to 2.5 GPM
- Anti-calcium components
- 3/4"F to 1/2"M adaptor available
see part # U.5399

COLORS/FINISHES

- Polished Chrome
- Polished Nickel
- Satin Nickel
- Inca Brass
- English Bronze

WARRANTY

- 2 years on manufacturer defects





Inclined Handshower and Hose

ROHL Perrin & Rowe Bath

U.5387 (Porcelain Handshower) U.5387LS (Metal Handshower)

FEATURES

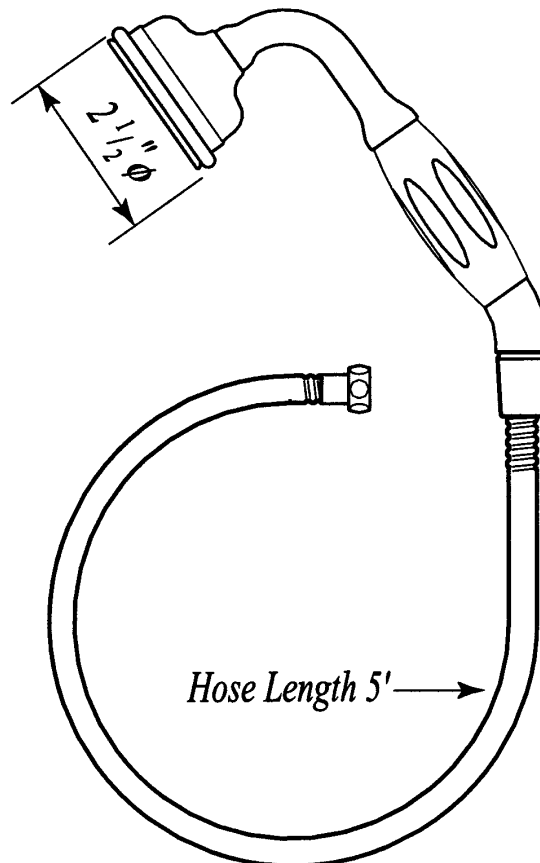
- Hose is 1/2" F NPSM connection
- 60" hose
- Includes handshower, hose and deck escutcheon assembly

COLORS/FINISHES

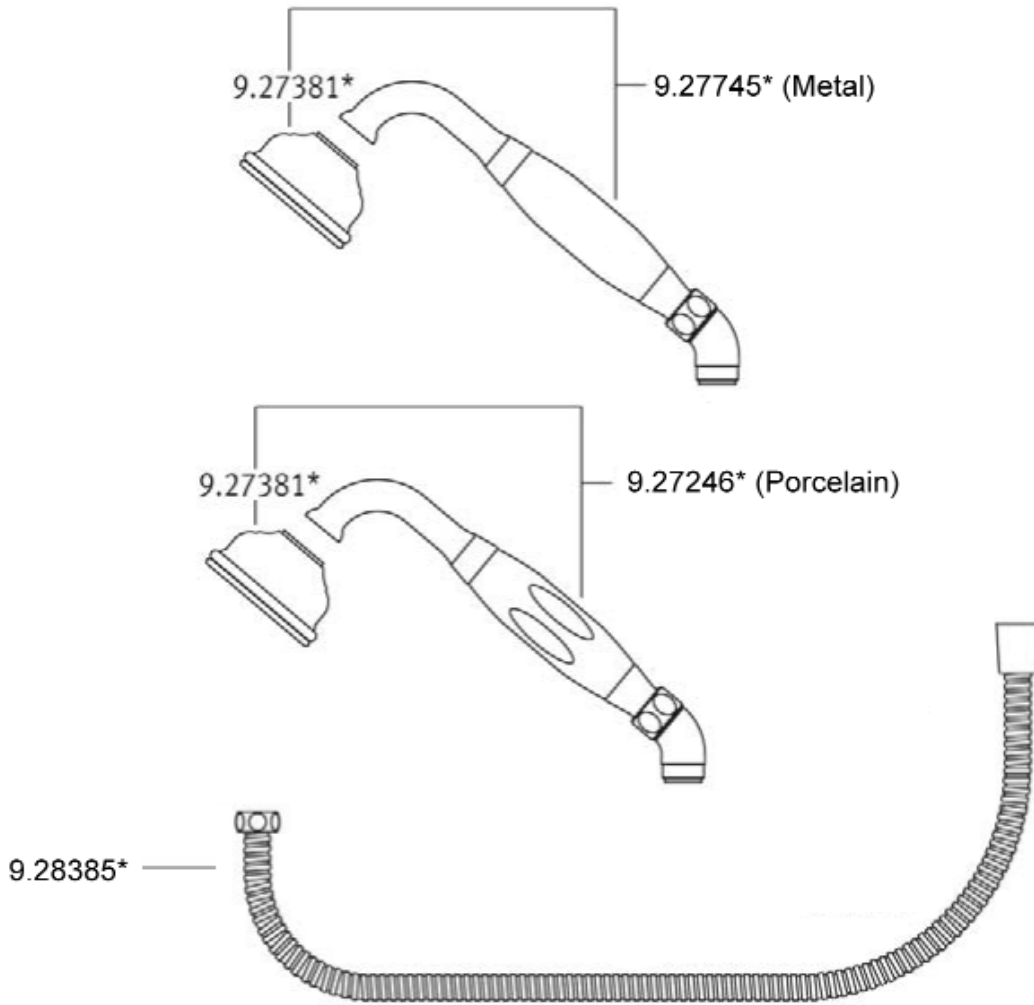
- Polished Chrome
- Polished Nickel
- Satin Nickel
- Inca Brass
- English Bronze

WARRANTY

- 2 Years on Manufacturer Defect



U.5387 Spare Parts





24" Sliding Rail

ROHL Perrin & Rowe Bath

U.5540

FEATURES

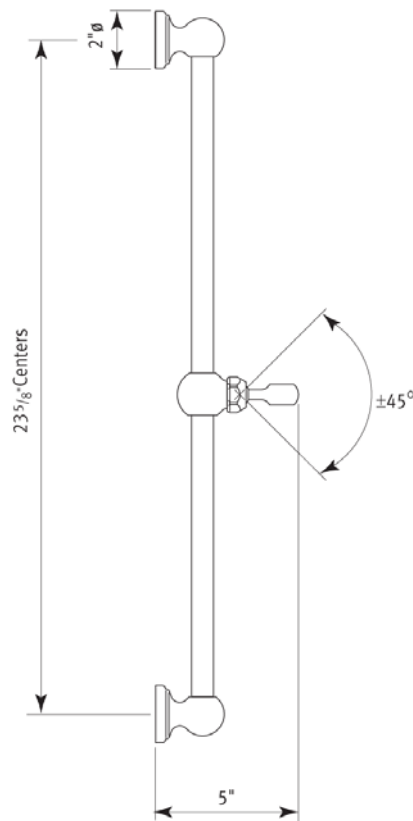
- Solid Brass
- Adjustable Sliding rail with lever handle
- Handshower holder adjustable $\pm 45^\circ$
- 23 5/8" centers
- Use with Perrin & Rowe hoses only

COLORS/FINISHES

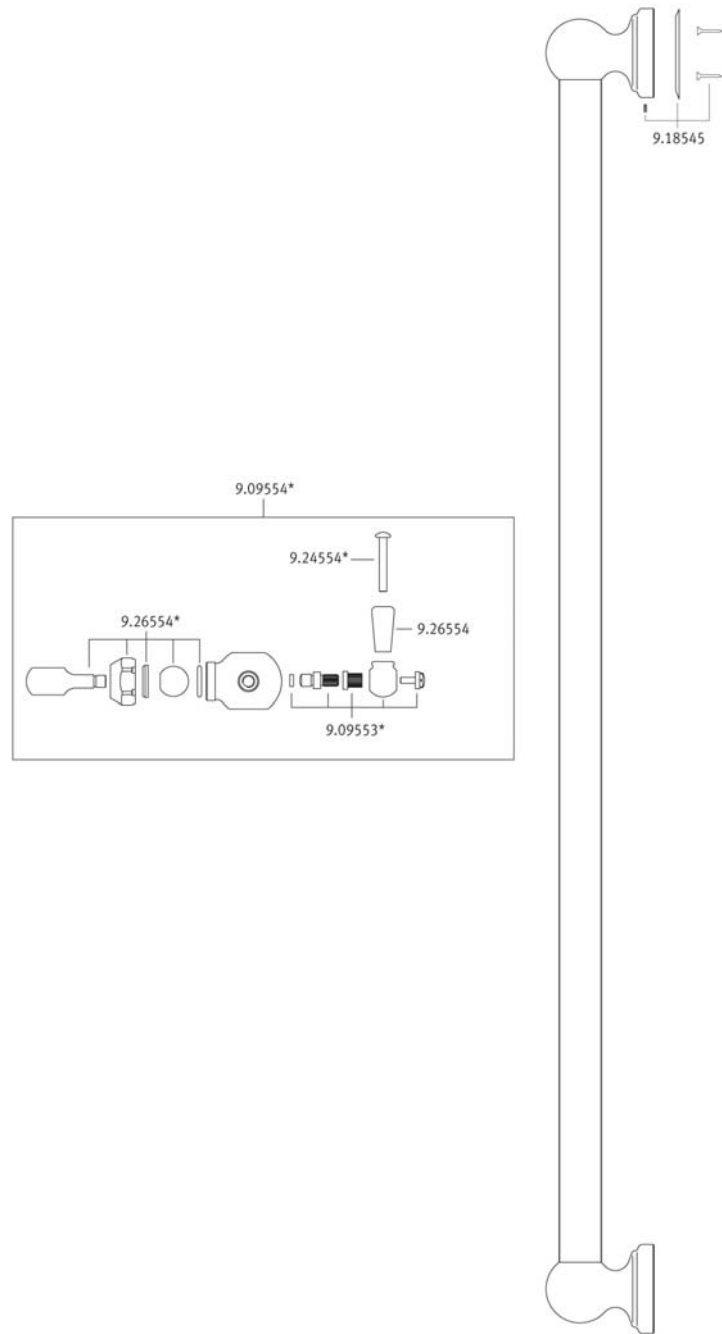
- Polished Chrome
- Polished Nickel
- Satin Nickel
- Inca Brass
- English Bronze

WARRANTY

- Limited Lifetime



U.5540 Spare Parts





Wall Outlet for Handshower

ROHL Perrin & Rowe Bath

U.5546

FEATURES

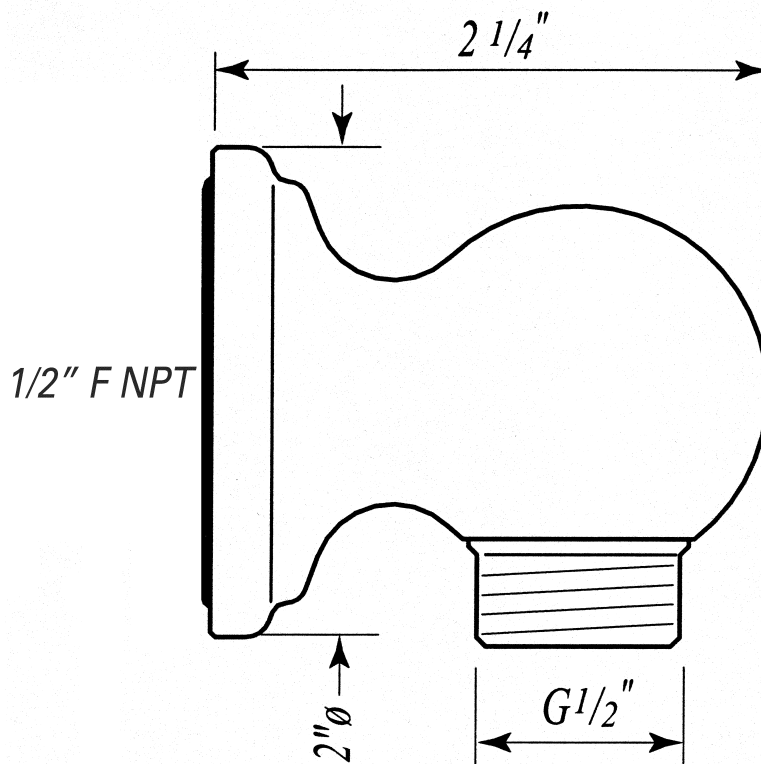
- Solid Brass
- Use with shower hose/handshower
- 1/2" female NPT inlet

COLORS/FINISHES

- Polished Chrome
- Polished Nickel
- Satin Nickel
- Inca Brass
- English Bronze

WARRANTY

- Limited Lifetime





Decorative Brass Shower Arm

ROHL Shower Collection

H08000

FEATURES

- 7" shower arm
- Solid brass construction
- 1/2" female inlet, 1/2" male outlet

COLORS/FINISHES

- Polished Chrome
- Polished Nickel
- Satin Nickel
- Tuscan Brass
- Inca Brass

WARRANTY

- 2 years on manufacturer defects

