



EDWARDIAN PRESSURE BALANCE TRIM WITH INTEGRATED VOLUME CONTROL AND DIVERTER

ROHL Perrin & Rowe® Bath

U.7000X (Cross Handle)

U.7000L (Lever Handle)

FEATURES

- Pressure balanced concealed bath and shower mixer trim for R2014D rough valve with volume and temperature control
- Bath to shower diverter
- Coverplate, dome, handle and diverter knob components made from solid brass
- Rotate handle clockwise for hot, counterclockwise for cold
- Move handle up for on, down for off
- English Bronze does not have any temperature indication on coverplate

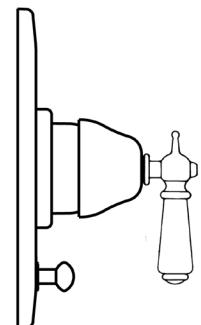
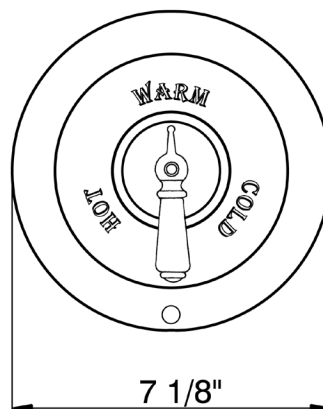
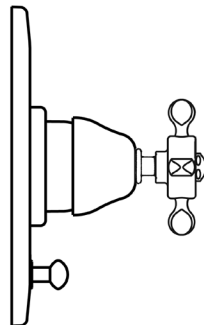
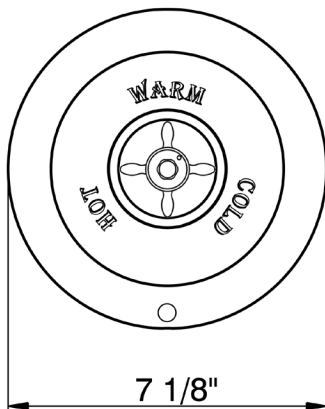
COLORS/FINISHES

- Polished Chrome
- Polished Nickel
- Satin Nickel
- Inca Brass
- English Bronze

WARRANTY

- Limited Lifetime

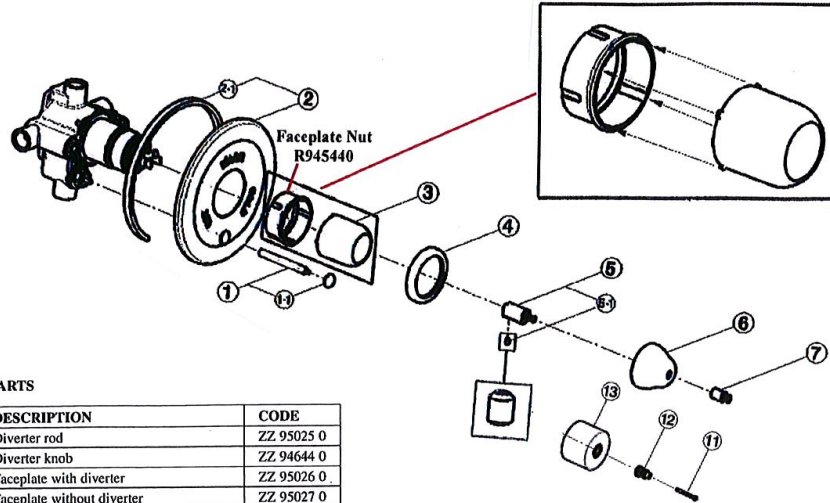
To complete package order R2014D rough valve



INSTALLATION INSTRUCTIONS

Pressure Balance Trim with Integrated Volume Control Installation Instructions

For Model/s: ARB6400, ARB7400, AC600, AC700, A6400, A7400, U.6700, U.7700, U.6000, U.7000, A6200, A7200, BA600, & BA700



SPARE PARTS

| POS. | DESCRIPTION | CODE |
|------|-------------------------------------|------------|
| 1 | Diverter rod | ZZ 95025 0 |
| 1-1 | Diverter knob | ZZ 94644 0 |
| 2 | Faceplate with diverter | ZZ 95026 0 |
| 2 | Faceplate without diverter | ZZ 95027 0 |
| 2 | Faceplate with diverter - modern | ZZ 95074 0 |
| 2 | Faceplate without diverter - modern | ZZ 95075 0 |
| 2-1 | Gasket for faceplate | ZZ 95028 0 |
| 3 | Dome cap | ZZ 95029 0 |
| 4 | Cover ring | ZZ 95030 0 |
| 5 | Cartridge rod adaptor | ZZ 95031 0 |
| 5-1 | Set screw M.5x6 | ZZ 94063 0 |
| 6 | Lever escutcheon | ZZ 95032 0 |
| 7 | Lever extension | ZZ 92671 0 |
| 11 | Screw M.3,5x30 | ZZ 95078 0 |
| 12 | Extension | ZZ 93497 0 |
| 13 | Modern dome cap | ZZ 95077 0 |

Trim Parts Instructions:

- Mount Sealing Gasket (2-1) into Faceplate (2)
- Thread on Diverter Rod (1) if applicable
- Remove faceplate nut (R945440) from valve and install faceplate (2)
- Thread on faceplate nut (R945440)
- **Please note: faceplate nut is provided on the rough valve not with the trim**
- Use Cover Sleeve (3) as a wrench to tighten the faceplate nut into place
- Slide Trim Ring (4) onto Cover Sleeve (3) to hide the edge of the Faceplate nut (R945440)
- **Please note: O-ring on (4) is installed on the inner diameter of the Trim Ring (4)**
- Install Cartridge Interface (5) onto stem of cartridge
Use of 2.5 MM Allen key is needed
- Slip Trim cover (6) against cartridge interface (5)
- Install Handle Spacer (7) and tighten screw (5-1)
- Install lever or cross handle onto Handle Spacer (7)
Use of 2.5 MM Allen key is needed
- Thread on Diverter button (1-1)
- Test. Adjust if necessary.
- 3/8" Extension Nut available; part # R945440/2
- Extended stem available; part # 30134

SPECIFICATIONS DETAILS:
 6-8 GPM @ 90 PSI
 • Unique volume control with pressure balance
 • Integrated stop
 • Min. install depth: 2"
 • Max. install depth: 3"
 • If PEX is utilized, oversize the supply line to 3/4" for full flow capacity
 • Install any hot spout 18" min. from the diverter or valve outlet
 • If using R20720 with a wall mounted hot spout with integrated diverter such as R18007, diverter hot spout, a hot air will be needed by the installer. The hot outlet will be plugged.

| ITEM NO. | PART NO. | DESCRIPTION | QTY. |
|----------|----------|--|------|
| 1 | 1-111 | DIVERTER ONLY, PRESSURE BALANCE VALVE | 1 |
| 2 | 10031 | SLEEVE, CARTRIDGE PRESSURE BALANCE | 1 |
| 3 | 10032 | NUT, PRESSURE BALANCE VALVE | 1 |
| 4 | 10716 | CARTRIDGE, PRESSURE BALANCE 40MM | 1 |
| 5a | 10092 | BODY, PRESSURE BALANCE FOUR X 1/2" NPT | 1 |
| 5b | 10097 | BODY, PRESSURE BALANCE FOR DIVERTER | 1 |
| 6 | 10610 | CARTRIDGE BASE EXTENSION FOR HK-40 | 1 |
| 7 | 2-076 | SHUTOFF VALVE, PRESSURE BALANCE | 2 |
| 8 | 80031 | D-RING, 1-3/4" ID X 1-7/8" OD X 1/8" THK, AS-688-031 | 2 |
| 8 | R945440 | FACEPLATE NUT, PRESSURE BALANCE | 1 |