

SPECIFICATIONS

DESCRIPTION

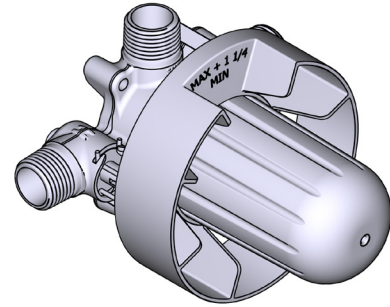
- R51
 - 1/2" outlet male NPT or sweat
 - 1/2" inlet male NPT or sweat
- R51-EX
 - 3/4" bath outlet EXPANSION PEX or 1/2" sweat
 - 1/2" inlet EXPANSION PEX
 - 1/2" shower outlet EXPANSION PEX
- R51-SPEX
 - 1/2" inlet PEX
 - 1/2" shower outlet PEX
 - 3/4" bath outlet PEX or 1/2" sweat
- Rough Only
- Service valves
- Test cap
- TXX51XX trim required to complete Rough only

STANDARDS

- CSA B125.1
- ASME A112.18.1
- ASSE 1016
- CMR248 Approval

WARRANTY

- Most products or parts carry "Limited Warranties" against manufacturing defects. For US customers please visit houseofrohl.com/support and for Canadian customers please visit riobel.ca for complete product and finish warranty.



R51

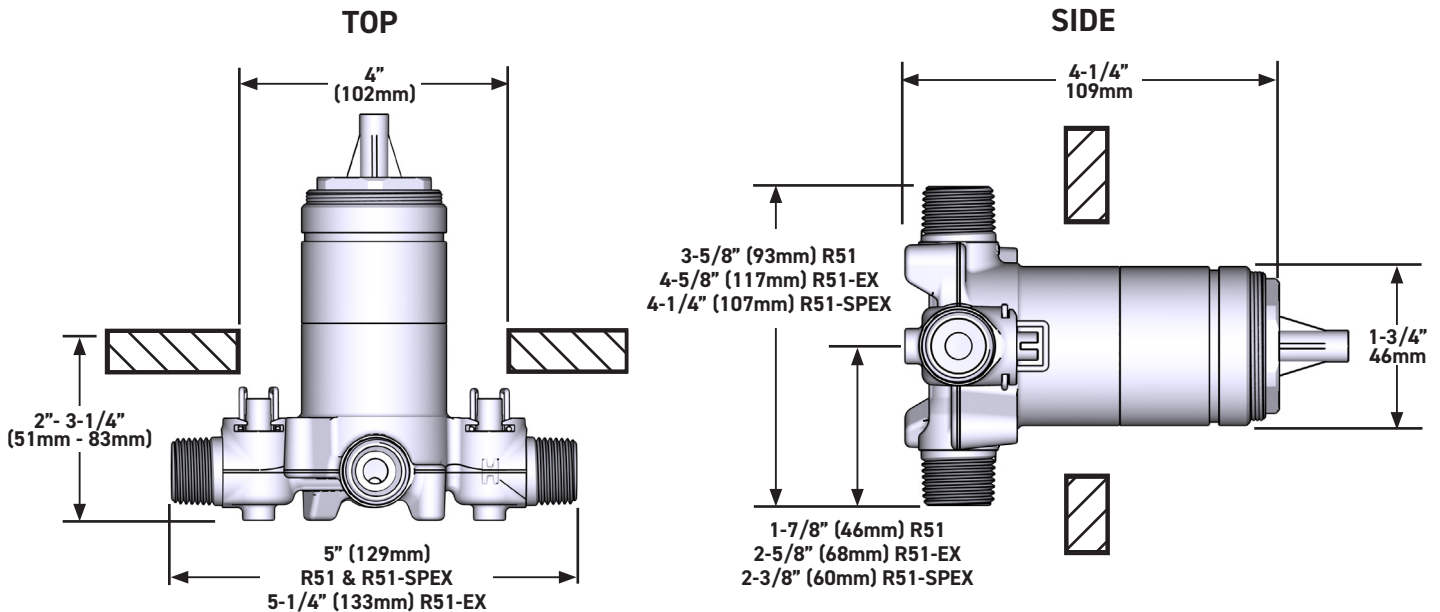
Type P (Pressure Balance) Rough

MODELS:

- R51
- R51-EX
- R51-SPEX

CONNECTION:

- NPT or sweat
- Expansion PEX
- PEX



QUEBEC / MARITIMES / WESTERN CANADA
 QUÉBEC / MARITIMES / OUEST CANADIEN
 QUEBEC / MARITIMOS / CANADA OCCIDENTAL
HOUSEOFROHL.CA
 1-866-473-8442

U.S.A.
HOUSEOFROHL.COM
 1-800-777-9762

ONTARIO
HOUSEOFROHL.CA
 1-888-287-5354

A DISTINCTIVE MEMBER OF THE HOUSE OF ROHL
 UN MEMBRE DISTINCTIF DE HOUSE OF ROHL
 MIEMBRO DISTINTIVO DE LA FAMILIA HOUSE OF ROHL

SPÉCIFICATIONS

DESCRIPTIONS

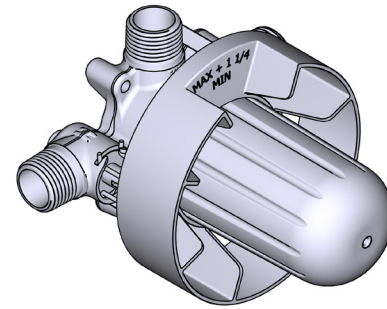
- R51
 - Sortie d'eau ½" mâle NPT ou soudée
 - Entrée d'eau ½" mâle NPT ou soudée
- R51-EX
 - Sortie de bain ¾" PEX EXPANSION ou ½" soudée
 - Entrée d'eau ½" PEX EXPANSION
 - Sortie de douche ½" PEX EXPANSION
- R51-SPEX
 - Entrée d'eau ½" PEX
 - Sortie de douche ½" PEX
 - Sortie de bain ¾" PEX ou ½" soudée
- Brut seul
- Valves de service
- Capuchon d'essai
- Commandez la garniture TXX51XX pour compléter

CERTIFICATIONS

- CSA B125.1
- ASME A112.18.1
- ASSE 1016
- Approbation CMR248

GARANTIE

- La plupart des produits ou pièces comprend des «garanties limitées» contre les défauts de fabrication. Pour les clients des États-Unis : veuillez consulter houseofrohl.com/support; Pour les clients du Canada : veuillez consulter riobel.ca pour connaître les conditions complètes de la garantie des produits et finis.



R51

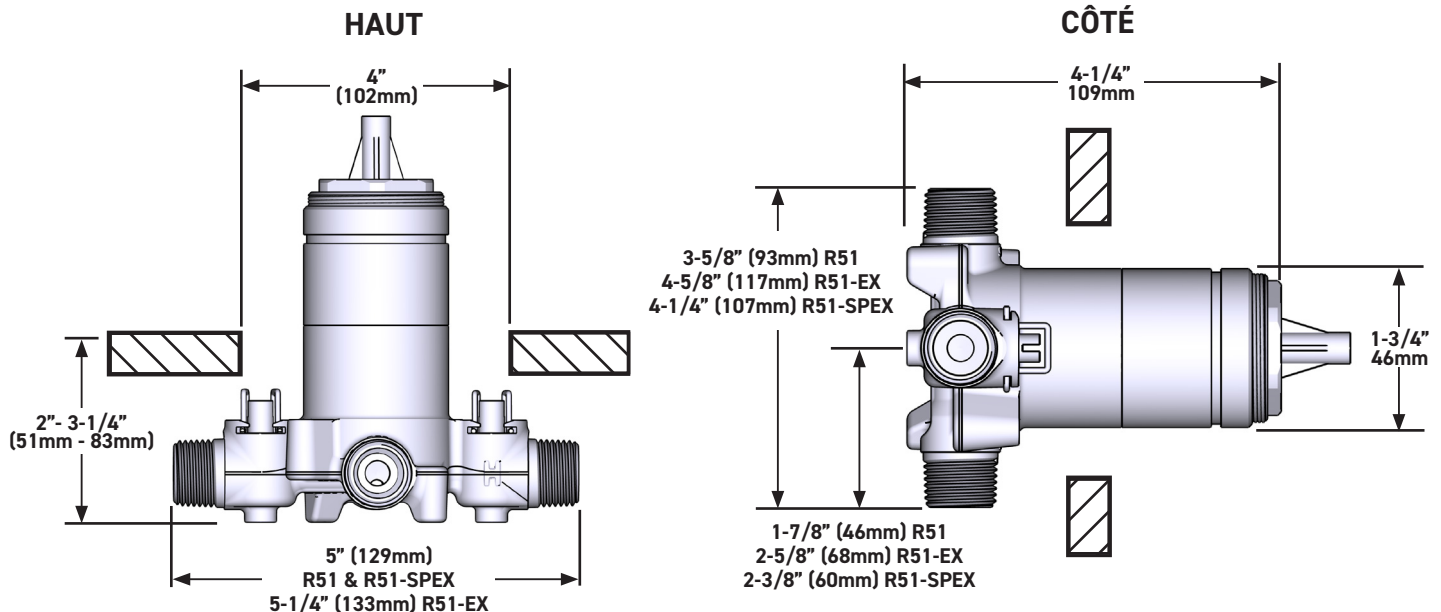
Brut de valve Type P (pression équilibrée)

MODÈLES:

R51
R51-EX
R51-SPEX

CONNEXION:

NPT ou soudée
PEX Expansion
PEX



U.S.A.
HOUSEOFROHL.COM
1-800-777-9762

QUEBEC / MARITIMES / WESTERN CANADA
QUÉBEC / MARITIMES / OUEST CANADIEN
QUEBEC / MARITIMOS / CANADA OCCIDENTAL
HOUSEOFROHL.CA
1-866-473-8442

ONTARIO
HOUSEOFROHL.CA
1-888-287-5354

A DISTINCTIVE MEMBER OF THE HOUSE OF ROHL
UN MEMBRE DISTINCTIF DE HOUSE OF ROHL
MIEMBRO DISTINTIVO DE LA FAMILIA HOUSE OF ROHL

ESPECIFICACIONES

DESCRIPCIÓN

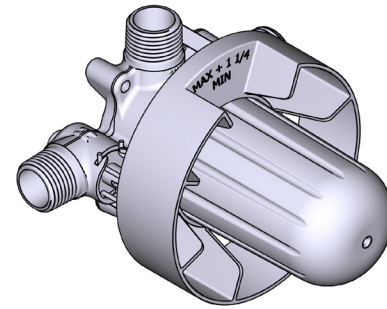
- R51
 - Salida macho de rosca o soldable de 1/2"
 - Toma macho de rosca de 1/2"
- R51-EX
 - 3/4" salida de baño EXPANSIÓN PEX o 1/2" de sudor
 - Expansión de entrada de 1/2" PEX
 - Salida de ducha de 1/2" EXPANSIÓN PEX
- R51-SPEX
 - Entrada PEX de 1/2"
 - Salida de ducha PEX de 1/2"
 - Salida de baño PEX de 3/4" o sudor de 1/2"
- Solo plomería básica
- Válvulas de servicio
- Tapa de prueba
- Se requiere moldura TXX51XX para terminar la instalación

ESTÁNDARES

- CSA B125.1
- ASME A112.18.1
- ASSE 1016
- Aprobación CMR248

GARANTÍA

- La mayoría de los productos o piezas presentan "Garantías limitadas" contra defectos de fabricación. La mayoría de los productos o piezas cuentan con "Garantías Limitadas" por defectos de fabricación. A los clientes en EE. UU. se les recomienda visitar houseofrohl.com/support y a los clientes en Canadá, riobel.ca, para consultar las condiciones completas de la garantía de los productos y acabados.



R51

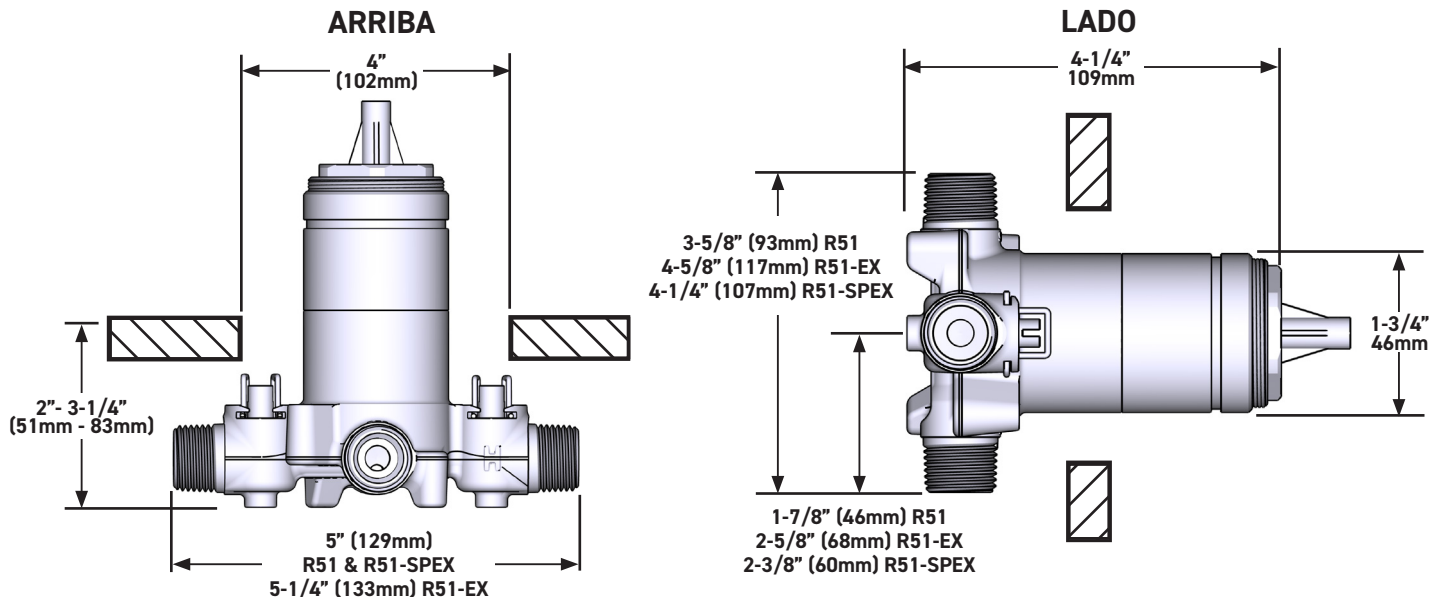
Válvula tipo P (con equilibrio de presión)

MODELOS:

R51
R51-EX
R51-SPEX

CONEXIÓN:

TNP o sudor
PEX Expansión
PEX



U.S.A.
HOUSEOFROHL.COM
1-800-777-9762

QUEBEC / MARITIMES / WESTERN CANADA
QUÉBEC / MARITIMES / OUEST CANADIEN
QUEBEC / MARITIMOS / CANADA OCCIDENTAL
HOUSEOFROHL.CA
1-866-473-8442

ONTARIO
HOUSEOFROHL.CA
1-888-287-5354

A DISTINCTIVE MEMBER OF THE HOUSE OF ROHL
UN MEMBRE DISTINCTIF DE HOUSE OF ROHL
MIEMBRO DISTINTIVO DE LA FAMILIA HOUSE OF ROHL



Specifications

Descriptions

- Trim only
- Ceramic cartridge and balancing spool with check valves
- Double action: flow and temperature control
- R51, R51-SPEX or R51-EX rough required to complete

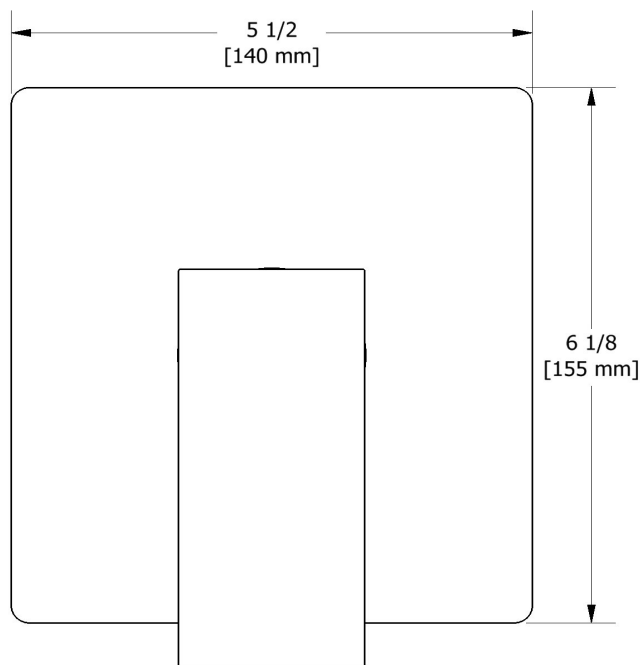
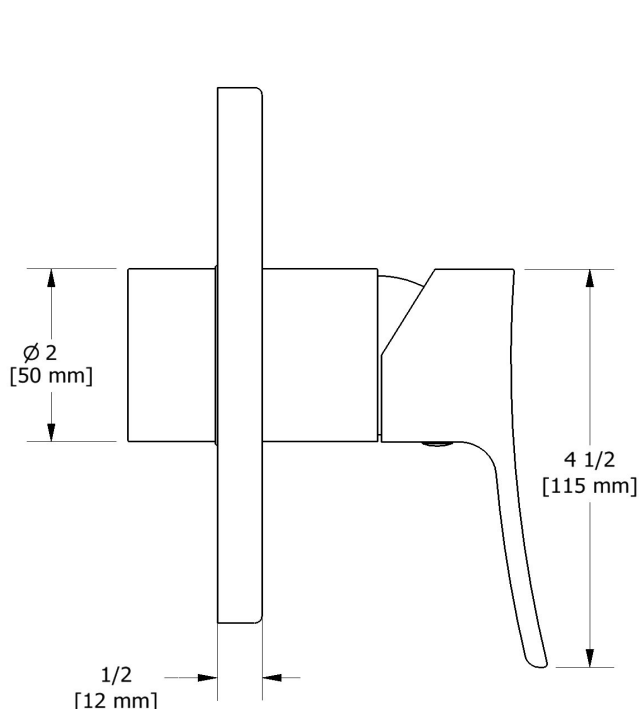
Available colors

- C : Chrome
- BN : Brushed Nickel (PVD)
- PN : Polished Nickel (PVD)

Certifications

- CSA B125.1
- ASME A112.18.1
- ASSE 1016
- CMR248 Approval
- ADA

Type P (pressure balance) valve trim
TZOTQ51



Sizes, models and finishes may differ from thoses presented.

Warranty

This Riobel Inc. product you have purchased carries a Limited Lifetime Warranty on the chrome, PVD finish, blacks and all working parts and is guaranteed from the initial purchase date against all manufacturing defects. All other finishes, including plastic components, are guaranteed for one year. All electric and/or electronic parts are covered by a 5-year limited warranty. The warranty offered on our products will be honored only if the installation is performed by a certified master plumber.

Customer Care

Phone (800) 777 - 9762 | Email: customer-care@houseofrohl.com | Website: houseofrohl.com/support/contact-us

Consult your local House of Rohl showroom for additional information and specifications. For complete warranty details and a list of showrooms, go to houseofrohl.com

2-jet shower head with arm
343



Specifications

Descriptions

- 2 jets: luxurious, invigorating
- Six positions
- Shower arm with square flange
- Swivel
- Scale-free

Available colors

- C : Chrome
- BN : Brushed Nickel (PVD)
- PN : Polished Nickel (PVD)

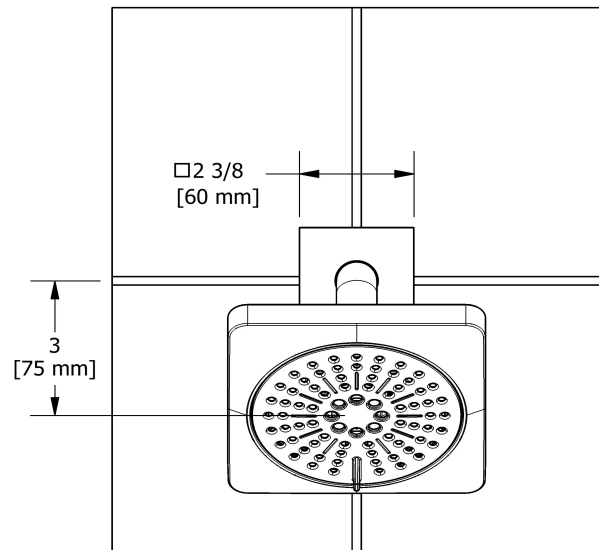
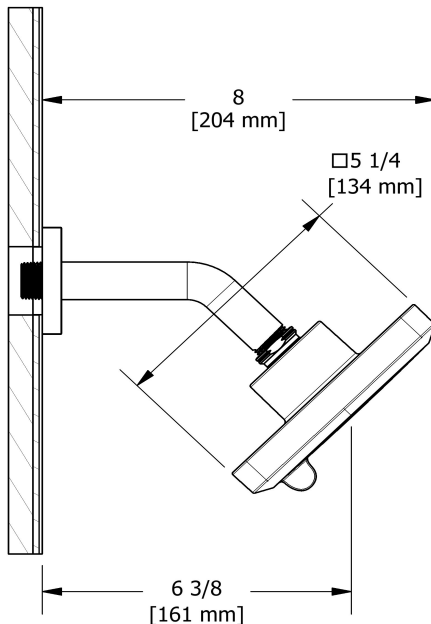
Available flows

- 7.6 L/min, 2.0 gpm (US) 60psi
- 5.69 L/min, 1.5 gpm (US) 60psi (**343-15**)
- 6.6L/min, 1.75 gpm (US) 60psi (**343-WS**) *

EPA certification applicable to the indicated model only

Certifications

- CSA B125.1
- ASME A112.18.1



Sizes, models and finishes may differ from those presented.

Warranty

This Riobel Inc. product you have purchased carries a Limited Lifetime Warranty on the chrome, PVD finish, blacks and all working parts and is guaranteed from the initial purchase date against all manufacturing defects. All other finishes, including plastic components, are guaranteed for one year. All electric and/or electronic parts are covered by a 5-year limited warranty. The warranty offered on our products will be honored only if the installation is performed by a certified master plumber.

Customer Care

Phone (800) 777 - 9762 | Email: customer-care@houseofrohl.com | Website: houseofrohl.com/support/contact-us

Consult your local House of Rohl showroom for additional information and specifications. For complete warranty details and a list of showrooms, go to houseofrohl.com