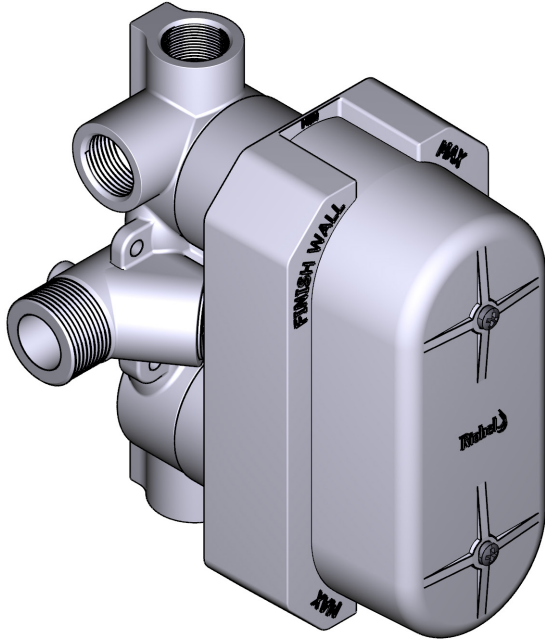


**INSTRUCTION MANUAL**  
**MANUEL D'INSTRUCTIONS**  
**MANUAL DE INSTRUCCIONES**



R46, 4-way Type T/P  
(thermostatic/pressure balance)

R46, ¾" coaxial valve rough  
Brut de valve double 4 voies coaxiale,  
Type T/P (thermo/pression équilibrée)

Válvula coaxial de 4 vías tipo T/P  
(termostática/con equilibrio de presión) R46

**HELPFUL TOOLS**

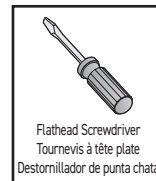
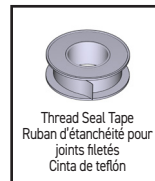
For safety and ease of installation, the use of these helpful tools is recommended.

**OUTILS UTILES**

Pour des raisons de sécurité et de facilité d'installation, l'utilisation de ces outils utiles est recommandée.

**HERRAMIENTAS ÚTILES**

Por seguridad y facilidad de instalación, se recomienda el uso de estas útiles herramientas.



## Parts List

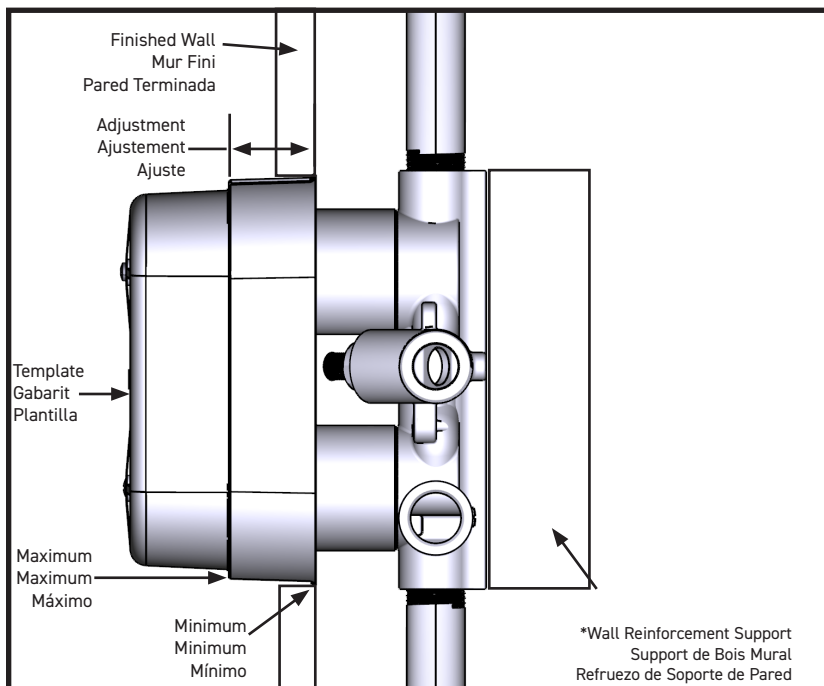
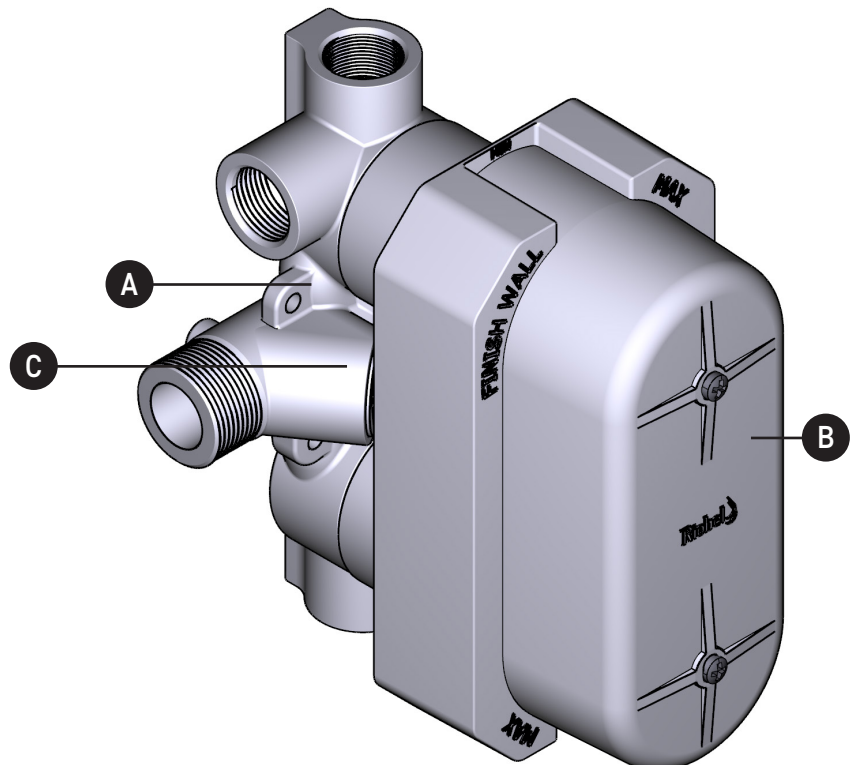
- A. Valve
- B. Plaster Ground
- C. Stop Valve

## Liste des pièces

- A. Valve
- B. Gabarit d'installation
- C. Valve d'arrêt

## Lista de piezas

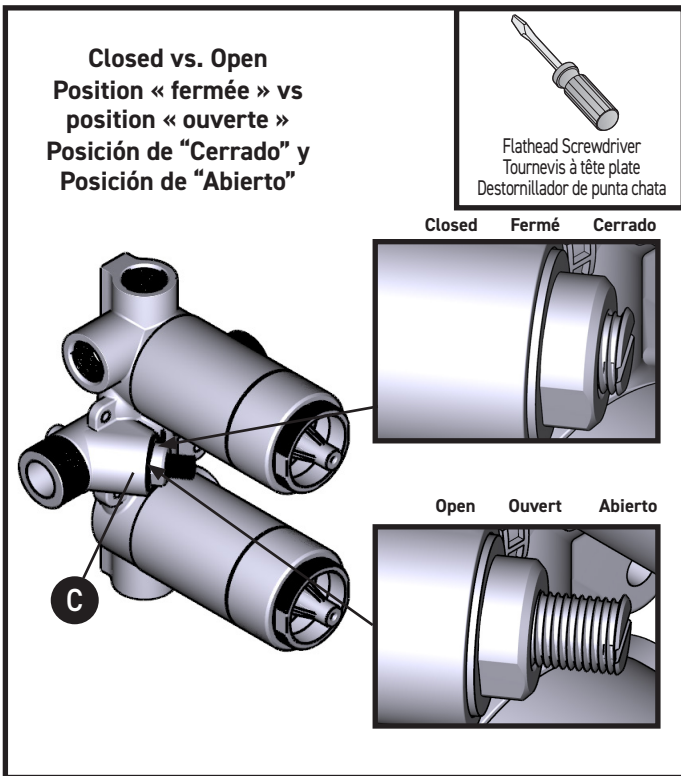
- A. Válvula
- B. Protector de válvula
- C. Válvula de cierre



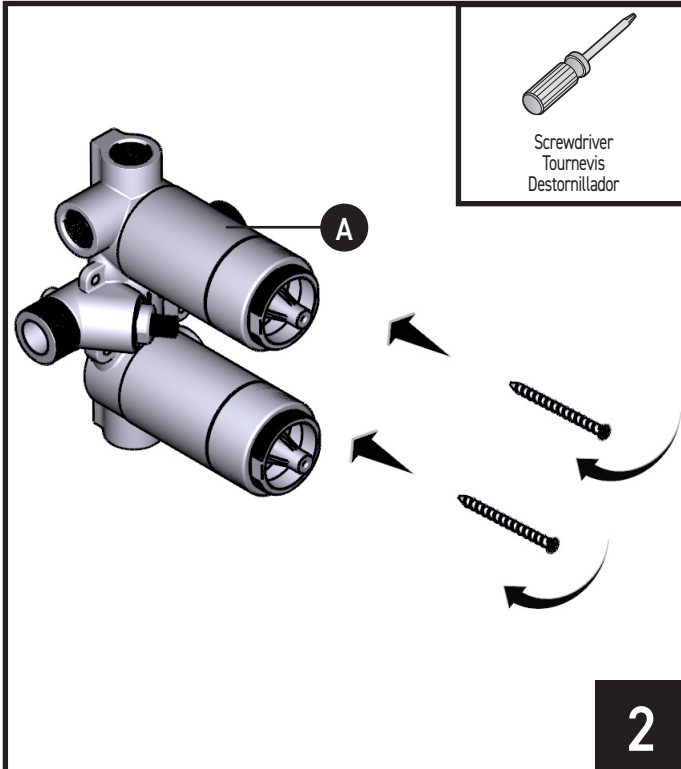
**⚠ CAUTION – TIPS FOR REMOVAL OF OLD FAUCET:**  
Always turn water supply OFF before removing existing faucet or disassembling the valve. Open faucet handle to relieve water pressure and ensure that complete water shut-off has been accomplished.

**ATTENTION – CONSEILS POUR LE RETRAIT DE L'ANCIEN ROBINET:**  
Toujours couper l'alimentation en eau avant de retirer ou de démonter le robinet. Ouvrir le robinet pour libérer la pression d'eau et pour s'assurer que l'alimentation en eau a bien été coupée.

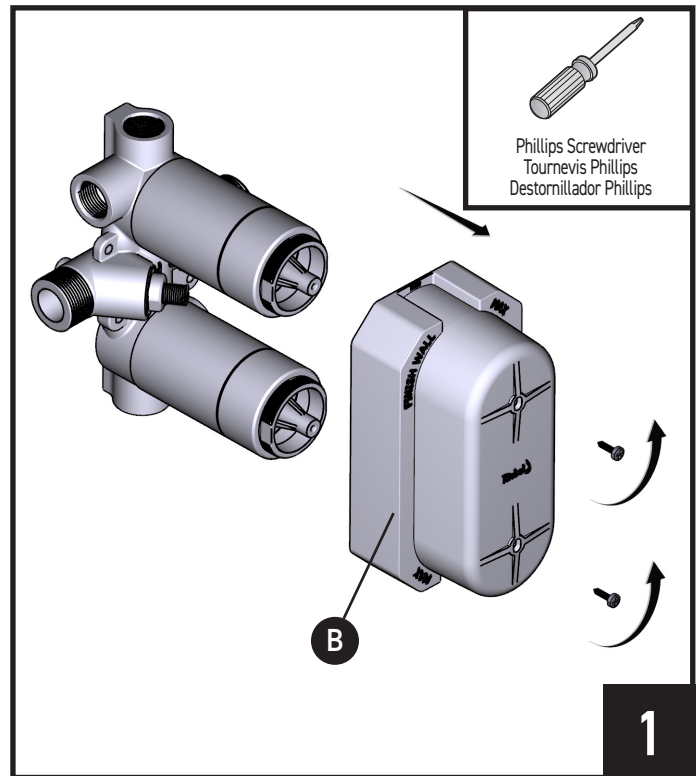
**PRECAUCIÓN – CONSEJOS PARA CAMBIAR LA LLAVE MEZCLADORA:**  
Siempre CIERRE la toma de agua antes de quitar la llave existente o desmontar la válvula. Abra la llave para liberar la presión, y asegúrese de que esté bien cerrada el agua.



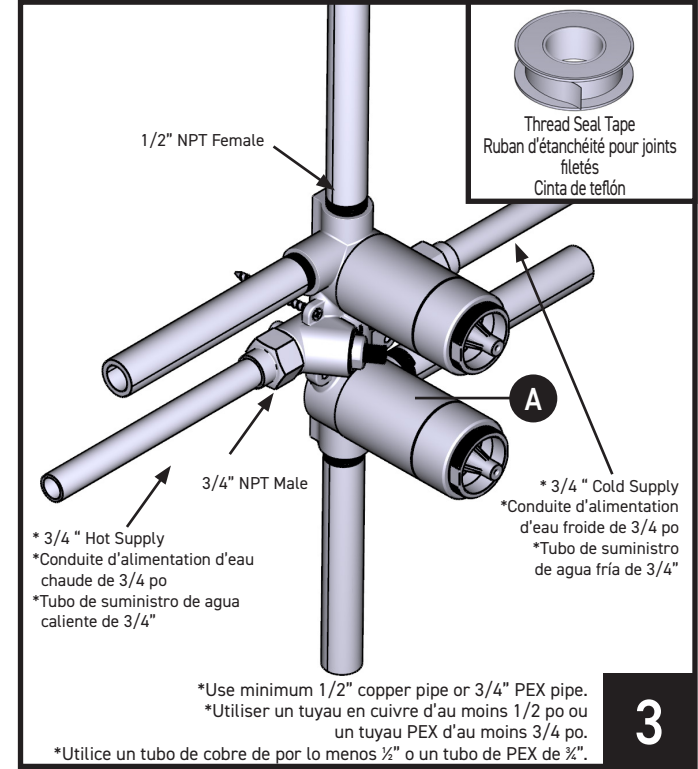
1. Using a flathead screwdriver, adjust the stop valve (C) screw head, so it is in the open position as shown.
1. À l'aide d'un tournevis à tête plate, tourner la tête de la vis de la valve d'arrêt (C) de façon qu'elle se trouve à la position « ouverte », comme illustré ci-dessus.
1. Con un desarmador de punta plana, ajuste la cabeza del perno de la válvula de cierre (C), de modo que esté en la posición de abierto como se muestra en la imagen.



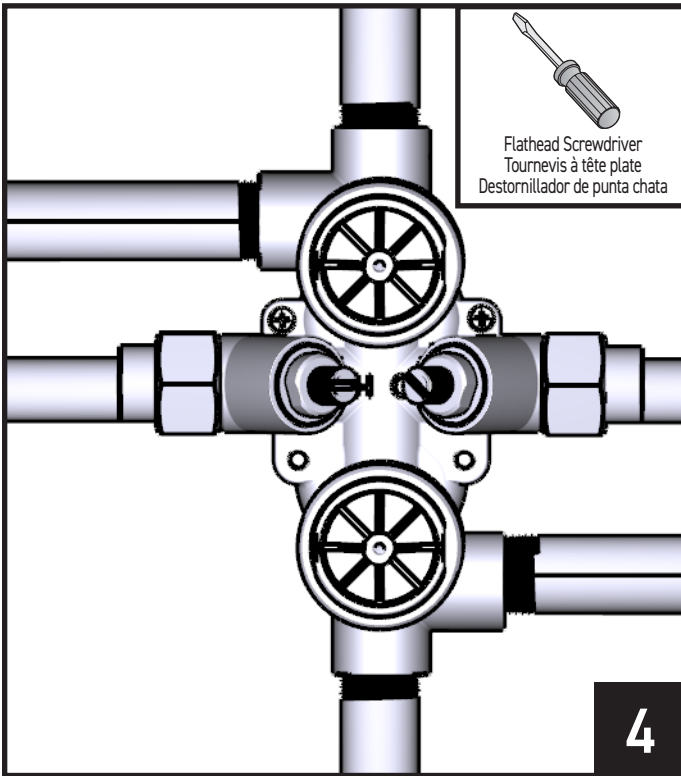
1. Secure the Valve (A) to a 2 x 4 backing board with 2 wood screws (*not supplied*) and firmly tighten with a screwdriver.
1. Fixer la valve (A) à une planche de fixation de 2 x 4 avec deux vis à bois (*non fournis*) et bien serrer le tout avec un tournevis.
1. Asegure la válvula (A) a una tabla de respaldo de 2 x 4 con 2 tornillos para madera (*no incluidos*) y apriete firmemente con un desarmador de cruz.



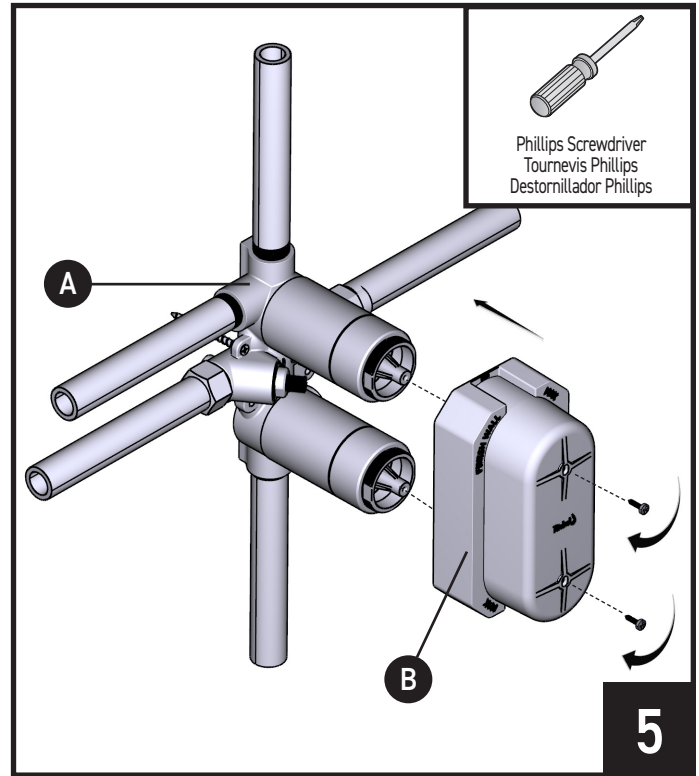
1. Using a Phillips screwdriver, remove the plaster ground screws and pull off the plaster ground (B). Set aside for re-installation.
1. À l'aide d'un tournevis Phillips, retirer les vis du gabarit d'installation (B) de la valve. Le mettre de côté pour la réinstallation.
1. Con un desarmador de cruz, quite los tornillos de la tapa de protección (B) y retírela. Consérvela para volver a instalarla.



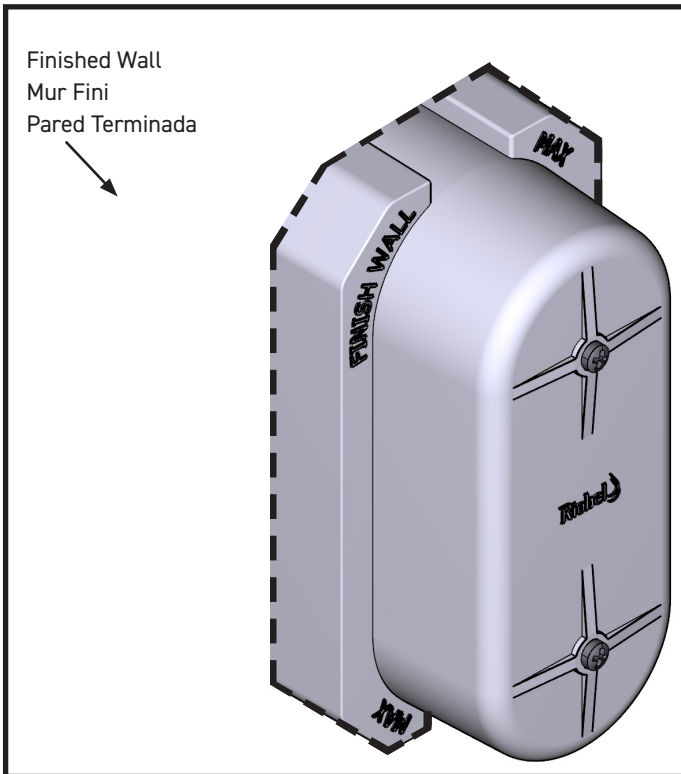
1. Apply 15-20 turns of Thread Seal Tape to threads of Valve (A).
2. Installation shows Male NPT type. Tighten with wrench.
1. Faire de 15 à 20 tours avec le ruban pour joint fileté autour des filets de la valve (A).
2. L'illustration montre une installation effectuée au moyen d'un raccord mâle de type NPT. Serrer le tout avec une clé ajustable.
1. Aplique de 15 a 20 vueltas de cinta teflón a las roscas de la válvula (A).
2. La imagen muestra una instalación con un acoplador macho tipo NPT. Apriete con una llave inglesa.



1. Check for leaks. **Cap outlets to keep under pressure.**
1. S'assurer qu'il n'y a aucune fuite. **Bloquer les sorties pour garder sous pression.**
1. Verifique que no haya fugas. **Tape las salidas para mantener baja presion.**



1. Re-install the plaster ground **(B)** to the Valve **(A)** with the plaster ground screws and tighten with a Phillips screwdriver.
1. Remettre le gabarit d'installation **(B)** sur la valve **(A)** à l'aide des vis du gabarit d'installation et le serrer avec un tournevis Phillips.
1. Vuelva a instalar la tapa de protección **(B)** en la válvula **(A)** con los tornillos correspondientes y apriete con un desarmador de cruz.



- Installation is complete.  
 L'installation est terminée.  
 La instalación está completa.





## LIMITED WARRANTY GARANTIE LIMITÉE GARANTÍA LIMITADA

Most products or parts carry "Limited Warranties" against manufacturing defects.  
For US Customers please visit [houseofrohl.com/support](http://houseofrohl.com/support) and for Canadian customers please visit [riobel.ca](http://riobel.ca) for complete product and finish warranty.

La plupart des produits ou pièces comprend des «garanties limitées» contre les défauts de fabrication. Pour les clients des États-Unis : veuillez consulter [houseofrohl.com/support](http://houseofrohl.com/support); Pour les clients du Canada : veuillez consulter [riobel.ca](http://riobel.ca) pour connaître les conditions complètes de la garantie des produits et finis.

La mayoría de los productos o piezas presentan "Garantías limitadas" contra defectos de fabricación. La mayoría de los productos o piezas cuentan con "Garantías Limitadas" por defectos de fabricación. A los clientes en EE. UU. se les recomienda visitar [houseofrohl.com/support](http://houseofrohl.com/support) y a los clientes en Canadá, [riobel.ca](http://riobel.ca), para consultar las condiciones completas de la garantía de los productos y acabados.

## FINISH CARE & MAINTENANCE ENTRETIEN DE VOTRE FINI CUIDADO Y MANTENIMIENTO DEL ACABADO

The finishing touch on every product is its exquisite surface. Great care has been taken to ensure that the final step in the manufacturing - whether it is a sink, faucet, fitting or an accessory - delivers perfection. Like any quality item, no matter how durable, care should be taken when cleaning and maintaining these finishes. For US Customers please visit [houseofrohl.com/support](http://houseofrohl.com/support) and for Canadian customers please visit [riobel.ca](http://riobel.ca) for complete finish care and cleaning instructions for your particular finish.

Ce qui distingue nos robinets des autres produits, c'est leur surface d'une beauté exceptionnelle. Un grand soin a été pris pour que la dernière étape de la fabrication - que ce soit pour un évier, un robinet, une composante ou un accessoire - soit fait à la perfection. Comme pour tout article de grande qualité, quelque soit sa durabilité, des précautions doivent être prises lors du nettoyage et de l'entretien des finis. Pour les clients des États-Unis : veuillez consulter [houseofrohl.com/support](http://houseofrohl.com/support); Pour les clients du Canada : veuillez consulter [riobel.ca](http://riobel.ca) pour connaître les instructions complètes d'entretien et nettoyage des finis.

El toque final de todo producto es su exquisita superficie. Se ha tenido sumo cuidado para asegurar que el último paso de la fabricación - ya sea de un fregadero, una mezcladora, un herraje o un accesorio - tenga como resultado la perfección. Como con cualquier artículo de calidad, no importa cuán duradero, se debe tener ciertos cuidados al limpiar y mantener estos acabados. A los clientes en EE. UU. se les recomienda visitar [houseofrohl.com/support](http://houseofrohl.com/support) y a los clientes en Canadá, [riobel.ca](http://riobel.ca), para ver las instrucciones completas de cuidado y mantenimiento de su acabado particular.

## CUSTOMER CARE SERVICE À LA CLIENTÈLE ATENCIÓN AL CLIENTE

The House of Rohl® Customer Care Team is committed to efficiently serve and support; and to do so with respect, honesty, and genuineness. We will passionately work together to always exceed our customers' expectations. We strive to delight and surprise our customers, as well as our business partners. To contact one of our Customer Care Team members:

L'équipe du Service à la clientèle de House of Rohl® s'engage à servir et à soutenir nos clients de manière efficace, respectueuse, honnête et authentique. Nous travaillons avec acharnement pour toujours dépasser les attentes de nos clients afin de les ravir et de surprendre, ainsi que celles de nos partenaires d'affaires. Pour contacter le département du Service à la clientèle :

El equipo de Atención al Cliente de House of Rohl® tiene el compromiso de atender y apoyar eficientemente, y de hacerlo con respeto, honestidad y autenticidad. Juntos trabajaremos con entusiasmo para superar siempre las expectativas de nuestros clientes. Nos esforzamos por sorprender agradablemente tanto a nuestros clientes como a nuestros socios comerciales. Para ponerse en contacto con los miembros de nuestro equipo de Atención al Cliente:

U.S.A.  
HOUSEOFROHL.COM  
1-800-777-9762

QUEBEC / WEST CANADA / ATLANTIC CANADA  
HOUSEOFROHL.CA  
1-866-473-8442

ONTARIO  
HOUSEOFROHL.CA  
1-888-287-5354

A DISTINCTIVE MEMBER OF THE HOUSE OF ROHL  
UN MEMBRE DISTINCTIF DE HOUSE OF ROHL  
MIEMBRO DISTINTIVO DE LA FAMILIA HOUSE OF ROHL



# Specifications

## Descriptions

- Scale-free
- G½" inlet female
- Swivel

## Available colors

- C : Chrome
- BN : Brushed Nickel (PVD)
- PN : Polished Nickel (PVD)

## Available flows

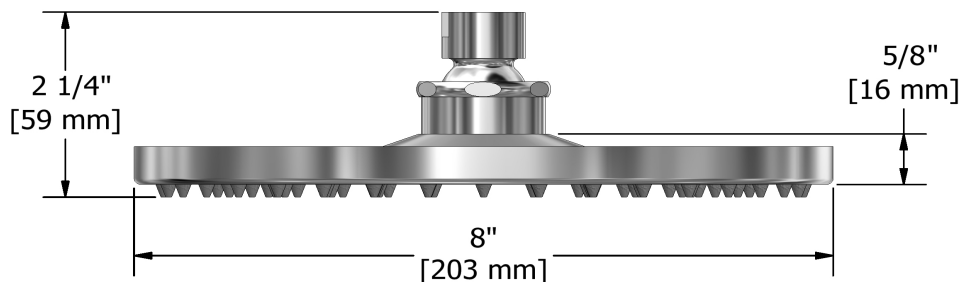
- 7.6 L/min, 2.0 gpm (US) 60psi
- 5.69 L/min, 1.5 gpm (US) 60psi ( **468-15** )
- 6.6L/min, 1.75 gpm (US) 60psi ( **468-WS** ) \*

*\*EPA certification applicable to the indicated model only\**

## Certifications

- CSA B125.1
- ASME A112.18.1
- CMR248 Approval

20 cm (8") shower head  
**468**



Sizes, models and finishes may differ from those presented.

## Warranty

This Riobel Inc. product you have purchased carries a Limited Lifetime Warranty on the chrome, PVD finish, blacks and all working parts and is guaranteed from the initial purchase date against all manufacturing defects. All other finishes, including plastic components, are guaranteed for one year. All electric and/or electronic parts are covered by a 5-year limited warranty. The warranty offered on our products will be honored only if the installation is performed by a certified master plumber.

## Customer Care

Phone (800) 777 - 9762 | Email: [customer-care@houseofrohl.com](mailto:customer-care@houseofrohl.com) | Website: [houseofrohl.com/support/contact-us](http://houseofrohl.com/support/contact-us)

Consult your local House of Rohl showroom for additional information and specifications. For complete warranty details and a list of showrooms, go to [houseofrohl.com](http://houseofrohl.com)





# Specifications



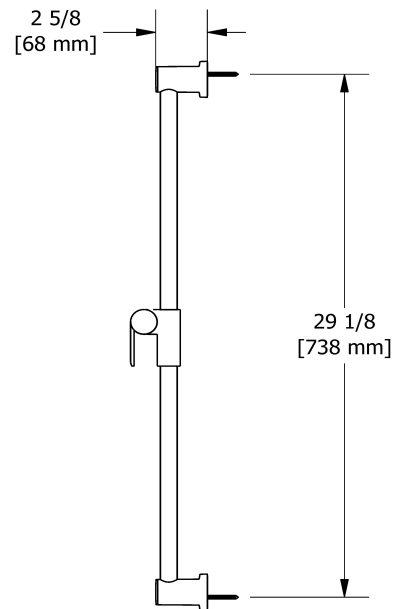
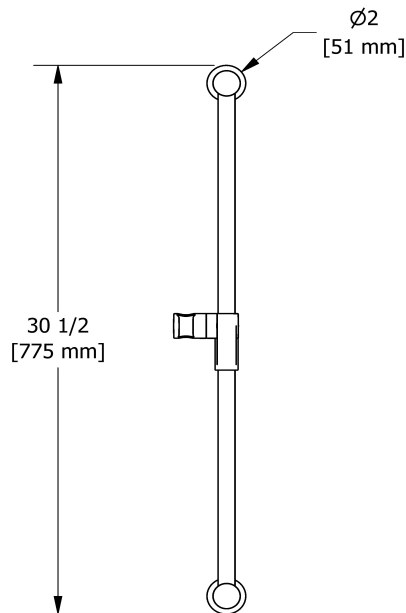
5055, 5063 shower rail  
**4855**

## Descriptions

- Ø22 mm (7/8") slide bar
- Easy-Glide left cursor

## Available colors

- C : Chrome



Sizes, models and finishes may differ from thoses presented.

## Warranty

This Riobel Inc. product you have purchased carries a Limited Lifetime Warranty on the chrome, PVD finish, blacks and all working parts and is guaranteed from the initial purchase date against all manufacturing defects. All other finishes, including plastic components, are guaranteed for one year. All electric and/or electronic parts are covered by a 5-year limited warranty. The warranty offered on our products will be honored only if the installation is performed by a certified master plumber.

## Customer Care

Phone (800) 777 - 9762 | Email: [customer-care@houseofrohl.com](mailto:customer-care@houseofrohl.com) | Website: [houseofrohl.com/support/contact-us](http://houseofrohl.com/support/contact-us)

Consult your local House of Rohl showroom for additional information and specifications. For complete warranty details and a list of showrooms, go to [houseofrohl.com](http://houseofrohl.com)





# Specifications

## Descriptions

- Scale-free
- 2-jet hand shower: tropical breeze, luxurious
- Three positions

## Available colors

- C : Chrome

## Available flows

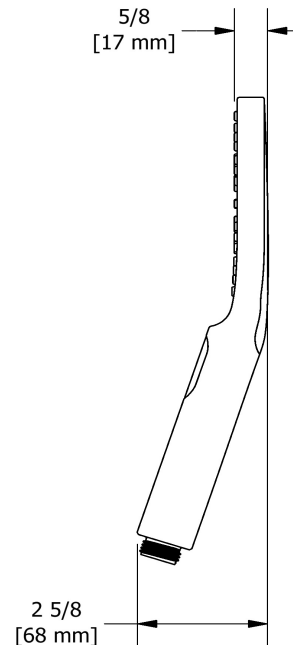
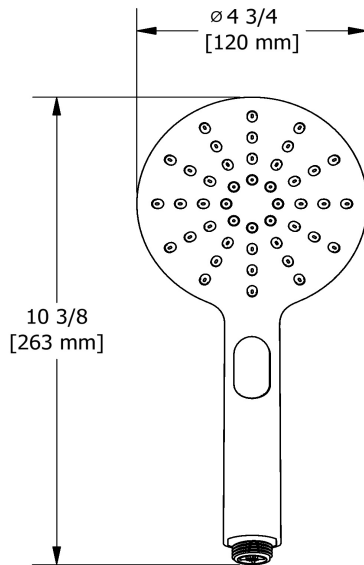
- 7.6 L/min, 2.0 gpm (US) 60psi
- 5.69 L/min, 1.5 gpm (US) 60psi ( **4364-15** )
- 6.6L/min, 1.75 gpm (US) 60psi ( **4364-WS** ) \*

*\*EPA certification applicable to the indicated model only\**

## Certifications

- CSA B125.1
- ASME A112.18.1
- CMR248 Approval

2-jet hand Shower  
**4364**



Sizes, models and finishes may differ from those presented.

## Warranty

This Riobel Inc. product you have purchased carries a Limited Lifetime Warranty on the chrome, PVD finish, blacks and all working parts and is guaranteed from the initial purchase date against all manufacturing defects. All other finishes, including plastic components, are guaranteed for one year. All electric and/or electronic parts are covered by a 5-year limited warranty. The warranty offered on our products will be honored only if the installation is performed by a certified master plumber.

## Customer Care

Phone (800) 777 - 9762 | Email: [customer-care@houseofrohl.com](mailto:customer-care@houseofrohl.com) | Website: [houseofrohl.com/support/contact-us](http://houseofrohl.com/support/contact-us)

Consult your local House of Rohl showroom for additional information and specifications. For complete warranty details and a list of showrooms, go to [houseofrohl.com](http://houseofrohl.com)



## Specifications

### Descriptions

- 150 cm (59") double interlock flexible hose, swivel and 2 check valves
- Conical nut ½" female

### Available colors

- C : Chrome
- BN : Brushed Nickel (PVD)
- PN : Polished Nickel (PVD)

### Certifications

- CSA B125.1
- ASME A112.18.1
- CMR248 Approval

150 cm (59") double interlock flexible hose, swivel  
and 2 check valves

**7259**



UPC®

### Warranty

This Riobel Inc. product you have purchased carries a Limited Lifetime Warranty on the chrome, PVD finish, blacks and all working parts and is guaranteed from the initial purchase date against all manufacturing defects. All other finishes, including plastic components, are guaranteed for one year. All electric and/or electronic parts are covered by a 5-year limited warranty. The warranty offered on our products will be honored only if the installation is performed by a certified master plumber.

### Customer Care

Phone (800) 777 - 9762 | Email: [customer care@houseofrohl.com](mailto:customer care@houseofrohl.com) | Website: [houseofrohl.com/support/contact-us](http://houseofrohl.com/support/contact-us)

Consult your local House of Rohl showroom for additional information and specifications. For complete warranty details and a list of showrooms, go to [houseofrohl.com](http://houseofrohl.com)



# Specifications

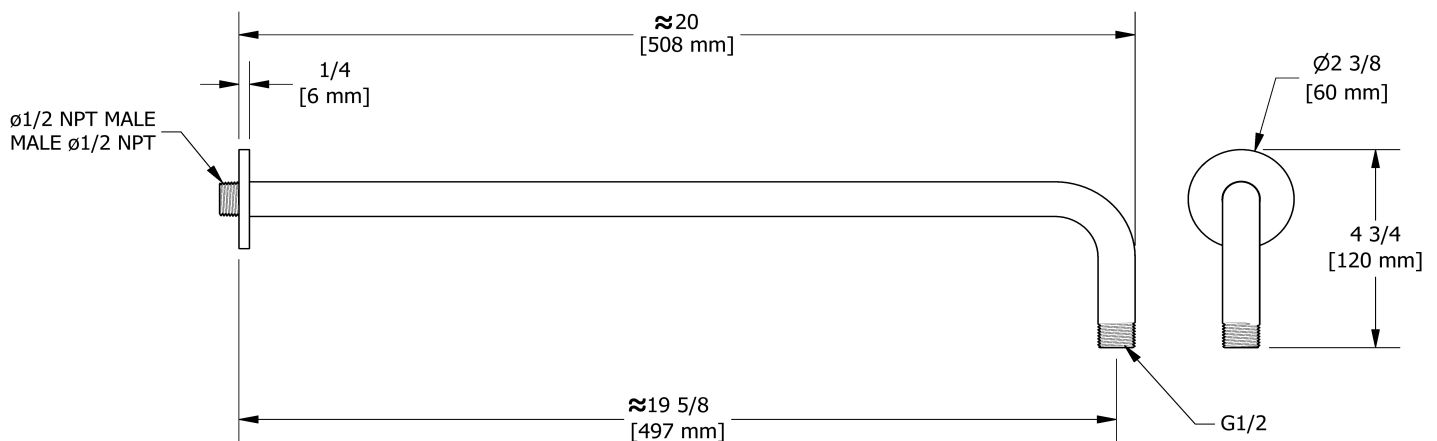
## Descriptions

- 1/2" inlet male NPT
- Round flange

## Available colors

- C : Chrome
- BN : Brushed Nickel (PVD)
- PN : Polished Nickel (PVD)

50 cm (20") shower arm  
**513**



Sizes, models and finishes may differ from those presented.

## Warranty

This Riobel Inc. product you have purchased carries a Limited Lifetime Warranty on the chrome, PVD finish, blacks and all working parts and is guaranteed from the initial purchase date against all manufacturing defects. All other finishes, including plastic components, are guaranteed for one year. All electric and/or electronic parts are covered by a 5-year limited warranty. The warranty offered on our products will be honored only if the installation is performed by a certified master plumber.

## Customer Care

Phone (800) 777 - 9762 | Email: [customer care@houseofrohl.com](mailto:customer care@houseofrohl.com) | Website: [houseofrohl.com/support/contact-us](http://houseofrohl.com/support/contact-us)

Consult your local House of Rohl showroom for additional information and specifications. For complete warranty details and a list of showrooms, go to [houseofrohl.com](http://houseofrohl.com)



# Specifications



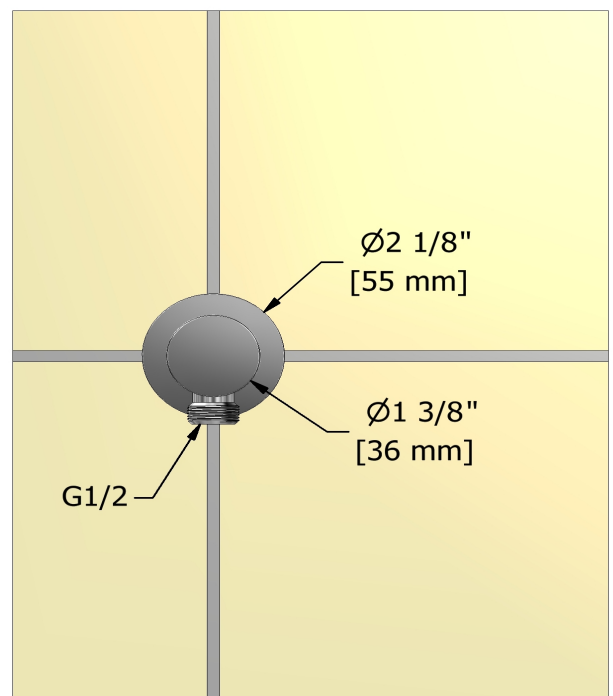
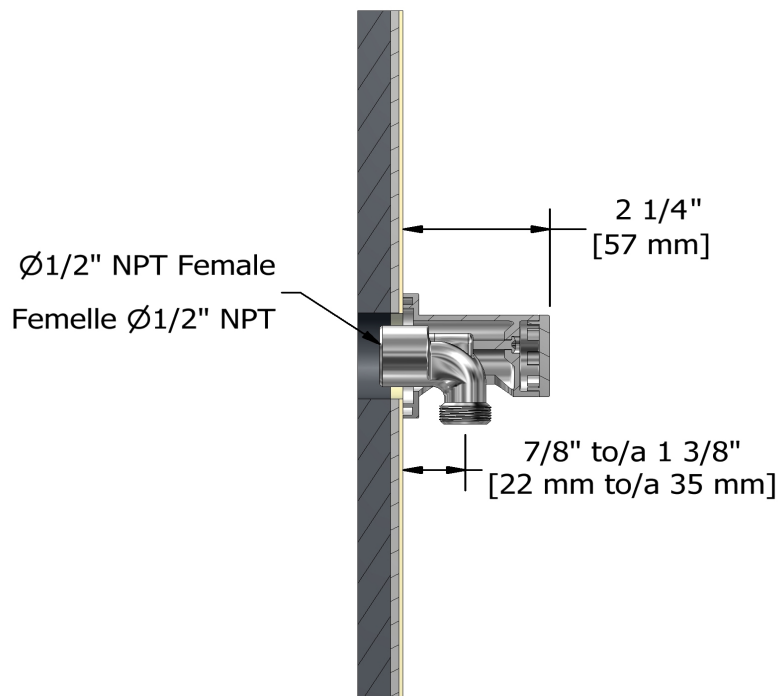
Elbow supply  
775

## Descriptions

- 1/2" outlet male
- Adjustable depth
- 1/2" inlet female NPT

## Available colors

- C : Chrome
- BN : Brushed Nickel (PVD)
- PN : Polished Nickel (PVD)



Sizes, models and finishes may differ from those presented.

## Warranty

This Riobel Inc. product you have purchased carries a Limited Lifetime Warranty on the chrome, PVD finish, blacks and all working parts and is guaranteed from the initial purchase date against all manufacturing defects. All other finishes, including plastic components, are guaranteed for one year. All electric and/or electronic parts are covered by a 5-year limited warranty. The warranty offered on our products will be honored only if the installation is performed by a certified master plumber.

## Customer Care

Phone (800) 777 - 9762 | Email: [customer-care@houseofrohl.com](mailto:customer-care@houseofrohl.com) | Website: [houseofrohl.com/support/contact-us](http://houseofrohl.com/support/contact-us)

Consult your local House of Rohl showroom for additional information and specifications. For complete warranty details and a list of showrooms, go to [houseofrohl.com](http://houseofrohl.com)