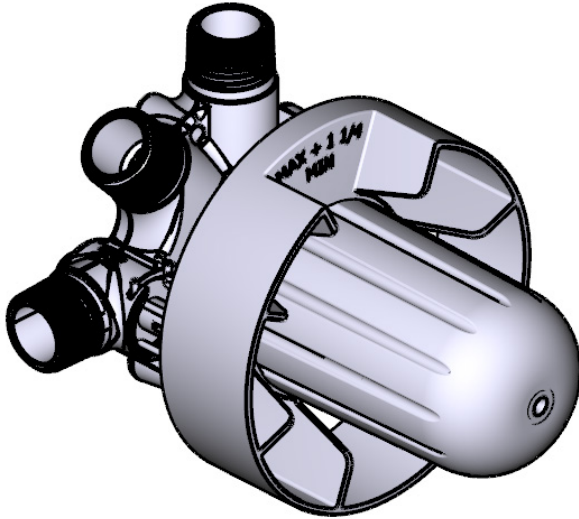


INSTRUCTION MANUAL
MANUEL D'INSTRUCTIONS
MANUAL DE INSTRUCCIONES



R45, 3-way Type T/P
(thermostatic/pressure balance)
coaxial valve rough

R45, Brut de valve 3 voies coaxiale,
Type T/P (thermo/pression équilibrée)

Válvula coaxial de 3 vías tipo T/P
(termostática/equilibrio de presión) R45

HELPFUL TOOLS

For safety and ease of installation, the use of these helpful tools is recommended.

OUTILS UTILES

Pour des raisons de sécurité et de facilité d'installation, l'utilisation de ces outils utiles est recommandée.

HERRAMIENTAS ÚTILES

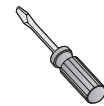
Por seguridad y facilidad de instalación, se recomienda el uso de estas útiles herramientas.



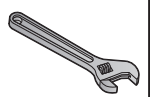
Safety Glasses
Lunettes de sécurité
Gafas de seguridad



Thread Seal Tape
Ruban d'étanchéité pour
joints filetés
Cinta de teflón



Flathead Screwdriver
Destornillador de punta chata
Tournevis à tête plate



Adjustable Wrench
Clé ajustable
Llave ajustable

Parts List

- A. Valve
- B. Valve Cover
- C. Plaster Ground
- D. Service Valve

Note: Not a stop valve (may not shut off water completely)

Liste des pièces

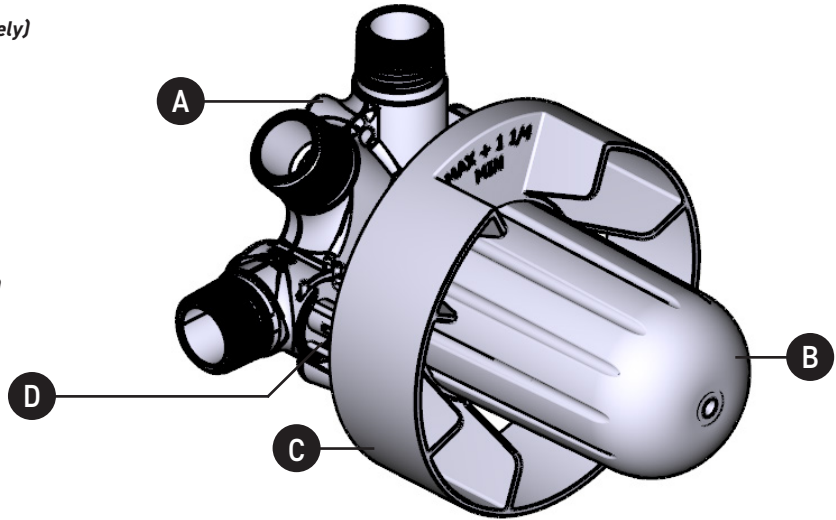
- A. Valve
- B. Couvercle de la valve
- C. Gabarit d'installation
- D. Valve de service

Remarque : Il ne s'agit pas d'une valve d'arrêt (elle ne peut couper entièrement l'alimentation en eau)

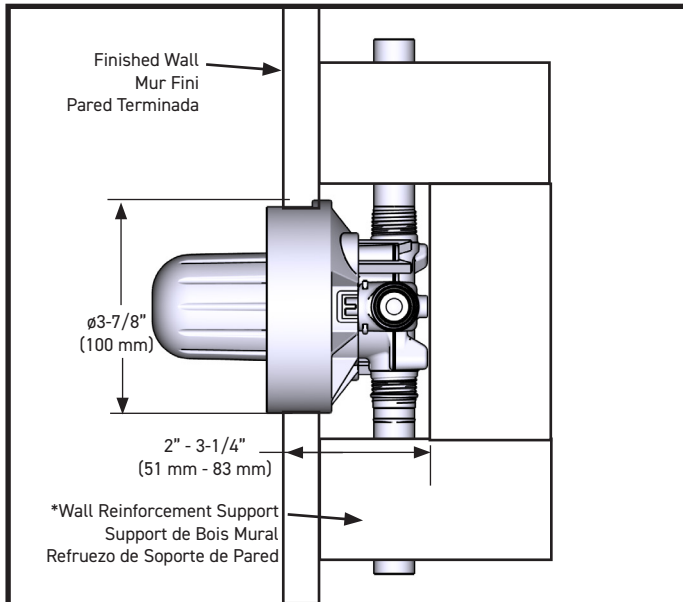
Lista de piezas

- A. Válvula
- B. Cubierta de la válvula
- C. Protector de válvula
- D. Válvula de servicio

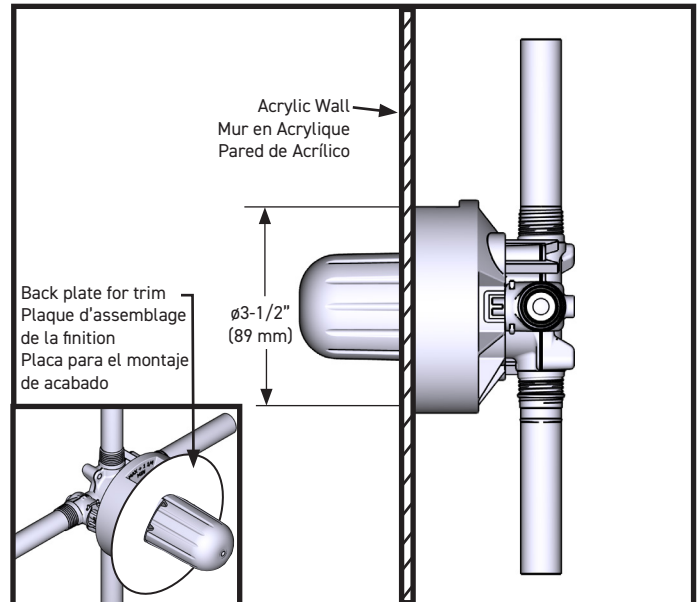
Nota: No es una válvula de cierre (podría no cerrar el suministro de agua completamente)



Standard Wall / Mur standard / Pared estándar



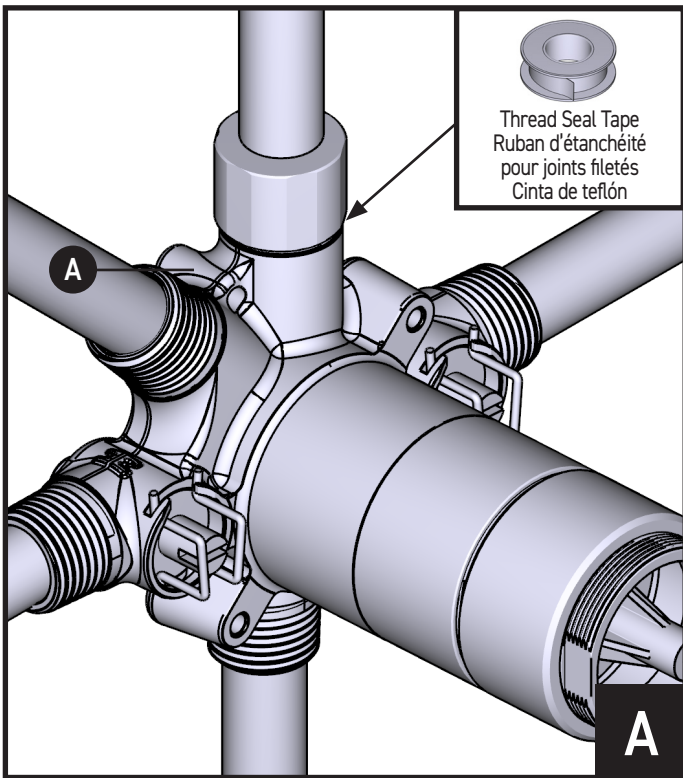
Acrylic Wall/Mur en Acrylique/Pared de Acrílico



⚠ CAUTION – TIPS FOR REMOVAL OF OLD FAUCET:
Always turn water supply OFF before removing existing faucet or disassembling the valve. Open faucet handle to relieve water pressure and ensure that complete water shut-off has been accomplished.

ATTENTION – CONSEILS POUR LE RETRAIT DE L'ANCIEN ROBINET:
Toujours couper l'alimentation en eau avant de retirer ou de démonter le robinet. Ouvrir le robinet pour libérer la pression d'eau et pour s'assurer que l'alimentation en eau a bien été coupée.

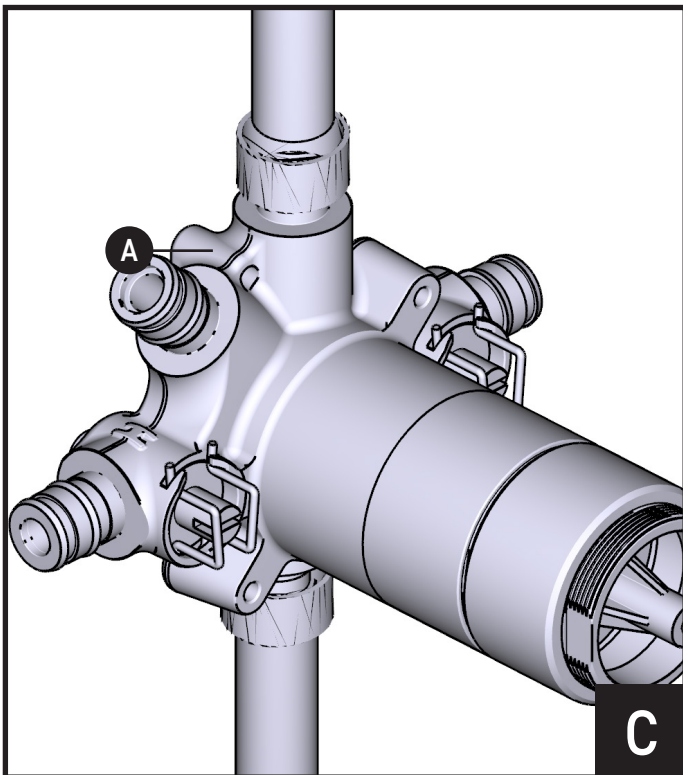
PRECAUCIÓN – CONSEJOS PARA CAMBIAR LA LLAVE MEZCLADORA:
Siempre CIERRE la toma de agua antes de quitar la llave existente o desmontar la válvula. Abra la llave para liberar la presión, y asegúrese de que esté bien cerrada el agua.



1. Apply 15-20 turns of Thread Seal Tape to threads of Valve **(A)**.
2. Installation shows Male NPT type. Tighten with wrench.

1. Faire de 15 à 20 tours avec le ruban pour joint fileté autour des filets de la valve **(A)**.
2. L'illustration montre une installation effectuée au moyen d'un raccord mâle de type NPT. Serrer le tout avec une clé.

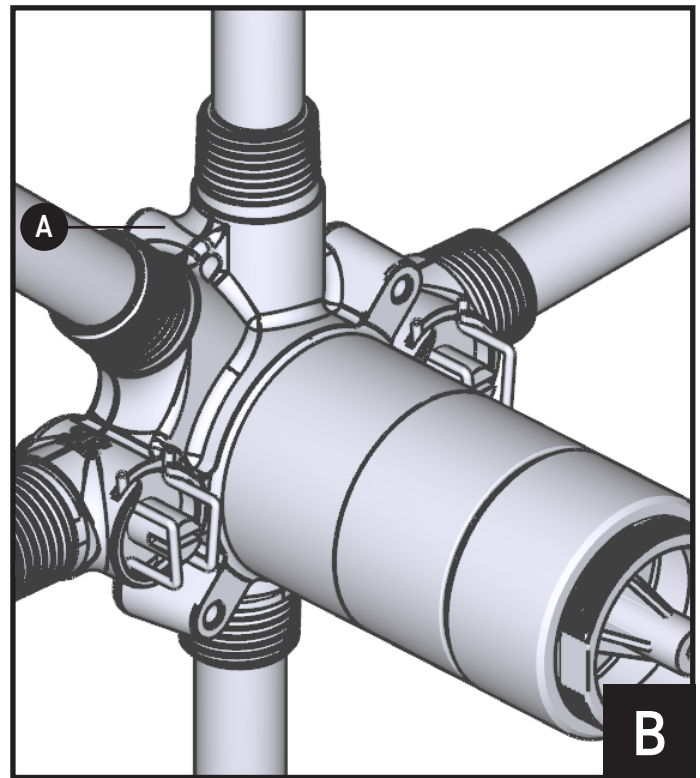
1. Aplique 15-20 vueltas de cinta de teflón a la rosca de la válvula **(A)**.
2. La instalación muestra una conexión macho de tipo NPT. Apriete con una llave.



1. Connect pipes to Valve **(A)**. Installation shows PEX.

1. Raccorder les tuyaux à la valve **(A)**. L'illustration montre une installation effectuée au moyen d'un raccord PEX.

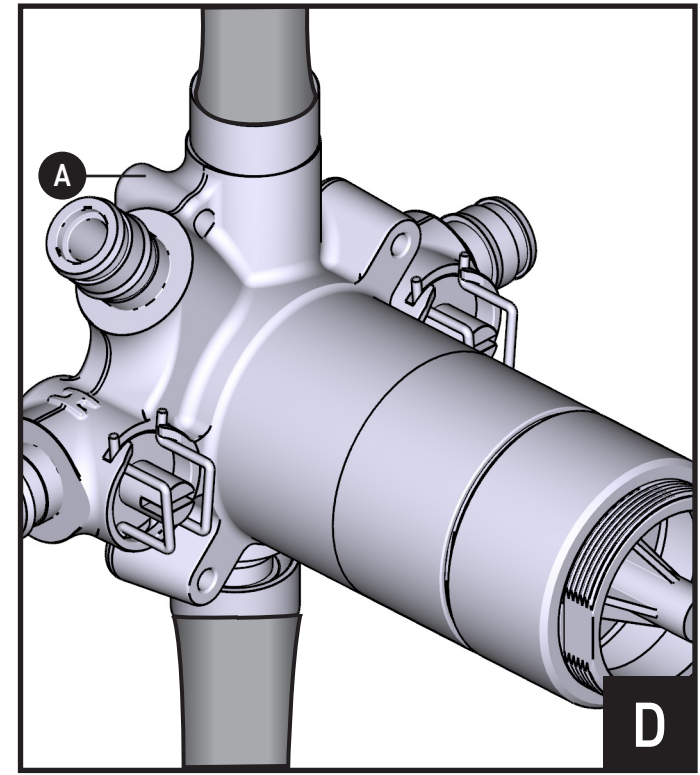
1. Conecte la tubería a la válvula **(A)**. La instalación muestra una conexión PEX.



1. Connect pipes to Valve **(A)**. Installation shows soldering.

1. Raccorder les tuyaux à la valve **(A)**. L'illustration montre le résultat d'une installation effectuée au moyen d'un brasage.

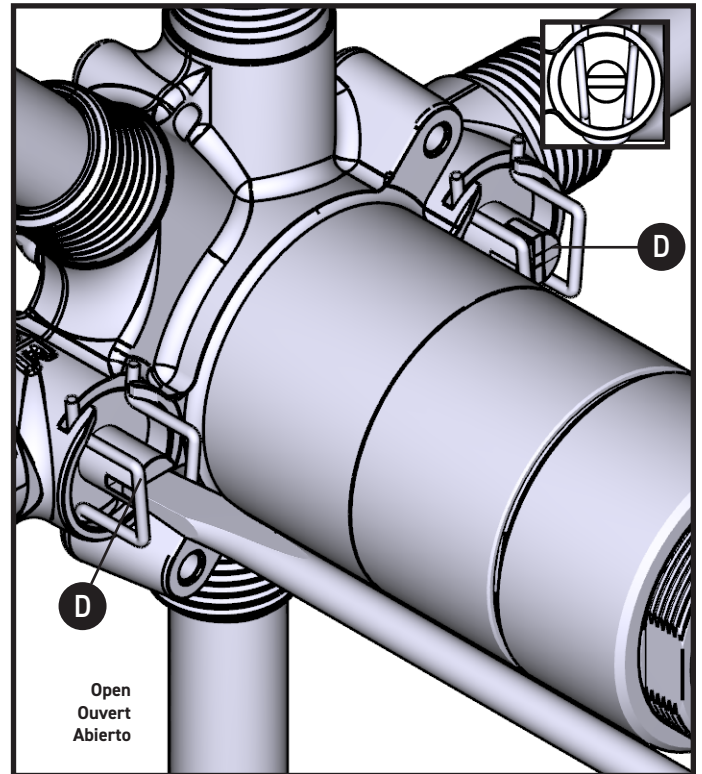
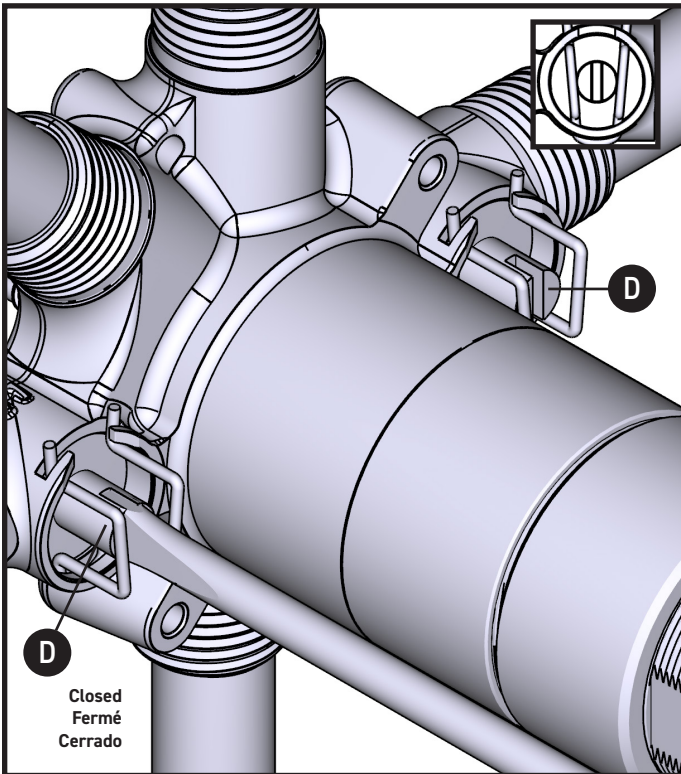
1. Conecte la tubería a la válvula **(A)**. La instalación muestra una soldadura.



1. Connect pipes to Valve **(A)**. Installation shows CPEX (cold expansion PEX).

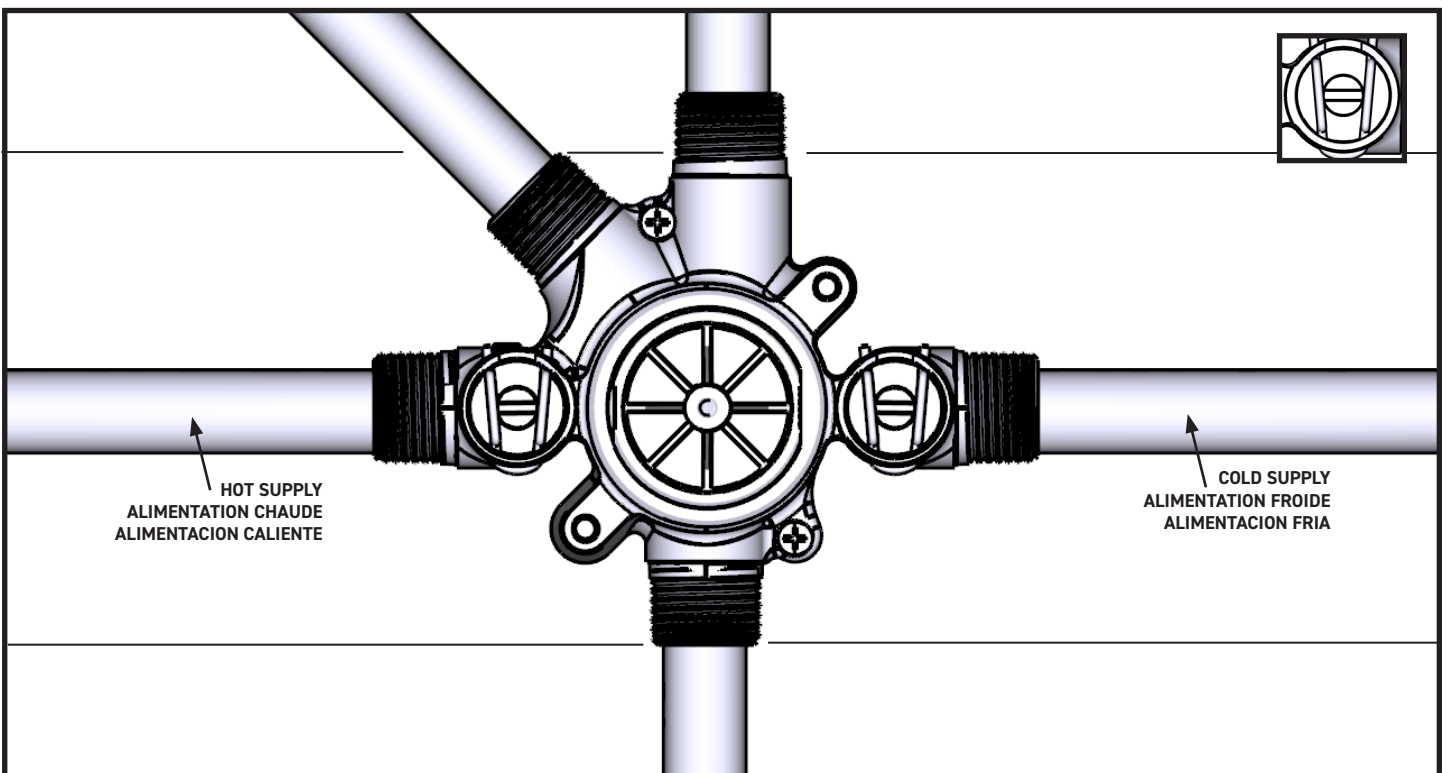
1. Raccorder les tuyaux à la valve **(A)**. L'illustration montre une installation effectuée au moyen d'un raccord CPEX (raccord de dilatation à froid PEX).

1. Conecte la tubería a la válvula **(A)**. La instalación muestra una conexión CPEX (con dilatación en frío PEX).

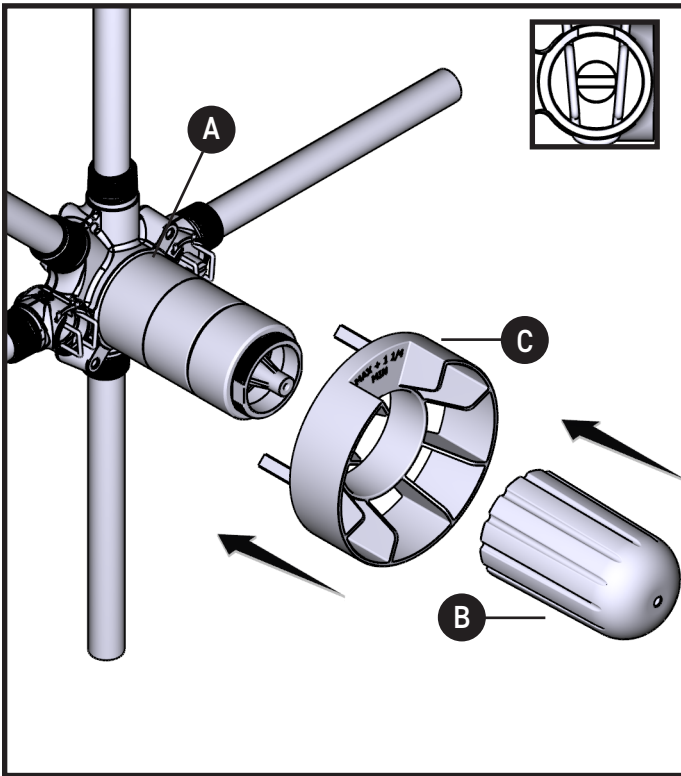


1. Using a flathead screwdriver, rotate the Service Valves (D) to the open position. *(Illustration shown is the closed position.)*
1. À l'aide d'un tournevis à tête plate, en faisant pivoter les valves de service (D), les placer à la position « ouverte ». *(Dans l'illustration ci-dessus, les valves sont à la position « fermée ».)*
1. Con un destornillador de punta plana, gire las válvulas de servicio (D) a la posición abierta. *(La ilustración que se muestra está en posición cerrada).*

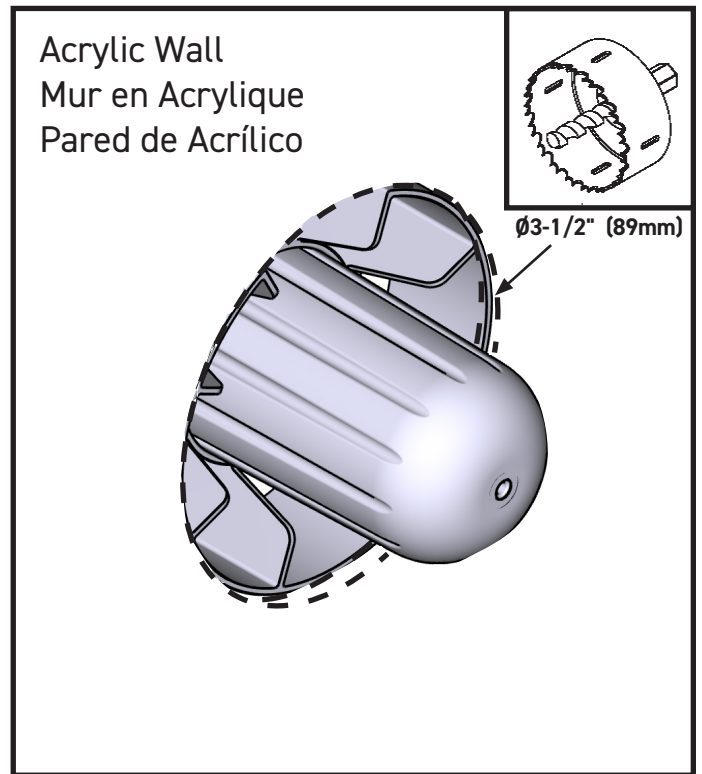
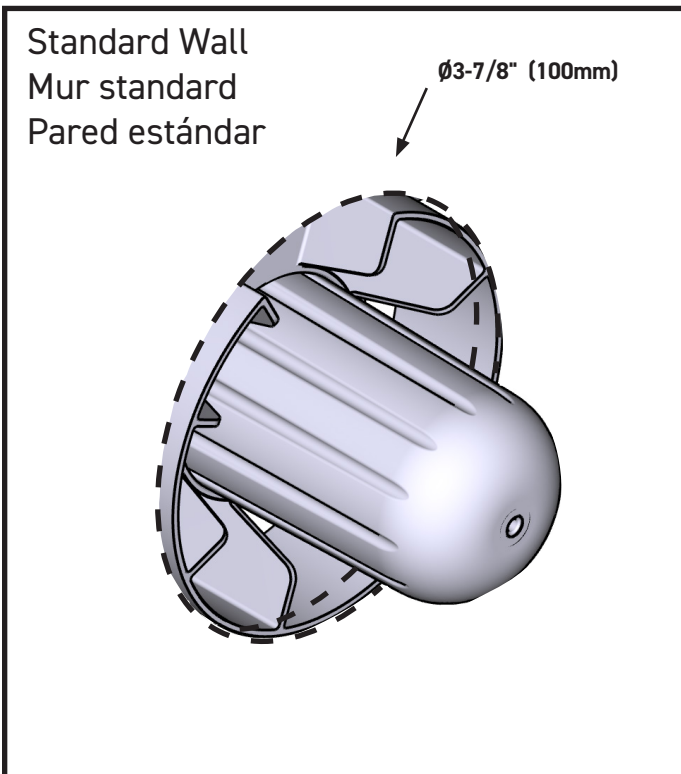
1. Ensure Service Valves (D) are now in the open position as illustrated.
1. S'assurer que les valves de service (D) se trouvent maintenant dans la position « ouverte », comme illustré ci-dessus.
1. Asegúrese de que las válvulas de servicio (D) estén ahora en la posición abierta como se muestra.



1. Check for leaks. **Cap outlets to keep under pressure.**
1. S'assurer qu'il n'y a aucune fuite. **Bloquer les sorties pour garder sous pression.**
1. Verifique que no haya fugas. **Tape las salidas para mantener baja presión.**



- 1. Install Plaster Ground (C) and Valve Cover (B) onto Valve (A).
- 1. Installer le gabarit d'installation (C) et le couvercle de la valve (B) sur la valve (A).
- 1. Instale el protector de válvula (C) y la cubierta de la válvula (B) en la válvula (A).



U.S.A.
HOUSEOFROHL.COM
1-800-777-9762

QUEBEC / WEST CANADA / ATLANTIC CANADA
HOUSEOFROHL.CA
1-866-473-8442

ONTARIO
HOUSEOFROHL.CA
1-888-287-5354

A DISTINCTIVE MEMBER OF THE HOUSE OF ROHL
UN MEMBRE DISTINCTIF DE HOUSE OF ROHL
MIEMBRO DISTINTIVO DE LA FAMILIA HOUSE OF ROHL

INS-45-ROUGH-REV00



Specifications

Descriptions

- 150 cm (59") double interlock flexible hose, swivel and 2 check valves
- Conical nut ½" female

Available colors

- C : Chrome
- BN : Brushed Nickel (PVD)
- PN : Polished Nickel (PVD)

Certifications

- CSA B125.1
- ASME A112.18.1
- CMR248 Approval

150 cm (59") double interlock flexible hose, swivel
and 2 check valves

7259



UPC®

Warranty

This Riobel Inc. product you have purchased carries a Limited Lifetime Warranty on the chrome, PVD finish, blacks and all working parts and is guaranteed from the initial purchase date against all manufacturing defects. All other finishes, including plastic components, are guaranteed for one year. All electric and/or electronic parts are covered by a 5-year limited warranty. The warranty offered on our products will be honored only if the installation is performed by a certified master plumber.

Customer Care

Phone (800) 777 - 9762 | Email: customer care@houseofrohl.com | Website: houseofrohl.com/support/contact-us

Consult your local House of Rohl showroom for additional information and specifications. For complete warranty details and a list of showrooms, go to houseofrohl.com



Specifications

Descriptions

- Scale-free
- Swivel
- G½" inlet female

Available colors

- C : Chrome
- BN : Brushed Nickel (PVD)
- PN : Polished Nickel (PVD)

Available flows

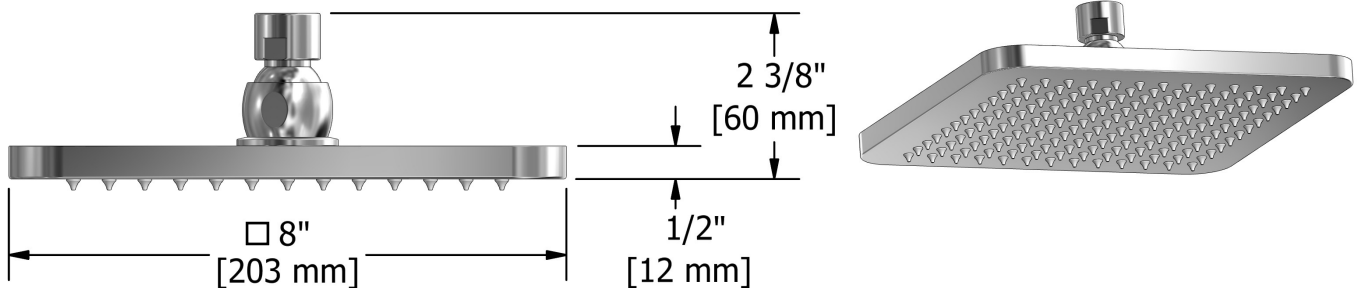
- 7.6 L/min, 2.0 gpm (US) 60psi
- 5.69 L/min, 1.5 gpm (US) 60psi (**478-15**)
- 6.6L/min, 1.75 gpm (US) 60psi (**478-WS**) *

EPA certification applicable to the indicated model only

Certifications

- CSA B125.1
- ASME A112.18.1
- CMR248 Approval

20 cm (8") shower head
478



Sizes, models and finishes may differ from thoses presented.

Warranty

This Riobel Inc. product you have purchased carries a Limited Lifetime Warranty on the chrome, PVD finish, blacks and all working parts and is guaranteed from the initial purchase date against all manufacturing defects. All other finishes, including plastic components, are guaranteed for one year. All electric and/or electronic parts are covered by a 5-year limited warranty. The warranty offered on our products will be honored only if the installation is performed by a certified master plumber.

Customer Care

Phone (800) 777 - 9762 | Email: customer-care@houseofrohl.com | Website: houseofrohl.com/support/contact-us

Consult your local House of Rohl showroom for additional information and specifications. For complete warranty details and a list of showrooms, go to houseofrohl.com



Specifications

Descriptions

- Scale-free
- 2-jet hand shower: tropical breeze, luxurious
- Three positions

Available colors

- C : Chrome

Available flows

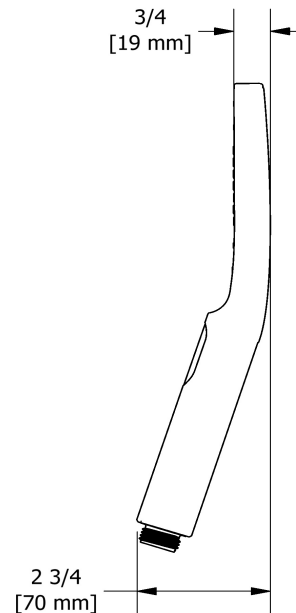
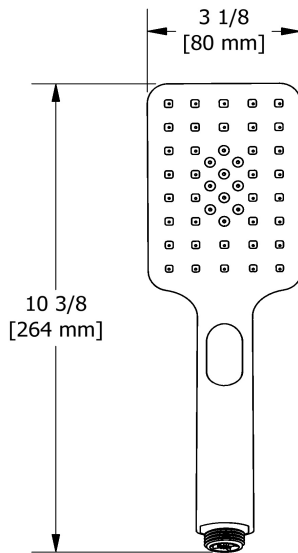
- 7.6 L/min, 2.0 gpm (US) 60psi
- 5.69 L/min, 1.5 gpm (US) 60psi (**4365-15**)
- 6.6L/min, 1.75 gpm (US) 60psi (**4365-WS**) *

EPA certification applicable to the indicated model only

Certifications

- CSA B125.1
- ASME A112.18.1
- CMR248 Approval

2-jet hand Shower
4365



Sizes, models and finishes may differ from those presented.

Warranty

This Riobel Inc. product you have purchased carries a Limited Lifetime Warranty on the chrome, PVD finish, blacks and all working parts and is guaranteed from the initial purchase date against all manufacturing defects. All other finishes, including plastic components, are guaranteed for one year. All electric and/or electronic parts are covered by a 5-year limited warranty. The warranty offered on our products will be honored only if the installation is performed by a certified master plumber.

Customer Care

Phone (800) 777 - 9762 | Email: customer-care@houseofrohl.com | Website: houseofrohl.com/support/contact-us

Consult your local House of Rohl showroom for additional information and specifications. For complete warranty details and a list of showrooms, go to houseofrohl.com



Rail de douche sans douchette

4862



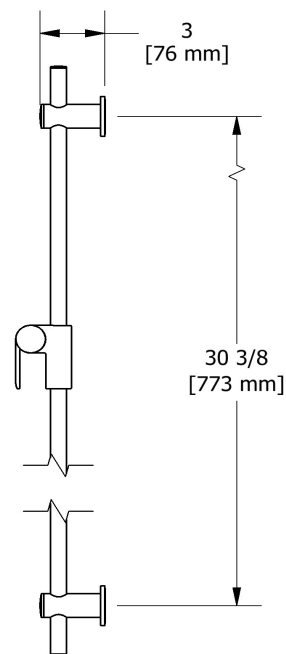
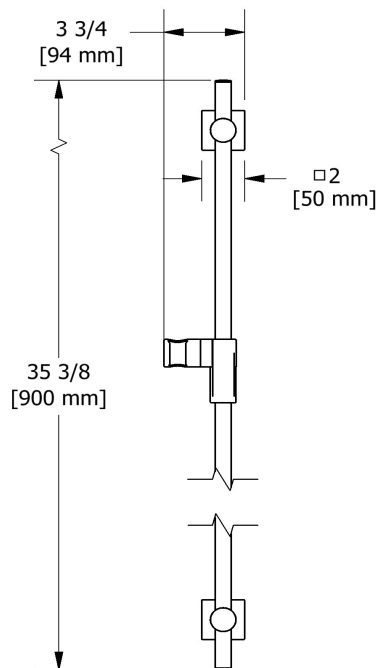
Spécifications

Descriptions

- Curseur Easy-Glide à gauche
- Barre Ø19 mm (3/4")

Couleurs disponible

- C : Chrome
- BN : Nickel brossé (PVS)
- PN : Nickel poli (PVS)



Les dimensions, les modèles et les finis présentés peuvent différer.

Garantie

Le produit **Riobel Inc.** que vous venez d'acquérir est couvert par une garantie À VIE limitée contre tout vice de fabrication sur les pièces et les finis chrome, PVS et noirs et toutes les pièces actives à partir de la date d'achat. Les autres finis, notamment les plastiques, sont garantis un an. Tous les composants électriques et électroniques sont couverts par une garantie limitée de 5 ans.

Service à la clientèle

Ontario, Ouest Canadien : 888-287-5354 Québec, Maritimes, États-Unis : 866-473-8442



Shower rail without hand shower

4862



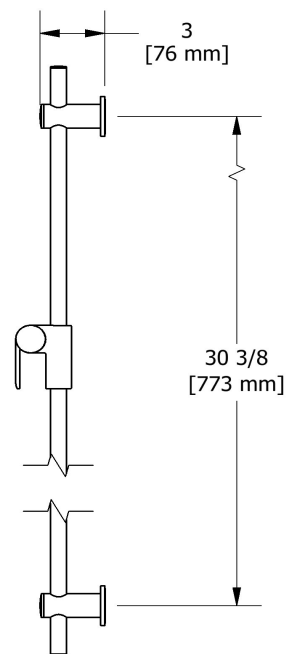
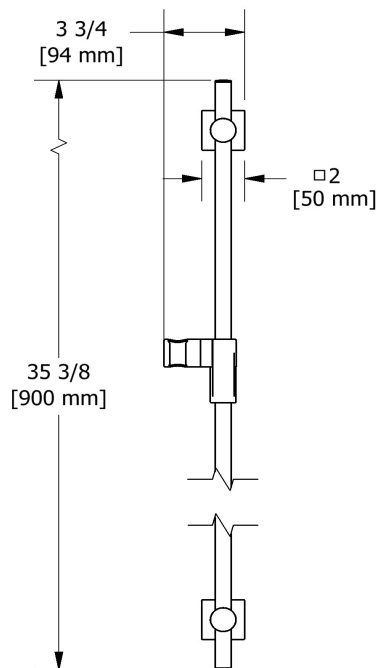
Specifications

Descriptions

- Easy-Glide left cursor
- Ø19 mm (¾") slide bar

Available colors

- C : Chrome
- BN : Brushed Nickel (PVD)
- PN : Polished Nickel (PVD)



Sizes, models and finishes may differ from those presented.

Warranty

This **Riobel Inc.** product you have purchased carries a Limited Lifetime Warranty on the chrome, PVD finish, blacks and all working parts and is guaranteed from the initial purchase date against all manufacturing defects. All other finishes, including plastic components, are guaranteed for one year. All electric and/or electronic parts are covered by a 5-year limited warranty.

Customer Service

Ontario, West Canada : 888-287-5354 Quebec, Maritimes, United States : 866-473-8442



Specifications

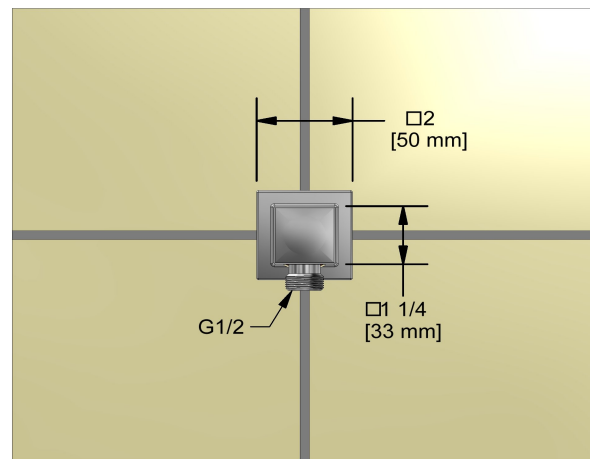
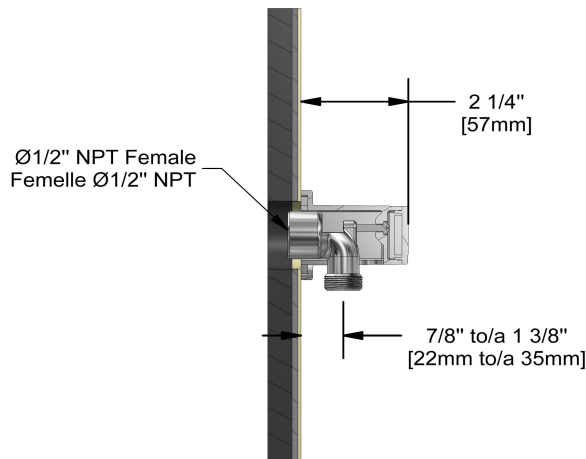
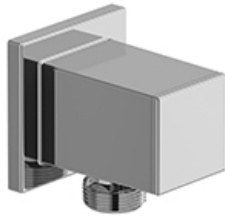
Descriptions

- 1/2" inlet female NPT
- 1/2" outlet male
- Adjustable depth

Available colors

- C : Chrome
- BN : Brushed Nickel (PVD)
- PN : Polished Nickel (PVD)

Elbow supply
774



Sizes, models and finishes may differ from those presented.

Warranty

This Riobel Inc. product you have purchased carries a Limited Lifetime Warranty on the chrome, PVD finish, blacks and all working parts and is guaranteed from the initial purchase date against all manufacturing defects. All other finishes, including plastic components, are guaranteed for one year. All electric and/or electronic parts are covered by a 5-year limited warranty. The warranty offered on our products will be honored only if the installation is performed by a certified master plumber.

Customer Care

Phone (800) 777 - 9762 | Email: customer care@houseofrohl.com | Website: houseofrohl.com/support/contact-us

Consult your local House of Rohl showroom for additional information and specifications. For complete warranty details and a list of showrooms, go to houseofrohl.com

Specifications

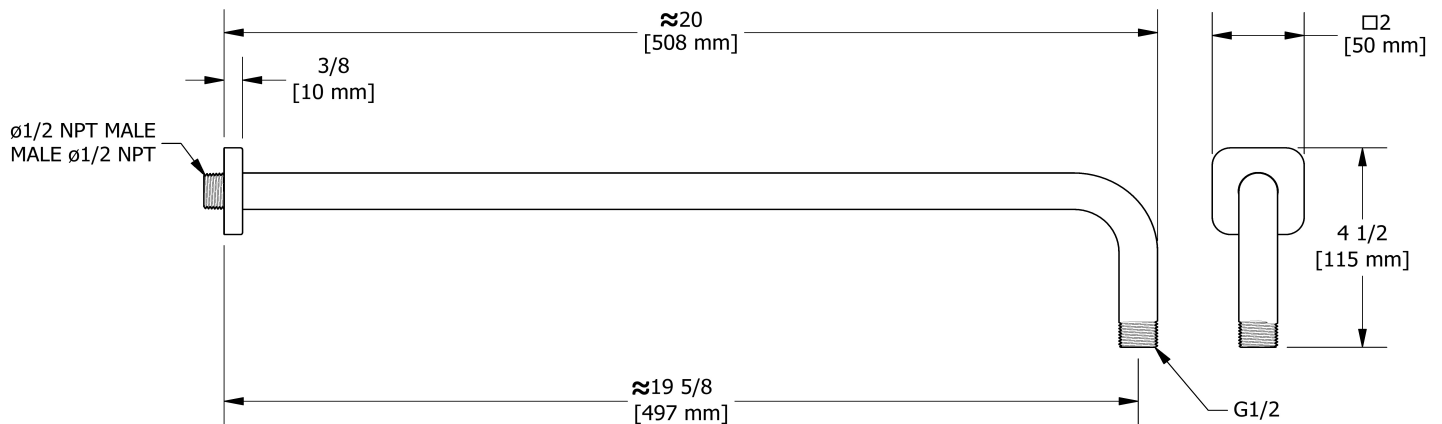
Descriptions

- Shower arm with Salome flange with set screw
- ½" inlet male NPT

Available colors

- C : Chrome
- PN : Polished Nickel (PVD)
- BK : Black

50 cm (20") shower arm
573



Sizes, models and finishes may differ from thoses presented.

Warranty

This Riobel Inc. product you have purchased carries a Limited Lifetime Warranty on the chrome, PVD finish, blacks and all working parts and is guaranteed from the initial purchase date against all manufacturing defects. All other finishes, including plastic components, are guaranteed for one year. All electric and/or electronic parts are covered by a 5-year limited warranty. The warranty offered on our products will be honored only if the installation is performed by a certified master plumber.

Customer Care

Phone (800) 777 - 9762 | Email: customer care@houseofrohl.com | Website: houseofrohl.com/support/contact-us

Consult your local House of Rohl showroom for additional information and specifications. For complete warranty details and a list of showrooms, go to houseofrohl.com



Specifications



Wall-mount tub spout
EQ80



Descriptions

- 1/2" copper slip fit inlet
- Brass

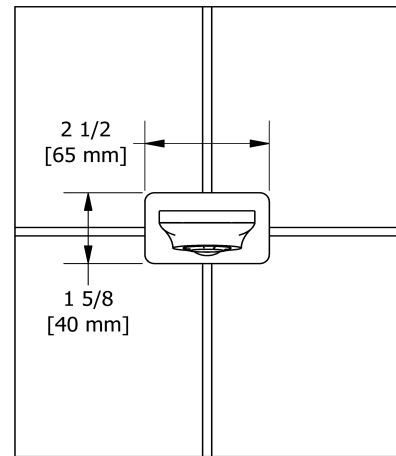
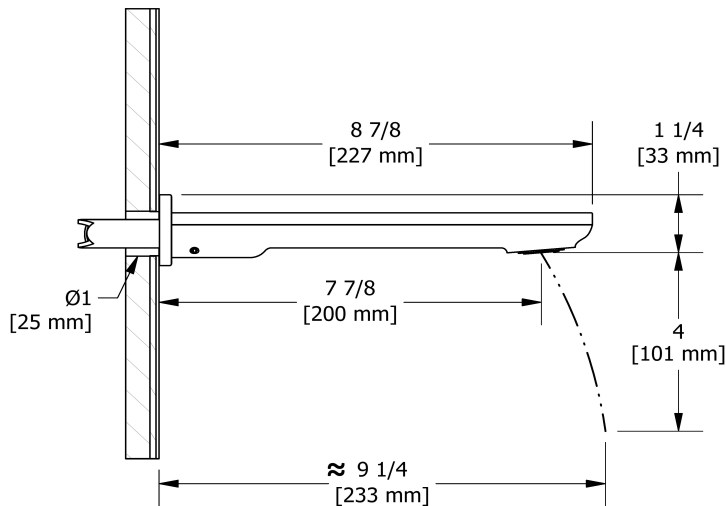
Available colors

- C : Chrome
- BN : Brushed Nickel (PVD)
- BK : Black

Certifications

- CSA B125.1
- ASME A112.18.1

UPC®



Sizes, models and finishes may differ from those presented.

Warranty

This Riobel Inc. product you have purchased carries a Limited Lifetime Warranty on the chrome, PVD finish, blacks and all working parts and is guaranteed from the initial purchase date against all manufacturing defects. All other finishes, including plastic components, are guaranteed for one year. All electric and/or electronic parts are covered by a 5-year limited warranty. The warranty offered on our products will be honored only if the installation is performed by a certified master plumber.

Customer Care

Phone (800) 777 - 9762 | Email: customercare@houseofrohl.com | Website: houseofrohl.com/support/contact-us

Consult your local House of Rohl showroom for additional information and specifications. For complete warranty details and a list of showrooms, go to houseofrohl.com



Specifications

Descriptions

- R45, R45-SPEX or R45-EX rough required to complete
- Thermostatic/pressure balance coaxial cartridge with check valves
- Trim only
- 6 positions (OFF, 1, 1 and 2, 2, 2 and 3, 3) share
- No Share

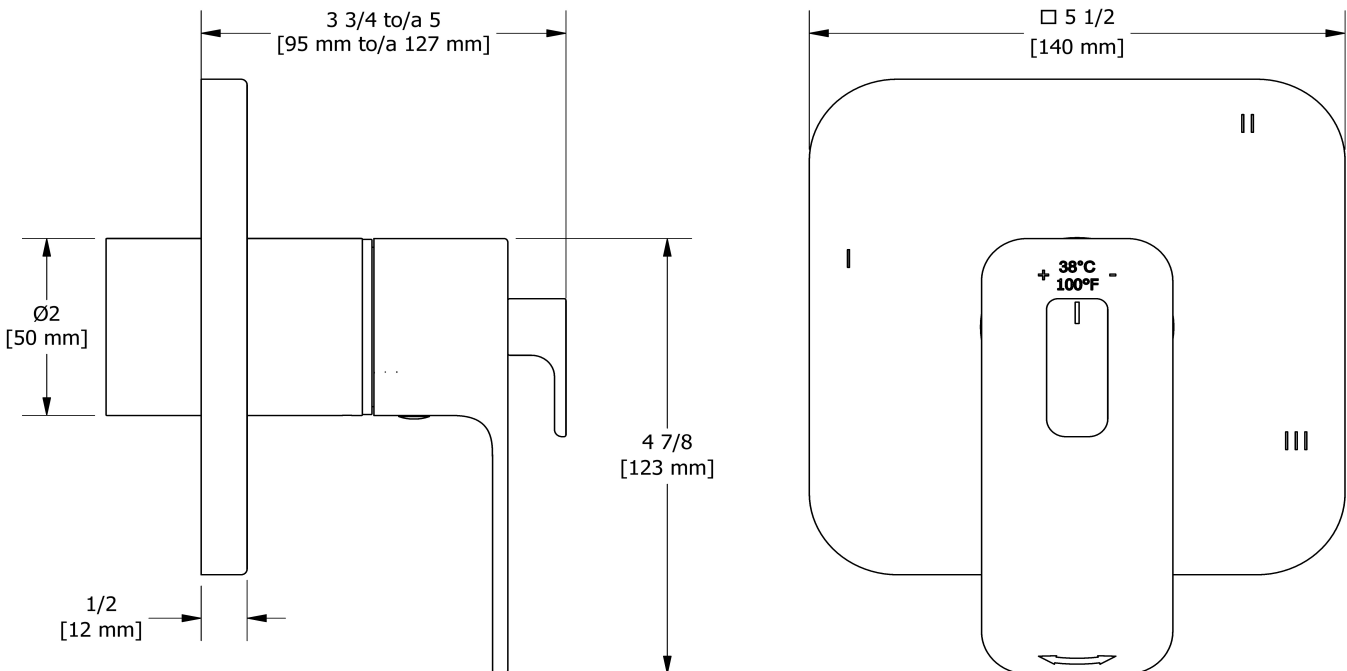
Available colors

- BN : Brushed Nickel (PVD)
- BK : Black

Certifications

- CSA B125.1
- ASME A112.18.1
- ASSE 1016
- CMR248 Approval
- ADA

3-way no share Type T/P coaxial valve trim
TEQ47



Sizes, models and finishes may differ from those presented.

Warranty

This Riobel Inc. product you have purchased carries a Limited Lifetime Warranty on the chrome, PVD finish, blacks and all working parts and is guaranteed from the initial purchase date against all manufacturing defects. All other finishes, including plastic components, are guaranteed for one year. All electric and/or electronic parts are covered by a 5-year limited warranty. The warranty offered on our products will be honored only if the installation is performed by a certified master plumber.

Customer Care

Phone (800) 777 - 9762 | Email: customer-care@houseofrohl.com | Website: houseofrohl.com/support/contact-us

Consult your local House of Rohl showroom for additional information and specifications. For complete warranty details and a list of showrooms, go to houseofrohl.com