



PERRIN & ROWE® EXPOSED THERMOSTATIC MIXER

Perrin & Rowe® Bath Transitional

U.5851X (Cross Handles)

FEATURES

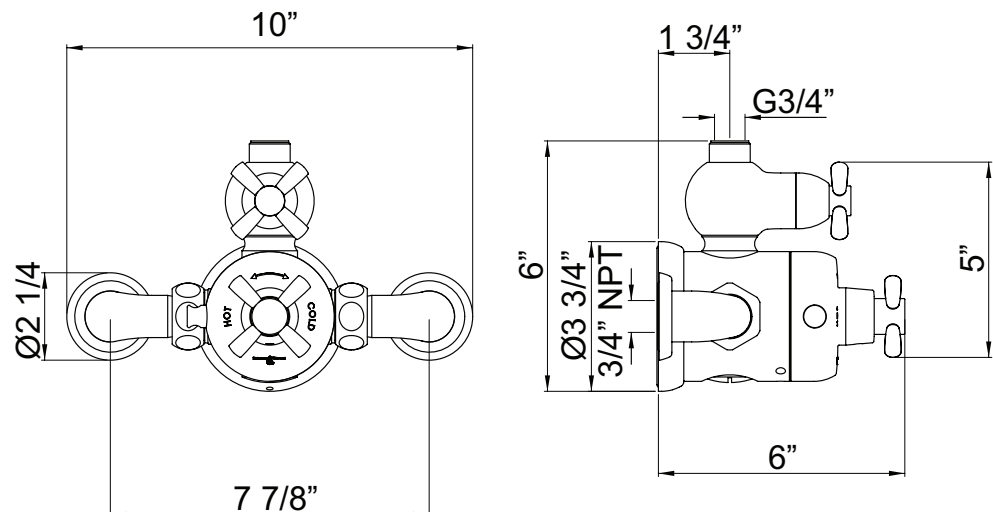
- Exposed thermostatic valve with cross handle design
- Includes volume control
- Inlets 7 7/8" center-to-center
- Inlets 3/4" female NPT
- True 3/4" inlets and waterways for high output
- CNC machined from solid brass bar stock, not cast
- U.5898 secondary outlet adaptor required for bottom outlet tub spout connection
- Additional functions should go off top with U.5897 return elbow
- 14GPM
- If PEX is utilized, oversize the supply line to 1" for full flow capacity

COLORS/FINISHES

- Polished Chrome
- Polished Nickel
- Satin Nickel

WARRANTY

- Limited Lifetime



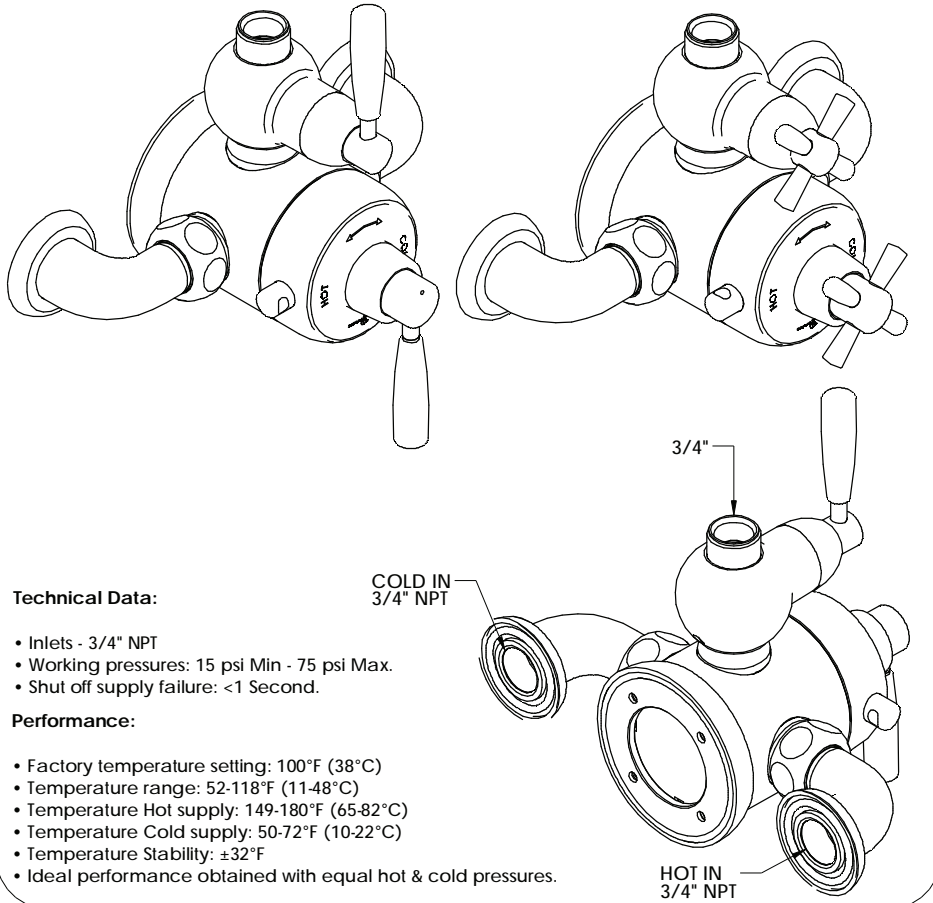
INSTALLATION INSTRUCTIONS



The Transitional Bathroom Collection

Installation & User Guide

• U.5850LS • U.5851X TRANSITIONAL EXPOSED THERMOSTATIC SHOWER MIXER LEVER / X-TOP



INSTALLATION INSTRUCTIONS

The Transitional Bathroom Collection Installation & User Guide

Congratulations on the purchase of your Perrin & Rowe bathroom tapware. Correctly installed and with sensible care, this product will give you many years of trouble free service.

IMPORTANT INFORMATION

Before you proceed... We recommend you engage the services of a registered plumber to install this product.

In addition to the guide below it is essential that the written information overleaf is carefully read and understood.

Preparation Check Box for Installer

Please check that the contents of your Perrin & Rowe Shower set are complete. Please check before you install the product that there is no damage to the contents as **we cannot accept any responsibility after installation.**

1 IMPORTANT

- Fit two 3/4" NPT male fitting into wall at 7. 7/8" centers.

• We recommend that the hot and cold supplies should have conveniently placed isolating valves to accommodate any servicing requirements.

5/8" MAX

7. 7/8" CRS

3/4" NPT

3/4" NPT

FINISHED WALL

Please allow no more than 5/8" Max of male thread to be protruding from the finished wall surface.

BEFORE MOVING TO STAGE 2 - FLUSH THE PLUMBING SYSTEM TO REMOVE ANY RESIDUES.

2

MARK POSITION

BACK PLATE

MARK POSITION

COUPLING NUT

MIXER BODY

WALL UNIONS

BACK PLATE

FIXING HOLES (x4)

GRUB SCREW

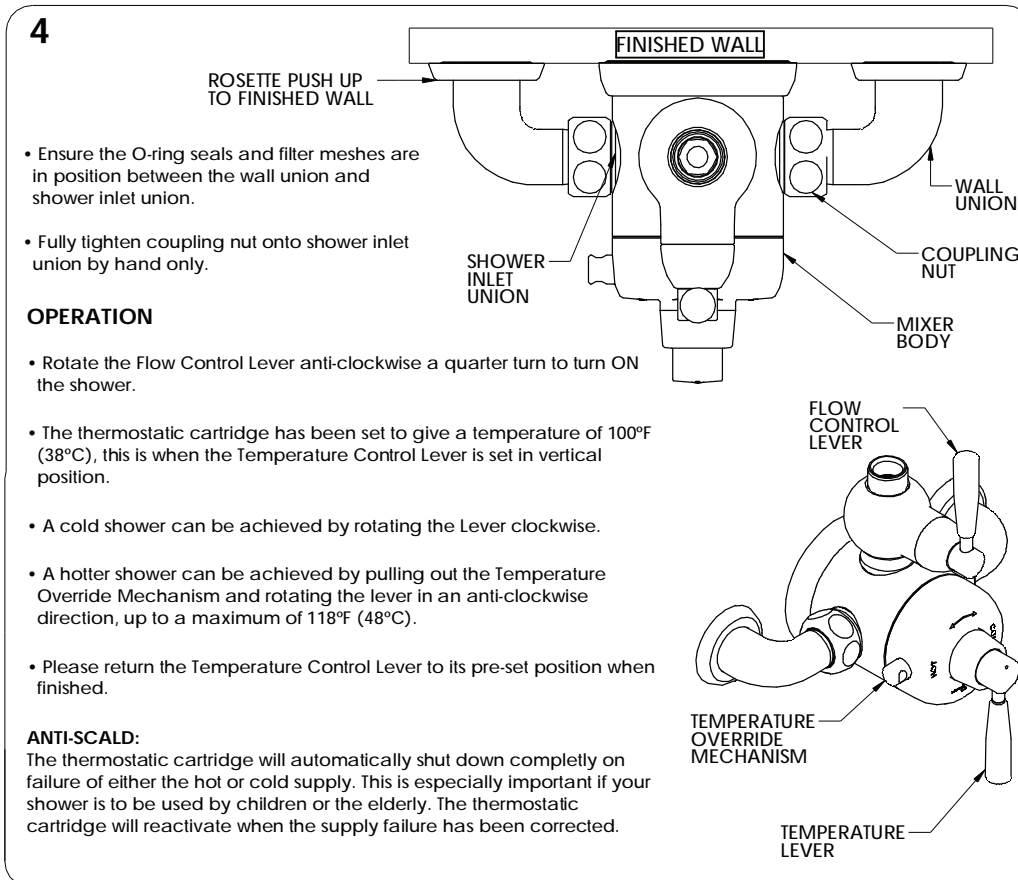
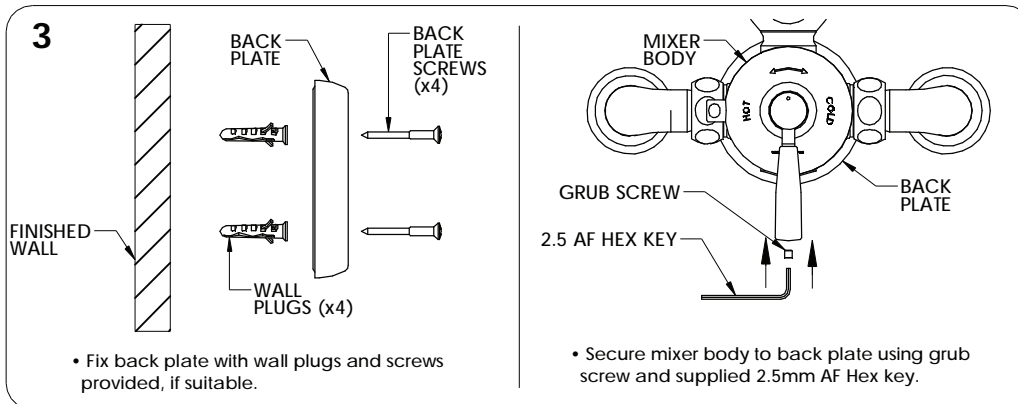
Temporarily fit mixer body between the two wall unions, adjusting if necessary.

Mark the position of the back plate on the wall.

Remove the mixer body from the wall unions and back plate. Using the back plate as a template, mark the positions of the fixing holes.

IMPORTANT - Make sure grub screw is facing down before marking hole positions.

INSTALLATION INSTRUCTIONS



INSTALLATION INSTRUCTIONS

ROHL WARRANTY POLICY

All products supplied by ROHL carry warranties against manufacturing defects.

Perrin & Rowe products carry a Limited Lifetime Warranty.

ROHL LLC will provide free of charge, as its options, replacement part(s) or product (or a comparable alternative product) to replace those which have proven defective in materials or workmanship.

For full ROHL LLC WARRANTY please contact ROHL or visit www.rohlhome.com

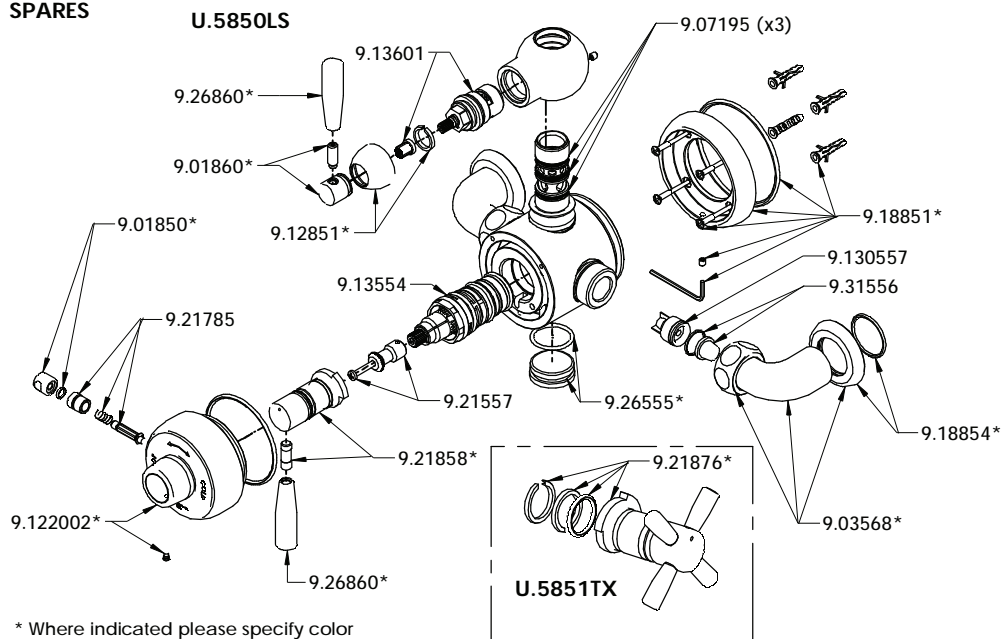
CARE & MAINTENANCE

Wipe down after use to avoid water spotting and mineral build up.

Occasional cleaning with warm soapy water, followed by a polish with a soft cloth is all that is required to keep the plated finish in good condition.

Do not use proprietary abrasive liquids, powders, or pads to clean the shower mixer. Do not use any products with ammonia bleach or limescale remover. You will damage the plated finish and void your guarantee.

SPARES



SPARE PARTS & SERVICE

ROHL
Authentic Luxury for Kitchen and Bath™

3 Parker
Irvine
CA 92618
(714) 557-1933

www.rohlhome.com

Perrin & Rowe products are manufactured in the UK, using the latest technology and built to the highest quality standards.

We would like to thank you for purchasing a Perrin & Rowe product and take this opportunity to invite you to look at other luxury products by us. Please contact us to receive our latest catalogue.