



RECTANGULAR UNDERMOUNT LAVATORY SINK

Vitreous China

RFE2284

FEATURES

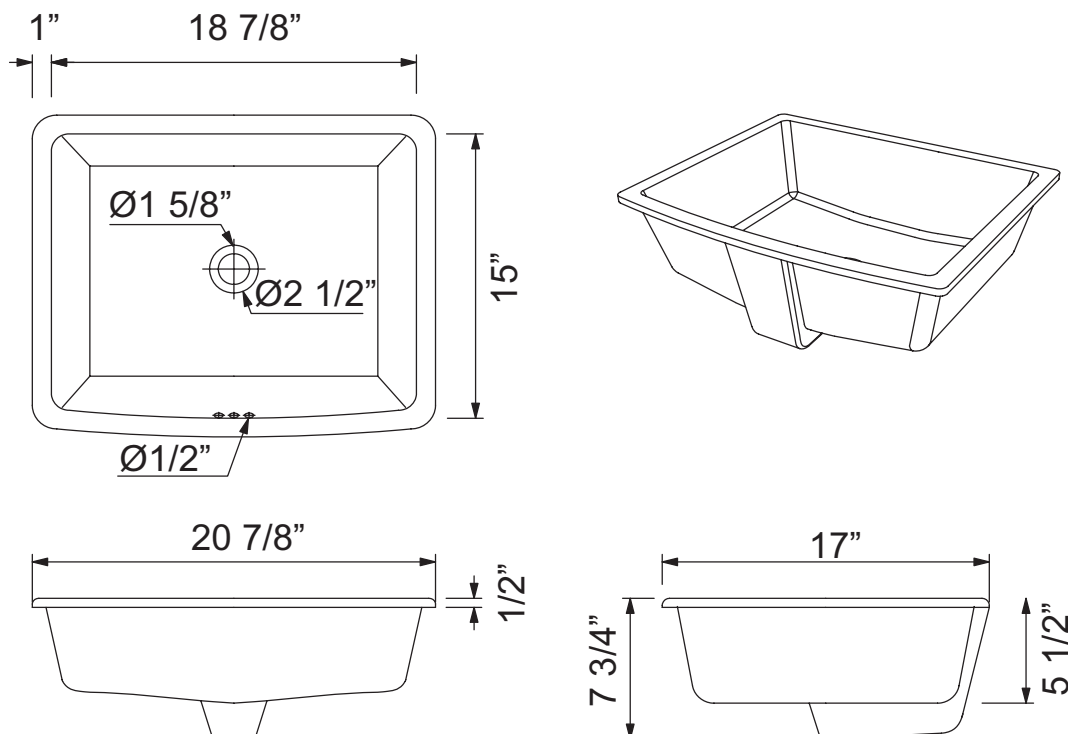
- 18 7/8" x 15" Internal dimensions
- 20 7/8" x 17" External dimensions
- Undermount sink with front overflow
- Vitreous china
- Mounting hardware included
- Includes ROHL logo

COLORS/FINISHES

- White
- Biscuit

WARRANTY

- 1 year or manufacturer defects



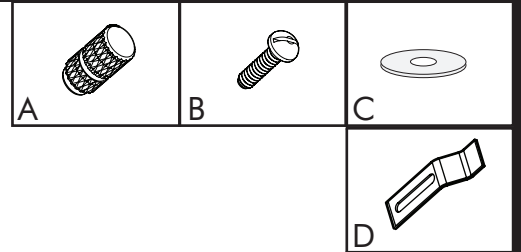
Undermount Sink Installation Instructions

- RFE2380WH and RFE2380BS
- RFE2081WH and RFE2081BS
- RFE2282WH and RFE2282BS
- RFE2284WH and RFE2284BS

INSTALLATION PROCEDURE

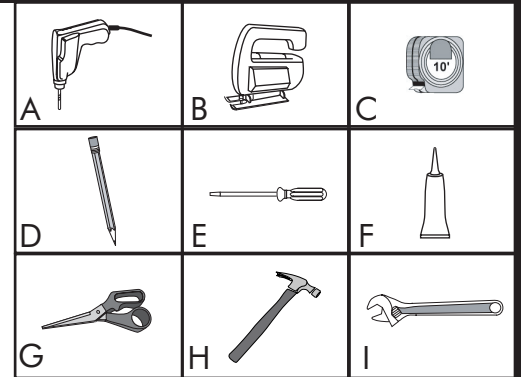
PARTS:

A Threaded Knurl	x4
B Machine Screws	x4
C Metal Washers	x4
D Clamps	x4



TOOLS AND MATERIALS REQUIRED:

A Drill
B Jig Saw
C Measuring Tape
D Pencil
E Screw Driver
F Sealant
G Scissors
H Hammer
I Adjustable Wrench



BEFORE INSTALLING

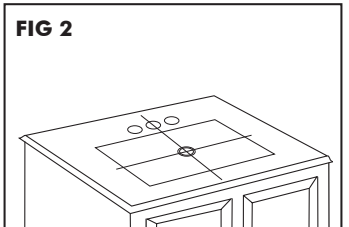
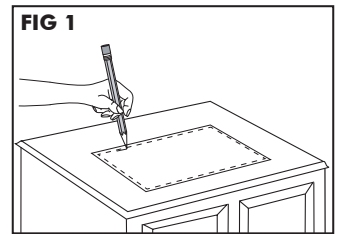
- Inspect the waste and supply tubing; replace if necessary.
- Install so future removal from underneath the countertop is possible to avoid damage to the countertop.
- Prior to installation, unpack the lavatory and inspect it for damage. Return it to its carton until you are ready to install it.
- Observe all local plumbing and building codes.

Undermount Sink Installation Instructions

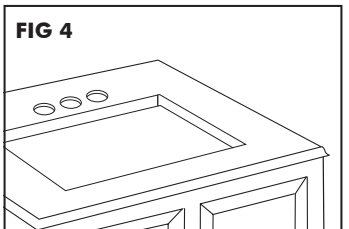
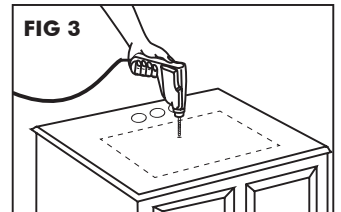
- RFE2380WH and RFE2380BS
- RFE2081WH and RFE2081BS
- RFE2282WH and RFE2282BS
- RFE2284WH and RFE2284BS

INSTALLATION PROCEDURE

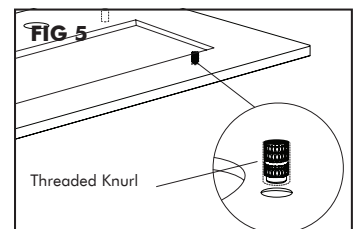
- 1**
- Check the desired lavatory location for clearance between the backsplash, faucet, plumbing and vanity.
 - Cut out the template.
 - Carefully position and trace the template on the counter top as directed on the template. (Figure 1)
 - Mark the faucet hole center line on the counter top in relation to the center of the drain hole. (Figure 2)



- 2**
- For wood counter tops:**
- Drill a 1/2" pilot hole on the inside of the cut line. (Figure 3)
 - Cut out the counter top opening and faucet holes with a jig saw. (Figure 4)
 - NOTE: This should be done by a professional.**
 - Mark and drill 1/16" (2mm) wood screw holes 3/4" (20mm) deep underneath the counter at the locations shown on the template.
 - NOTE: Wood screws are not included.**
 - Waterproof any exposed areas of wood.



- 3**
- For marble and granite counter tops:**
- Cut out the counter top opening and faucet holes following the template.
 - NOTE: This should be done by a professional.**
 - Position the counter top upside down on a soft surface to protect the top of the counter.
 - Using the template as a guide, mark the 4 threaded knurl hole locations for the mounting hardware on the counter top.
 - Using a 5/16" (8mm) diamond bit, drill a 1/2" deep hole in each location.
 - Clean the holes and apply quick set poxy.
 - Place one threaded knurl into each hole and allow to cure as per manufacturers specifications. (Figure 5)



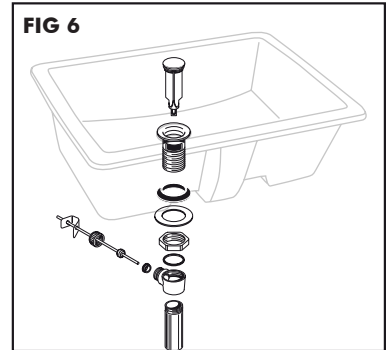
Undermount Sink Installation Instructions

- RFE2380WH and RFE2380BS
- RFE2081WH and RFE2081BS
- RFE2282WH and RFE2282BS
- RFE2284WH and RFE2284BS

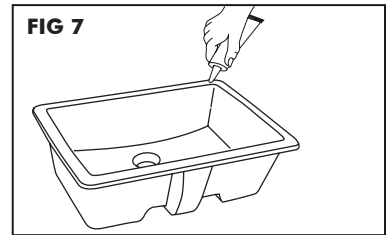
INSTALLATION PROCEDURE

4 For all installations:

Mount the drain assembly (not provided) on the lavatory following manufacturer's instructions. (Figure 6)



5 Apply a continuous bead of quality sealant to the lavatory rim where it will contact the counter top. (Figure 7)

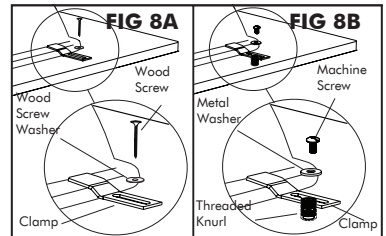


6 Position the lavatory squarely under the cutout and secure the lavatory to the counter top using clamps and attaching hardware. For wood counter tops use wood screws, washers and clamps (Figure 8A)

NOTE: Wood screws and wood screw washers are not included.

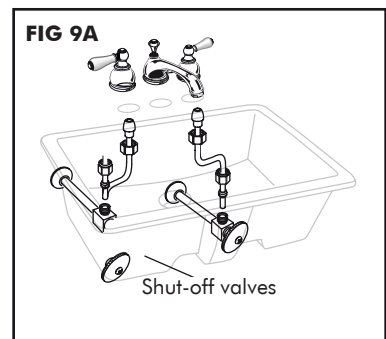
For granite or marble counter tops use machine screws, metal washers, and clamps (Figure 8B) to attach the lavatory to the counter top. Do not over tighten.

NOTE: The threaded knurl provided should be used for counter tops with a minimum 1" (25mm) thickness. For thinner counter tops, use appropriate attaching hardware.

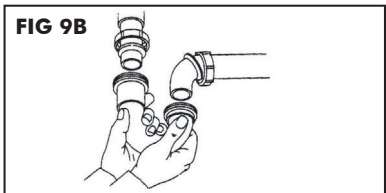


7 Once sealant has dried fully, re-install the counter top according to manufacturer's instructions.

8 Install the faucet (not provided) to the counter top following manufacturer's instructions.



9 Connect the water supply line to the faucet and p-trap to drain assembly (not included) (Fig 9A & 9B). Turn on the water supply and fix it if leaking water is found.



WARRANTY

**ROHL products all carry warranties against manufacturing defects.
The factories that produce these products set the terms of these warranties.**

**Bath Fixtures
1 year on manufacturer defects**

ROHL's Promise

ROHL LLC will provide free of charge, at its options, replacement part(s) or product (or a comparable alternative product) to replace those which have proven defective in materials or workmanship.

ROHL LLC will not assume liability for labor expended, freight cost or damages accruing from the use of the material purchased from us. If material is defective, the limit of damage is the price of the defective material. Proof of purchase (original sales receipt) from the original consumer purchaser must be made available to ROHL LLC for all warranty claims. The warranty is not transferable and is extended solely to the original purchaser of the product.

Warranty Exclusion

This warranty is for normal domestic use only and excludes defect or injury caused by or resulting from misuse, abuse, neglect, accidental damage, or improper installation.

General Disclaimer

All warranties other than the Express Warranty herein contained, including but not limited to any implied warranty of merchantability or fitness for a particular purpose, are limited in duration to the applicable warranty period set forth above. Some states do not allow limitations on how long an implied warranty lasts and some states do not allow the exclusion or limitation of incidental or consequential damages, so the above limitations or exclusions may not apply to you. This warranty gives you specific legal rights and you may also have other rights that vary from state to state.

Commercial Warranty

ROHL warrants its products installed in a commercial application to be free from manufacturing defects for a period of one (1) year from the date of acquisition by original owner.

Outside Use

ROHL products are suitable for outside use. However, due to the harsh environment of sun, wind, rain and snow, we do not offer a warranty for these types of installations.