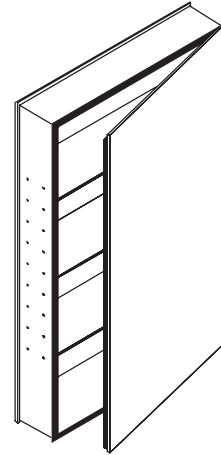


### Features

- Recess or surface mount
- Mirrored doors and interior
- 3-way adjustable concealed hinge system
- SAFESEAL® gasket frame
- Rust-free aluminum construction
- Can be installed as a left- or right-hand door swing
- Three adjustable 1/4" (6 mm) glass shelves
- 19-1/4" (48.9 cm) W x 30" (76.2 cm) H x 4-5/8" (11.7 cm) D

### PLM2030W

ALSO PLM2030B, PLM2030WB,  
PLM2030BB



### Codes/Standards Applicable

Specified model meets or exceeds the following:

- None applicable

### Specified Model

Model	Description	
PLM2030W	Plain edge, white interior	<input type="checkbox"/>
PLM2030B	Plain edge, black interior	<input type="checkbox"/>
PLM2030WB	Beveled edge, white interior	<input type="checkbox"/>
PLM2030BB	Beveled edge, black interior	<input type="checkbox"/>
<b>NOTE:</b> Additional hardware is required for installing cabinets side-by-side.		

#### Required Accessories - For Surface Mount Installations Only

M30SKD4A	Aluminum side kit	<input type="checkbox"/>
PLSK30D4	Mirrored side kit	<input type="checkbox"/>
Refer to the Price Guide for additional side kit colors and finishes.		

#### Optional Accessories

SLB20D4	Safety-lock box	<input type="checkbox"/>
SOMM	Black swing-out magnifying mirror	<input type="checkbox"/>
PLGKIT	PL ganging kit - hardware required for installing 2 or 3 cabinets side-by-side	<input type="checkbox"/>
Light options and additional accessories are available. Refer to the Price Guide for more information.		

# PL SERIES FLAT DOOR CABINET

## Technical Information

Roughing-in opening	18-1/2" (47 cm) W x 29-1/4" (74.3 cm) H x 4" (10.2 cm) D
Door opening angle	170°

## Installation Notes

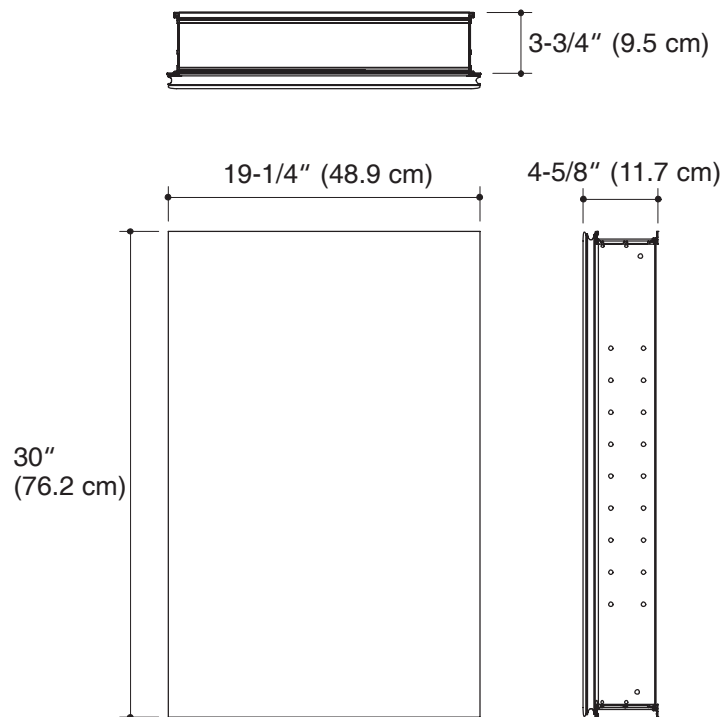
Install this product according to the installation guide.

When determining the height of the mirrored cabinet, ensure the mirrored door will clear all obstacles, such as a faucet. A minimum distance of 1" (2.5 cm) is required.

Secure the screws (provided) to a stud to avoid possible property and product damage. If this is not possible, anchors (provided) must be inserted before installing the screws.

Modular components can be joined horizontally and vertically. When ganging cabinets: rough opening width/height = total width/height of all cabinets and lights minus 3/4" (1.9 cm).

Recessed cabinets project 7/8" (2.2 cm) from wall.



**Product Diagram**