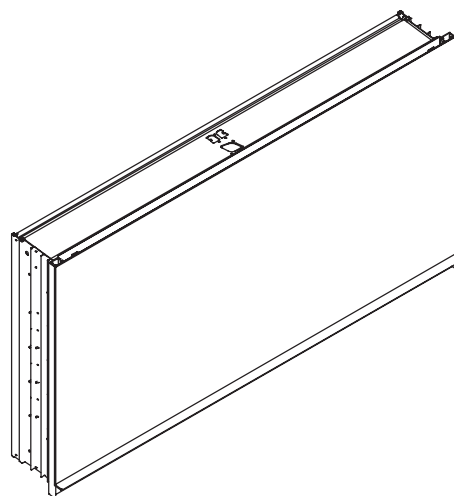


UC4827FPE

Features

- Unique vertically opening, no-swing door allows for zero clearance installations
- Position hold door-opening mechanism lets you open the door as low or as high as you need
- 60% recycled aluminum construction
- Rust-free anodized aluminum construction, no formaldehyde resins
- 1/4" (6 mm) thick adjustable clear glass shelves
- Aluminum handle for effortless two-finger lifting
- Interior mirror
- Electric column with six 1500 watt, 120VAC, 15A power outlets
- Discreet wiring enclosure for clutter-free cable management
- Auto-on high power, low wattage LED interior lighting
- 4747 cubic inches (77,789 cc) storage capacity with split compartment for maximum flexibility
- Recessed (frame and handle project 1-7/8" [4.8 cm]), semi-recessed 4" (10.2 cm) in wall (cabinet, frame and handle project 3-7/8" [9.8 cm]), or surface mount (cabinet, frame and handle project 7-5/8" [19.4 cm])



Codes/Standards Applicable

Specified model meets or exceeds the following:

- ETL listed
- Meets ADA requirements for door opening force for sliding doors

Specified Model

Model	Description	
UC4827FPE	Uplift cabinet with electric	<input type="checkbox"/>
Required Accessories - For Surface Mount and Semi-Recessed Installations Only		
USK27D6P	Uplift mirrored side kit - surface mount	<input type="checkbox"/>
USK27D6SR	Uplift mirrored side kit - semi-recess mount	<input type="checkbox"/>
Optional Accessories		
UORGshelf22	Uplift 22" (55.9 cm) organizer shelf	<input type="checkbox"/>
TVMOUNT22	TV mount (accommodates up to 19" [48.3 cm] diagonal LCD television, width not to exceed 21-1/2" [54.6 cm])	<input type="checkbox"/>
POMM	Pull-out 3X magnifying mirror	<input type="checkbox"/>
UBK48D6A	Aluminum top and bottom kit for surface mount installations (required when top or bottom is visible)	<input type="checkbox"/>
UBK48D6ASR	Aluminum top and bottom kit for semi-recessed installations (required when top or bottom is visible)	<input type="checkbox"/>
UFLPAL	Uplift pendant light with night light	<input type="checkbox"/>
UFLWAL	Uplift wall sconce with night light	<input type="checkbox"/>

UPLIFT™ CABINET

Technical Information

Roughing-in opening (fully recessed)	46-3/4" (118.7 cm) width x 26-1/4" (66.7 cm) height x 6" (15.2 cm) depth
Roughing-in opening (semi-recessed)	46-3/4" (118.7 cm) width x 26-1/4" (66.7 cm) height x 4" (10.2 cm) depth

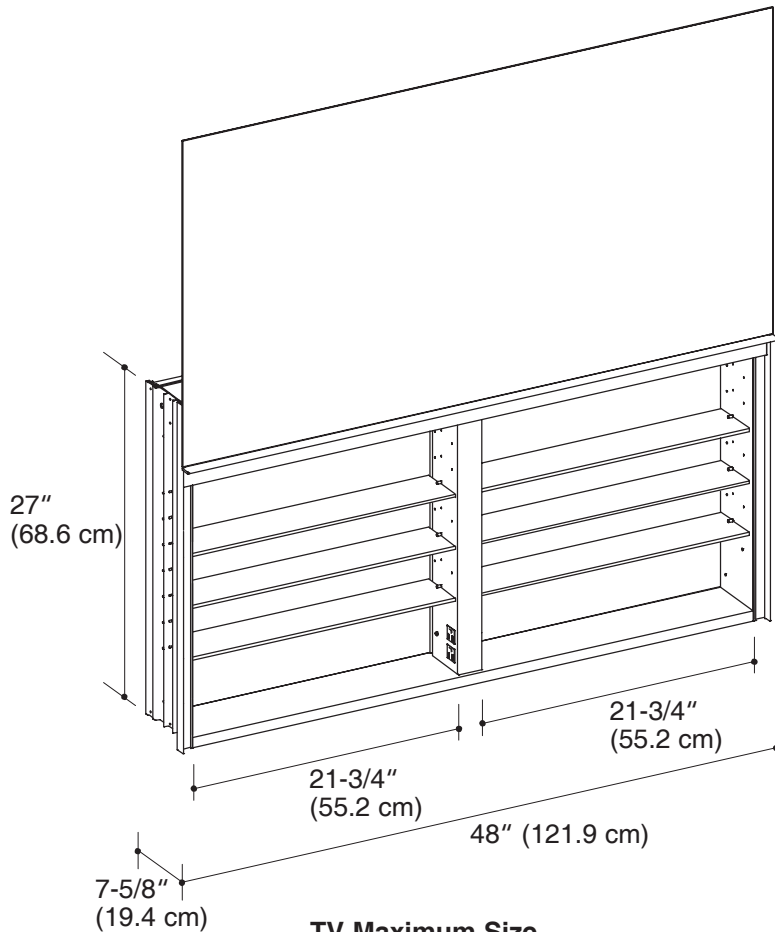
Installation Notes

Install this product according to the installation guide.

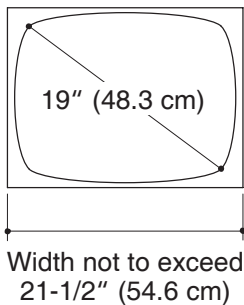
Secure the screws (provided) to a stud to avoid possible property and product damage. If this is not possible, anchors (provided) must be inserted before installing the screws.

This cabinet can be surface mounted, semi-recessed or fully recessed. To semi-recess, cabinets require 4" (10.2 cm) deep opening (2x4 wall). Fully recessed cabinets require 6" (15.2 cm) deep opening (2x6 wall).

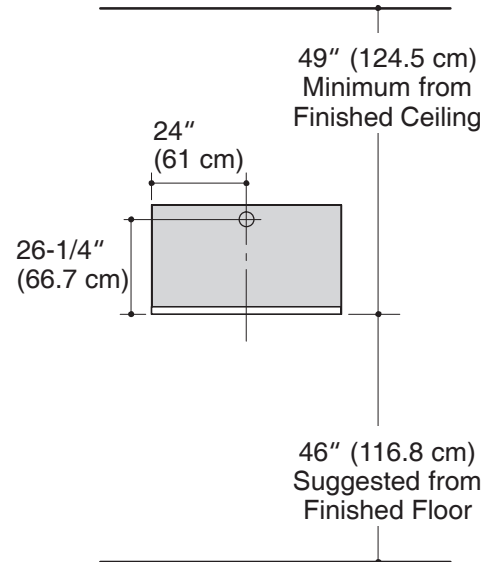
Electrical rough-in cable should extend 24" (61 cm) out of wall. Other cables should extend 48" (121.9 cm) from wall.



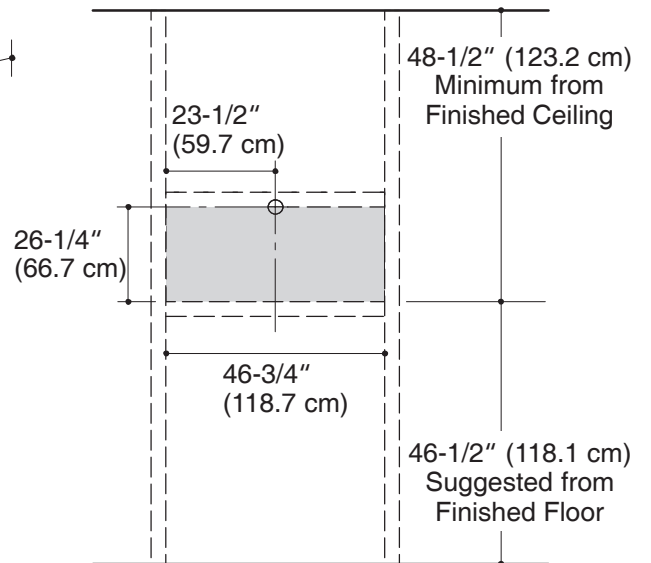
TV Maximum Size



Surface Mount



Recess Mount



Product Diagram