

## PLM CABINET AND MTL LIGHT INSTRUCTIONS

### General Notes

- Unpack the cabinet. Check the box thoroughly for all hardware and loose parts as follows:
  - Cabinet
  - Hardware Bag
  - Shelving
  - Mounting Bar
 (Do not throw any parts away until install is complete.)
- Remove the doors from the cabinet. (See figure E, Hinge Screw 3) and store the doors in the cabinet box. Be sure edges of doors are protected.
- A square and plumb installation insures proper door operation. A square and level are necessary for proper installation.
- Improper installation voids the warranty. Installed cabinets cannot be returned.
- If you experience any problems with your cabinet contact your dealer or Robern directly.  
**Robern • 701 N Wilson Ave • Bristol, PA 19007**  
**800 877 2376 • FAX 215 826 9633**

### Limited Warranty One Year Term

ROBERN warrants to the original purchaser that, it will, at its election repair, replace, or make appropriate adjustment to products made by this company shown to have significant defects in material or workmanship which are reported to ROBERN in writing within one (1) year from the date of delivery. ROBERN is not responsible for installation costs.

The warranty is void in the event the product is damaged in transit, or if damage or failure is caused by abuse, misuse, abnormal usage, faulty installation, damage in an accident, improper maintenance, or any repairs other than those authorized by ROBERN. At the expiration of the one year warranty period, ROBERN shall be under no further obligation under any warranty, expressed or implied, including the implied warranty of merchantability.

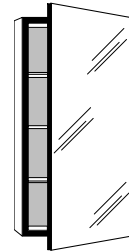
ROBERN shall not be liable for any consequential damages arising out of or in connection with the use or performance of its products. Some states do not allow limitations on how long an implied warranty lasts or do not allow the exclusion or limitation of incidental or consequential damages, so the above limitation or exclusion may not apply to you.

Any liability against ROBERN under any implied warranty, including the warranty of merchantability, is expressly limited to the terms of this warranty. Permission to return any merchandise under this warranty must be authorized by ROBERN and returned prepaid by the purchaser. Claims under this warranty should be sent directly to your dealer.

©2003 PL Bath  
All rights reserved.

### Part List

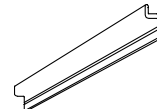
- PLM Cabinet  
(See suffix codes on following page for model options.)



- Glass Shelves  
– 3 Shelves are provided with each cabinet



- Mounting Bar  
– Bar used for surface mounted cabinets.

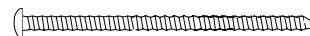


#### 4. Hardware Bag • Contains the Following

- A. 5 Plastic Anchors ——— 

- B. 36 Shelf Hole Plugs ——— 

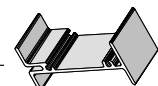
- C. 6 SMS/WOOD Screws #10 x 2"



- D. 10 Connector Block Screws #10 x 1/2"



- E. 2 MP65 Connector Blocks ———



- F. 10 Black or White Screw Head Caps ——— 


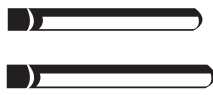
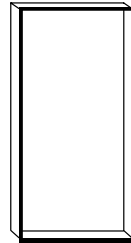

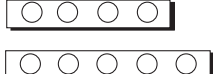
- G. 3 Small Top Mount "Z" Clip ———



- H. 12 Clear Snap-In Shelf Clips ———



# PLM Model Number Destinations

Product Model	Product Type	Product Description	PLM1630, PLM2030, or PLM2430 Cabinet	PLSK30 Side Kit	MTL16F, 20F, 24F, 16T & 24T Light Fixtures
PLM See page 8	Cabinet	Rotate for Left/Right hand opening	4 5/8" Deep Overall width & height below cabinets	Purchased separately for surface mounted	Purchased separately for built in light.
PLSK30	Side Kit	For Surface Mounting	When recessed into a wall. A. 3 3/4" in wall (4" deep) B. 7/8 projects out from wall.	Extra mirrors for MTL16F Light Fixture	Can be recessed or surface mounted. Attaches to cabinet.
MTL16F / 20F/ 24F	Light Fixture	Fluorescent 18 - 27 Width			
MTL16, 20, 24,, 30, 36 T	Light Fixture	Incandescent 3, 5, 6 or 7 Bulb			
*MTL33T	Light Fixture	Vertical 6 Bulb Fixture (2)			
**MTL1.5F	Light Fixture	Vertical Fluorescent Fixture			

## Dimensions of Cabinets

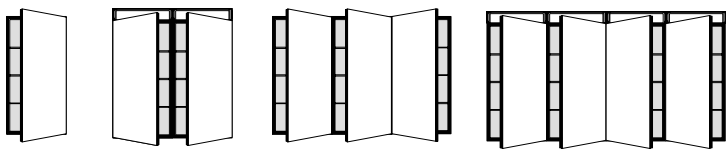
1. PLM is a modular system allowing you to install cabinets in multiples. Each cabinet is supplied with interconnecting hardware used to gange the surface.

Two types of MTL light fixtures, an incandescent or fluorescent source, are an option which can be added to the top of the cabinets, lights add 3" to the height of the cabinet.

Overall size is determined by the overall dimensions of the assembled units. Rough openings for recessed installations are shown at the right.

Different width cabinets (and lights) can be combined as shown on the right.

2. Examples are shown below:

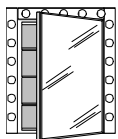


Single Cabinet

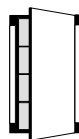
Two Door Cabinet & Light Combination

Three Door Cabinet Combination

Four Door Cabinet & Light Combination



\* MTL33T:  
This fixture adds 6" to the width of an installation per light kit. Refer to the instructions with the light for details.



\* MTLFLBLN:  
This fixture adds 3" to the width of an installation per light kit. Refer to the instructions with the light for details.

## One Door Cabinets Without Lights

Model No.	Number of Units	Overall W x H	Wall Opening W x H
PLM1630	1	15 1/4" X 30"	14 1/2" X 29 1/4"
	2	30 1/2" X 30"	29 3/4" X 29 1/4"
	3	45 3/4" X 30"	45" X 29 1/4"
	4	61" X 30"	60 1/4" X 29 1/4"
PLM2030	1	19 1/4" X 30"	18 1/2" X 29 1/4"
	2	38 1/2" X 30"	37 3/4" X 29 1/4"
	3	57 3/4" X 30"	57" X 29 1/4"
	4	77" X 30"	76 1/4" X 29 1/4"
PLM2430	1	23 1/4" X 30"	22 1/2" X 29 1/4"
	2	46 1/2" X 30"	45 3/4" X 29 1/4"
	3	69 3/4" X 30"	69" X 29 1/4"
	4	93" X 30"	92 1/4" X 29 1/4"
16 & 24 Combined	2-16 / 1-24	53 3/4" X 30"	53" X 29 1/4"
	2-24 / 1-16	61 3/4" X 30"	61" X 29 1/4"
	2-24 / 2-16	77" X 30"	76 1/4" X 29 1/4"

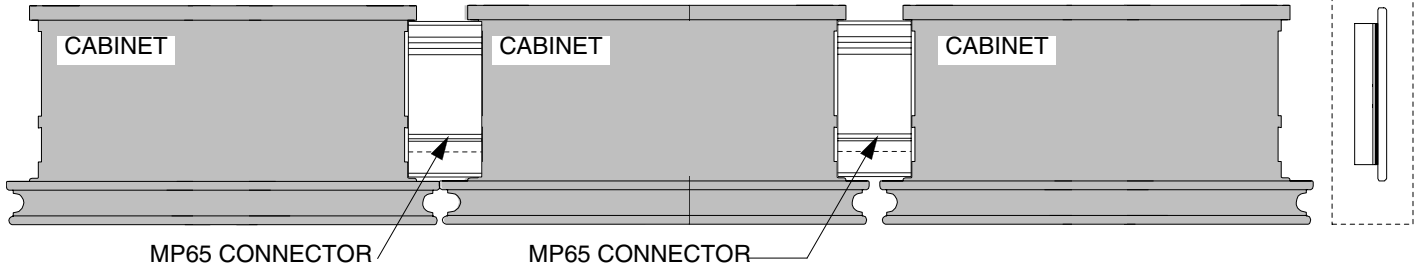
## One Door Cabinets With Lights

Model No.	Number of Units	Overall W x H	Wall Opening W x H
PLM1630 with MTL16F or MTL16T	1	15 1/4" X 30"	14 1/2" X 32 1/4"
	2	30 1/2" X 30"	32 3/4" X 32 1/4"
	3	45 3/4" X 30"	45" X 32 1/4"
	4	61" X 30"	60 1/4" X 32 1/4"
PLM2030 with MTL16F or MTL16T	1	19 1/4" X 30"	18 1/2" X 32 1/4"
	2	38 1/2" X 30"	37 3/4" X 32 1/4"
	3	57 3/4" X 30"	57" X 32 1/4"
	4	77" X 30"	76 1/4" X 32 1/4"
PLM2430 with MTL16F or MTL16T	1	23 1/4" X 30"	22 1/2" X 32 1/4"
	2	46 1/2" X 30"	45 3/4" X 32 1/4"
	3	69 3/4" X 30"	69" X 32 1/4"
	4	93" X 30"	92 1/4" X 32 1/4"
16 & 24 combined with MTL	2-16 / 1-24	53 3/4" X 30"	53" X 32 1/4"
	2-24 / 1-16	61 3/4" X 30"	61" X 32 1/4"
	2-24 / 2-16	77" X 30"	76 1/4" X 32 1/4"

## Assembly of PLM Cabinets

1. Each cabinet contains two MP65 connectors to allow combinations of cabinets, both surface mounted using the PLSK side kit as well as recessed into the wall. A plan view noting these connector combinations are shown in the example below in figure A.

USE PLSK30  
SIDE KIT FOR  
SURFACE MOUNT.  
REFER TP PAGE 5,  
FIGURE I.

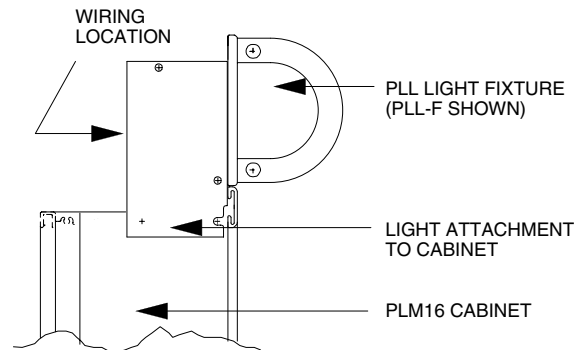


THREE CABINET COMBINATION FOR RECESS INSTALLATION

## Assembly of PLM Cabinets and MTL- T/F Top Lights

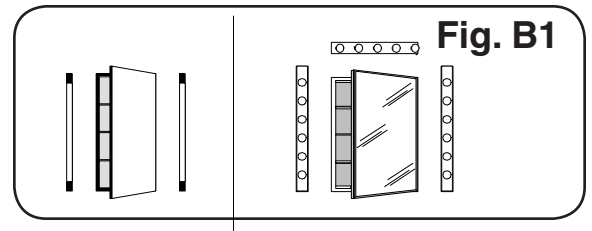
2. If you are using MTL- T/F top light fixtures refer now to the instructions provided with the fixture. The light fixture is attached to each cabinet before the cabinets are ganged together and/or installed in or on the wall.

Refer to the side view shown in figure B. The side plates on the light fixture are attached to the cabinet using screws holding the cabinet frame together. Refer to the instructions supplied with the light for complete detail.



## Assembly of PLM Cabinets and MTL- T/F Side Lights

3. If you are using MTL- T/F side light fixtures refer now to the instructions provided with the fixture. These light fixtures are supplied with special connectors to allow installation between or at the ends of the cabinet array as seen in figure B.

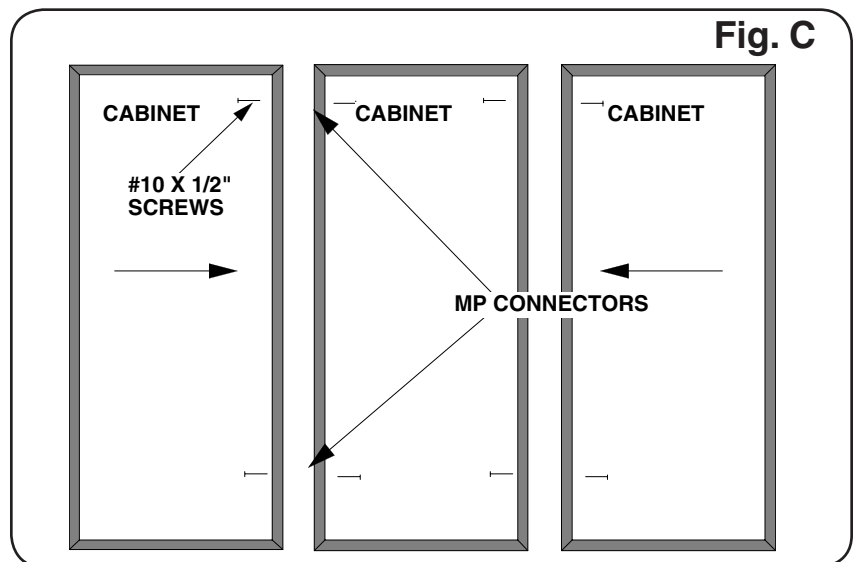


4. With the doors off, combine the boxes with the MP65 connectors to assemble per your layout. Use the #10 x 1/2" thread cut screws.

Assemble on a convenient flat surface, not on or in wall.

Do not attach doors or side kits until boxes are secured in wall.

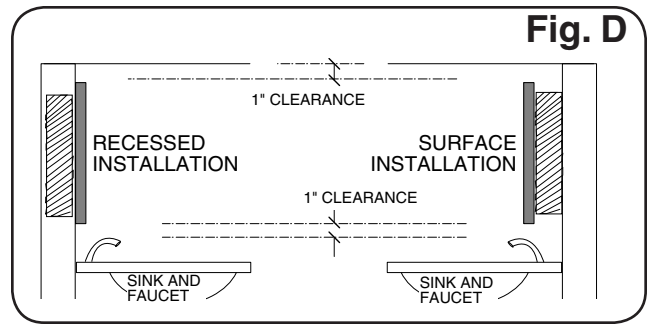
Note location of holes in the cabinets which are used to secure connectors and side kits as seen in figure E on page 3.



## 2. Selecting Location • Surface or Recess

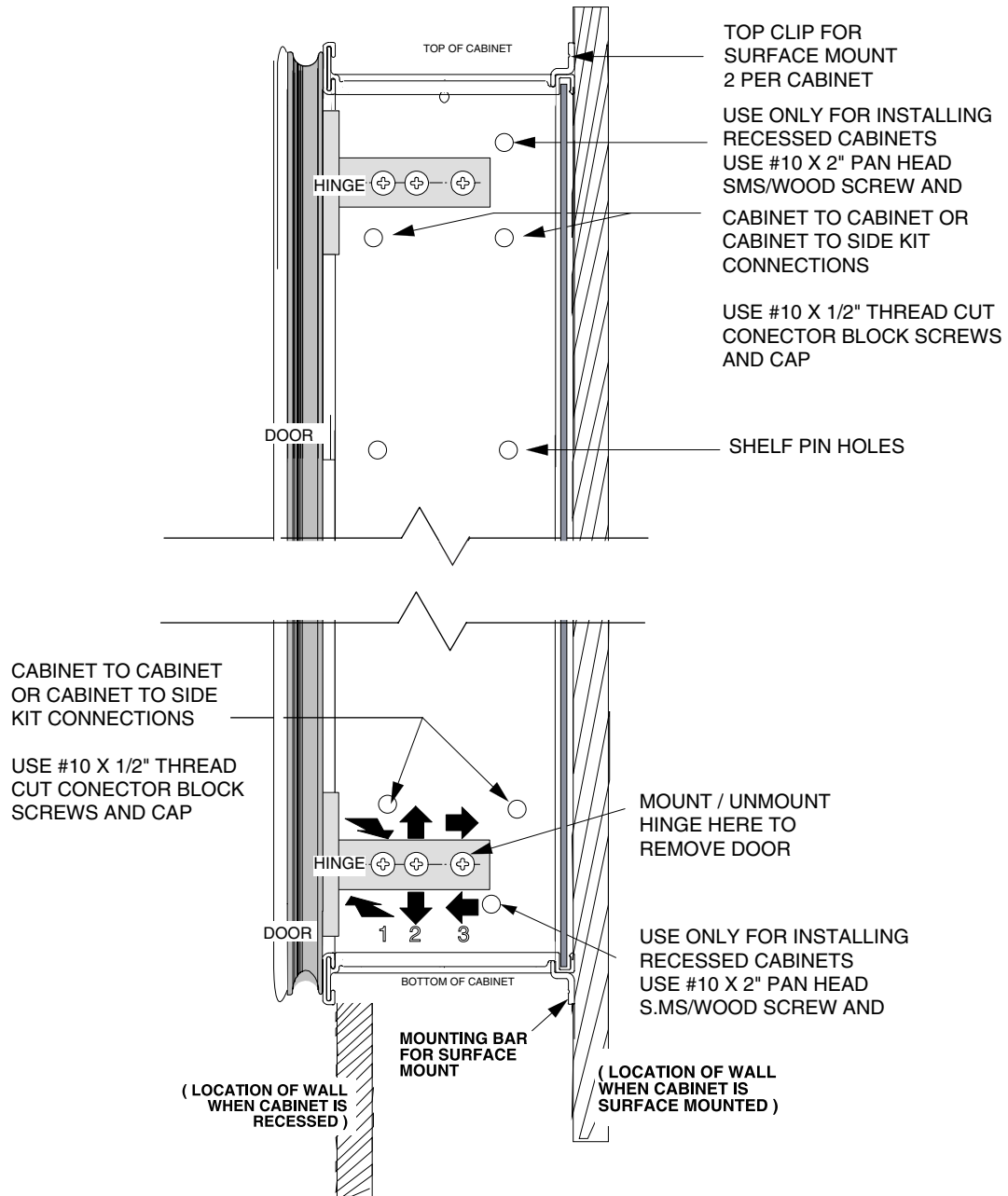
Carefully select the cabinet location, keeping in mind the following:

- A. Clearance from the faucet must be determined.
- B. Side clearance for door swing should be checked.  
A two door set-up needs to open wider than the overall width for effective side view of your head.



## Vertical Cross Section of PLM1630, PLM2030, and PLM2430 Cabinet

Fig. E

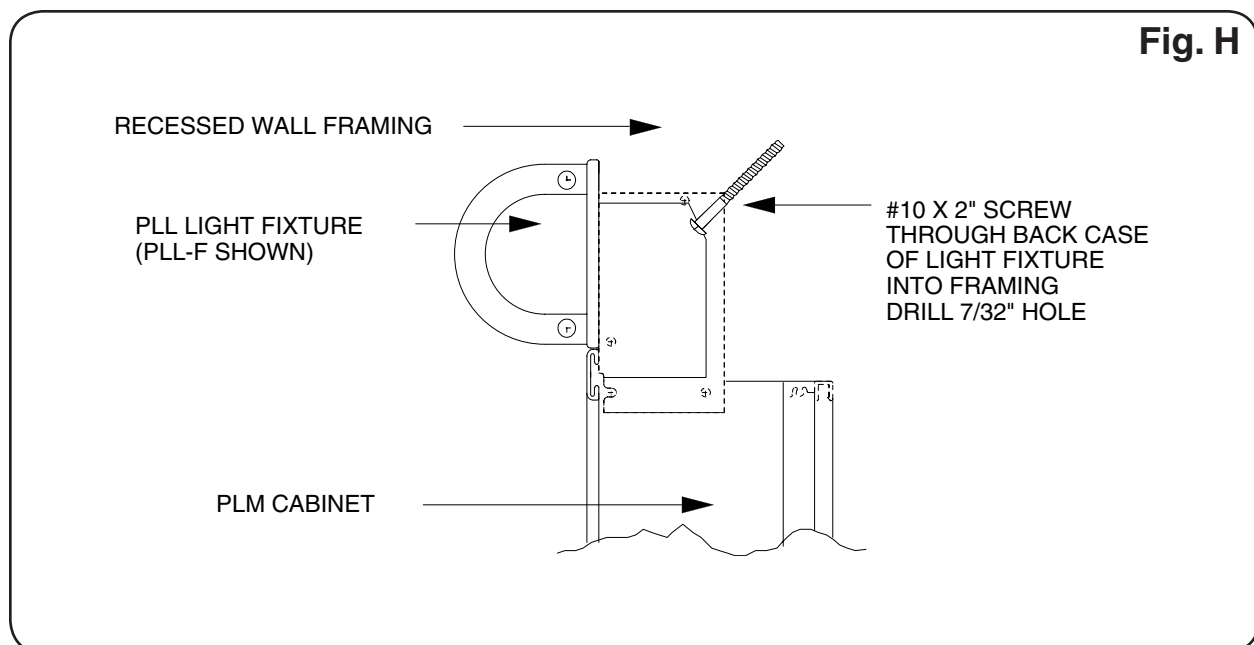
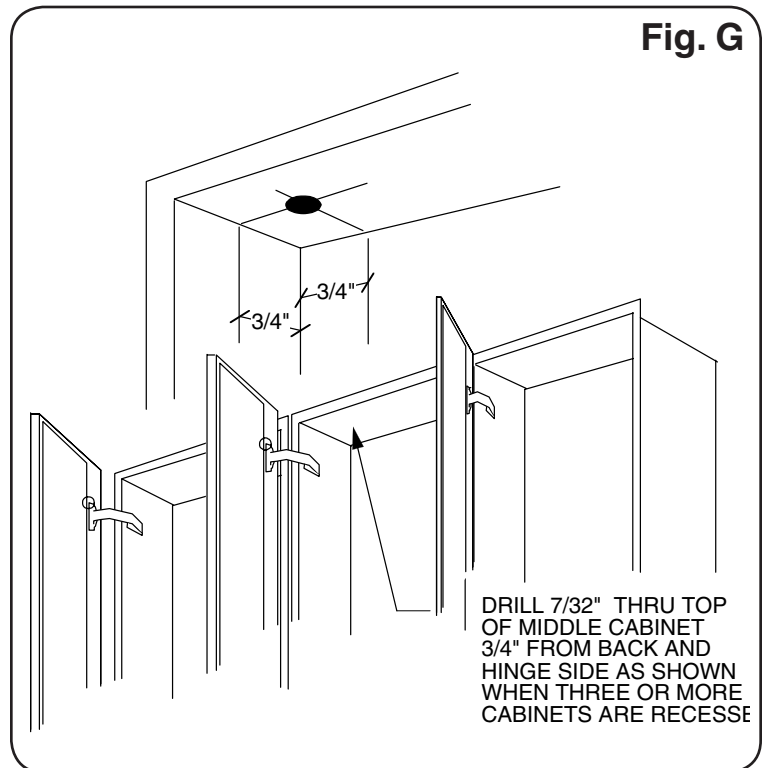
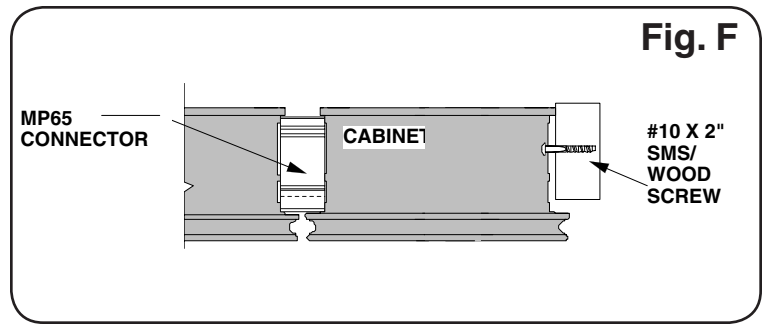


## Recess Cabinet Installation (See page 6 for Surface Instructions)

1. The rough opening must be at least 4" deep cabinets and must be framed on all 4 sides to insure a strong installation.
2. Place the single or connected boxes into the rough opening. Be sure the bottom is level. Install a #10 X 2" pan head screw through the top hole shown in figure E on page 3.
3. Be sure cabinet is square. Install screws as shown in figure E. Do not over tighten screws.
4. Place grey caps over screw heads.
5. Reinstall and adjust doors so that there is a gap of 1/8" between doors. This is very important.
6. Install shelf clips. These clips are designed for a tight fit. A slight twisting motion may be necessary. Install shelves as shown on page 7.
7. Open and close doors to check operation. On installation of the cabinets in combinations of three or more the center door when open may cause the cabinet to bow from the wall.

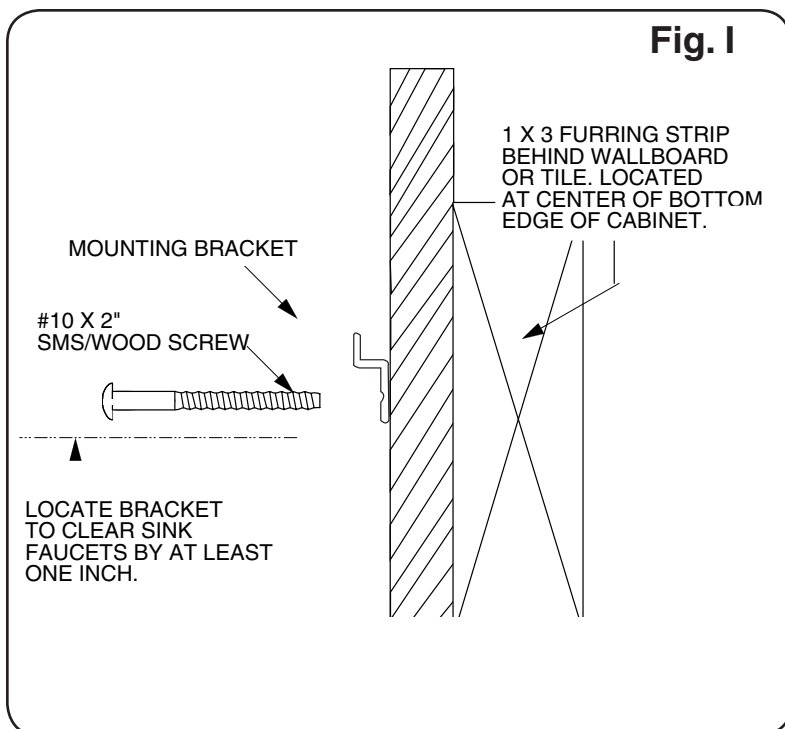
If this occurs install a #10 X 2" SMS/Wood screw and cap through a 7/32" hole drilled at the location shown in figure G.

8. When a MTL light fixture is installed, follow instructions in figure H. If center door causes bowing from the wall.



## Surface Mount Cabinet (See page 5 for Recessed Instructions.)

- Each cabinet is shipped with a 30" aluminum "Z" mounting bar. Cut this bar approximately 1" shorter than the overall width of your cabinet combination. If your combination is larger than 30", mount more than one piece on the wall.
- It is strongly recommended that a support similar to that used for a wall mounted sink be framed in the wall during construction as shown in figure B. A complete 3 door unit is 80lbs. empty.
- Drill a 7/32" hole through the indent line on the mounting bracket (See figure I.) at the stud or furring strip location. Use the plastic anchors supplied if no furring strip has been installed, making sure each cabinet is supported by at least three anchors. A three cabinet installation should have 9 anchors in the mounting bracket. Follow the Anchor instructions below for anchors supplied. Be sure mounting bar is level.



### Poly-set Anchor Instructions for Hollow Walls

- Drill 9/32" hole and insert anchor until flange is flush.
- Insert #10 X 2" SMS/wood screw through bracket and anchor. Continue to turn screw to fully expand the anchor according to the chart below.

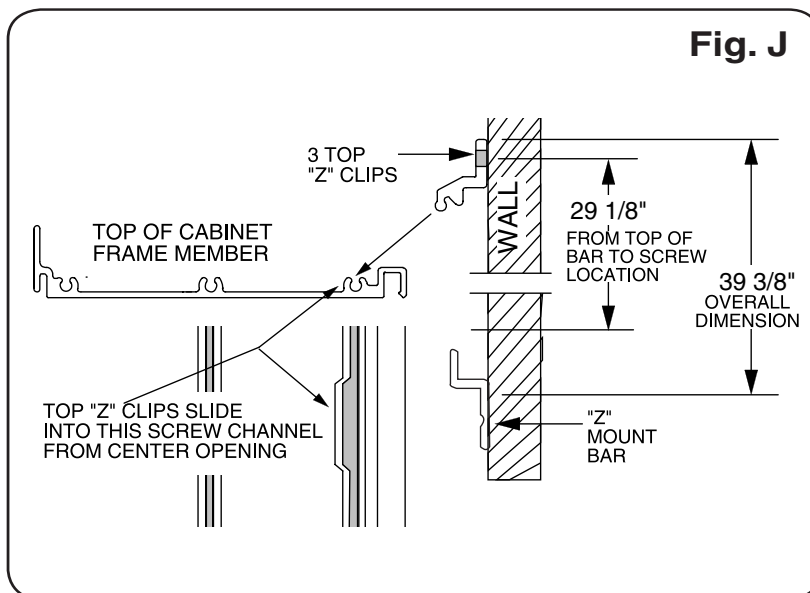
Total Wall Thickness	Turns after screw head is against bracket
1/2"	8-9 Turns
5/8"	6-7 Turns
3/4"	4-5 Turns



## Surface Mounting the Top of the Cabinet – Without Lights

(See page 6 for Surface mounting the cabinets with lights)

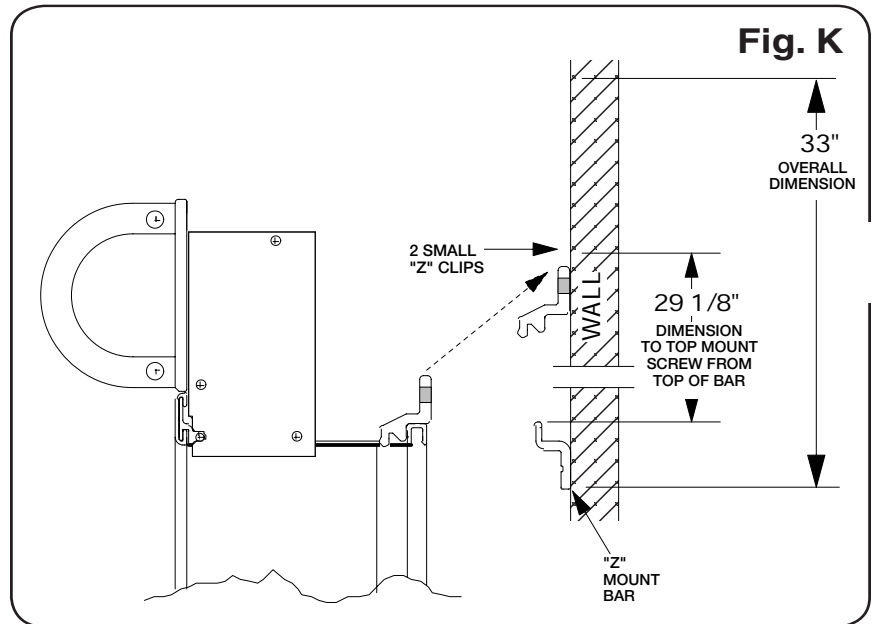
- Two small "Z" clips are supplied for the top of each cabinet. These clips slide into the screw channel on the top of the cabinet. Holes for the clips can be pre-drilled per dimensions shown in figure J.
- Mount the connected boxes into the bottom "Z" bracket. Tighten the top clips.
- The PLSK30 side kit is used to finish the sides of the surface mount installation. Use the #10 x 1/2" connector block screws as shown in figure L on page 6.
- Follow the instructions 4 – 6 for recessed installation on page 4.



## Surface Mounting the Top of the Cabinet – With Lights

(See page 5 for Surface mounting the cabinets without lights)

1. Two small “Z” clips are supplied for the top of each cabinet. These clips slide into the screw channel on the top of the cabinet. Holes for the clips can be pre-drilled per dimensions shown in figure J.
2. Mount the connected boxes into the bottom “Z” bracket. Slide the top clips down onto the cabinet. Tighten the screw with an offset screwdriver.
3. The PLSK30 side kit is used to finish the sides of the surface mount installation. Use the #10 x 1/2” connector block screws as shown in figure L. Extra mirrors to cover the sides of the light are supplied with the PLSK30 side kit. Refer to the instructions supplied with the side kit and light for installation instructions.
4. Follow the instructions 4 through 6 for recessed installation on page 4.



## Checklist • Care & Maintenance

### 1. Doors

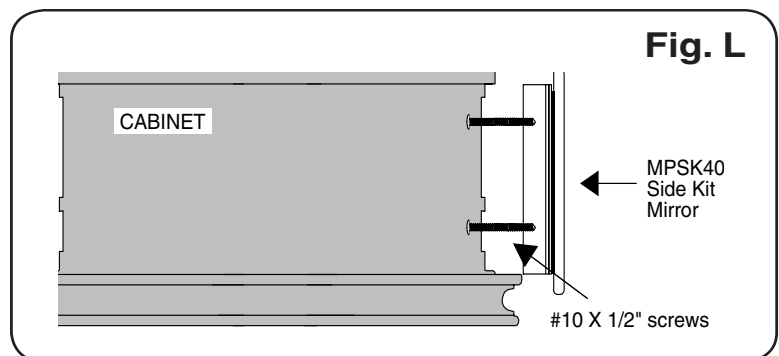
- A. The doors are provided with the three-way adjustment feature. Height, level, and fit to frame gasket can be adjusted. The use of a #2 Phillips screwdriver is recommended.

If door is out of level or too close to one side, adjust door left or right with screw 1 shown on page 3 in figure E.

If door is too high or too low, adjust door down or up with screw 2 shown on page 3 in figure E. This screw is inside the hinge and required the door to be opened to approximately 90° to access the screw.

If door opens stiffly, squeaks, or rubs against gasket, adjust door outwards with screw 3 shown on page 3 in figure E.

- B. Check the swing of the door, the hinges allow the door to swing 170° (3 door cabinets swing 100°). If door hits a wall or obstruction PL Bath has a 110° swing stop available through your dealer. Ask for part #666 D-110. Be sure to follow #7. Under recess installation P.4.



### 2. Cleaning

A. The cabinet door and interior are constructed of mirror and aluminum. Use only a damp cloth to clean. Spray the cloth, not the mirror when cleaning. Mirrors are damaged by the use of ammonia or vinegar based cleaners. Rubbing alcohol can be used for stubborn stains.

- B. Use no abrasive cleansers on any part of the cabinet. The gasket can be cleaned with a mild non-abrasive cleaner such as Bon Ami or Soft Scrub.

# robern®

---

**FILL IN YOUR SERIAL NUMBERS AND MODEL NUMBERS HERE:**

MODEL # _____	SERIAL# _____
MODEL # _____	SERIAL# _____
MODEL # _____	SERIAL# _____
MODEL # _____	SERIAL# _____
MODEL # _____	SERIAL# _____
MODEL # _____	SERIAL# _____