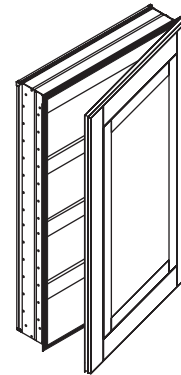


Features

- Recess or surface mount
- Mirrored doors and interior, matte silver interior
- 3-way adjustable concealed hinge system
- SAFESEAL™ gasket frame
- Patented swing-out magnifying mirror
- Rust-free aluminum construction
- Left or right hinge door available
- Three adjustable glass shelves
- Layered glass creates a sophisticated showpiece
- Available in tinted gray mirror or tinted white glass
- Electric feature includes two duplex 15 A, 110 VAC GFCI outlets
- 19-1/4" (48.9 cm) x 30" (76.2 cm) x 5" (12.7 cm)

WITH ELECTRIC
MT20D4CDGRE
ALSO MT20D4CDGLE,
MT20D4CDWRE, MT20D4CDWLE



Codes/Standards Applicable

Specified model meets or exceeds the following:

- Electrical options are UL listed for damp locations

Specified Model

Model	Description	
MT20D4CDGRE	Tinted gray mirror, right-hand, electric	<input type="checkbox"/>
MT20D4CDGLE	Tinted gray mirror, left-hand, electric	<input type="checkbox"/>
MT20D4CDWRE	White glass, right-hand, electric	<input type="checkbox"/>
MT20D4CDWLE	White glass, left-hand, electric	<input type="checkbox"/>
NOTE: Hardware required for installing cabinets side-by-side is included.		

Required Accessories - For Surface-Mount Installations Only		
MTSK30D4G	Tinted gray mirror side kit	<input type="checkbox"/>
MTSK30D4W	White glass side kit	<input type="checkbox"/>
Refer to the Price Guide for additional side kit colors and finishes		

Optional Accessories		
SLB20D4	Safety-lock box	<input type="checkbox"/>
MLLWCDG	Candre™ single wall sconce with tinted gray mirror backplate	<input type="checkbox"/>
MLLWCDW	Candre™ single wall sconce with white glass backplate	<input type="checkbox"/>
Frames, light options, and additional accessories are also available. Refer to the Price Guide for more information.		

CANDRE™ CABINET

Technical Information

Roughing-in opening	18-1/2" (47 cm) x 29-1/4" (74.3 cm) x 4" (10.2 cm)
Door opening angle	170°

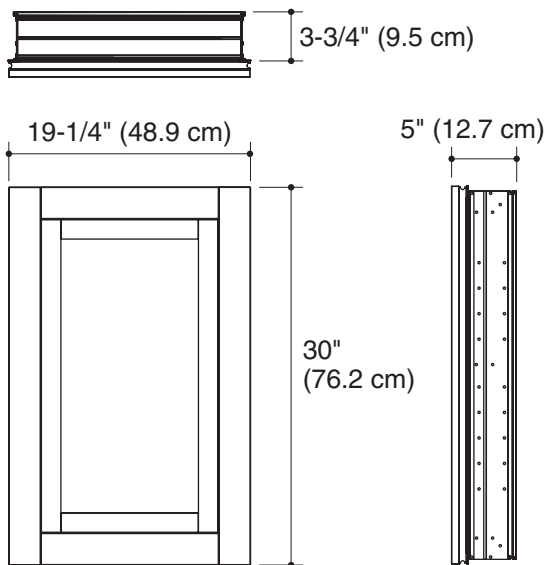
Installation Notes

Install this product according to the installation guide.

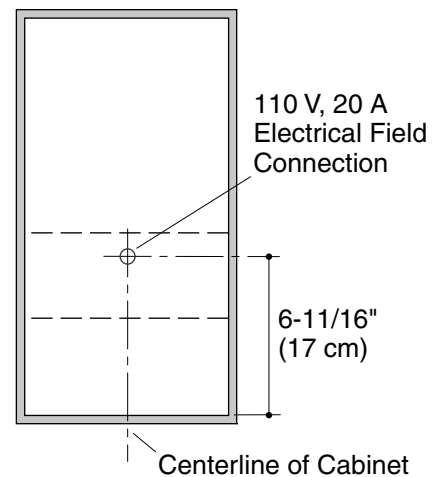
When determining the height of the mirrored cabinet, ensure the mirrored door will clear all obstacles, such as a faucet. A minimum distance of 1" (2.5 cm) is required.

Secure the screws (provided) to a stud to avoid possible property and product damage. If this is not possible, anchors (provided) must be inserted before installing the screws.

Recessed cabinets project 1-1/4" (3.2 cm) from wall.



Electrical Connection Detail (Rear View)



Product Diagram